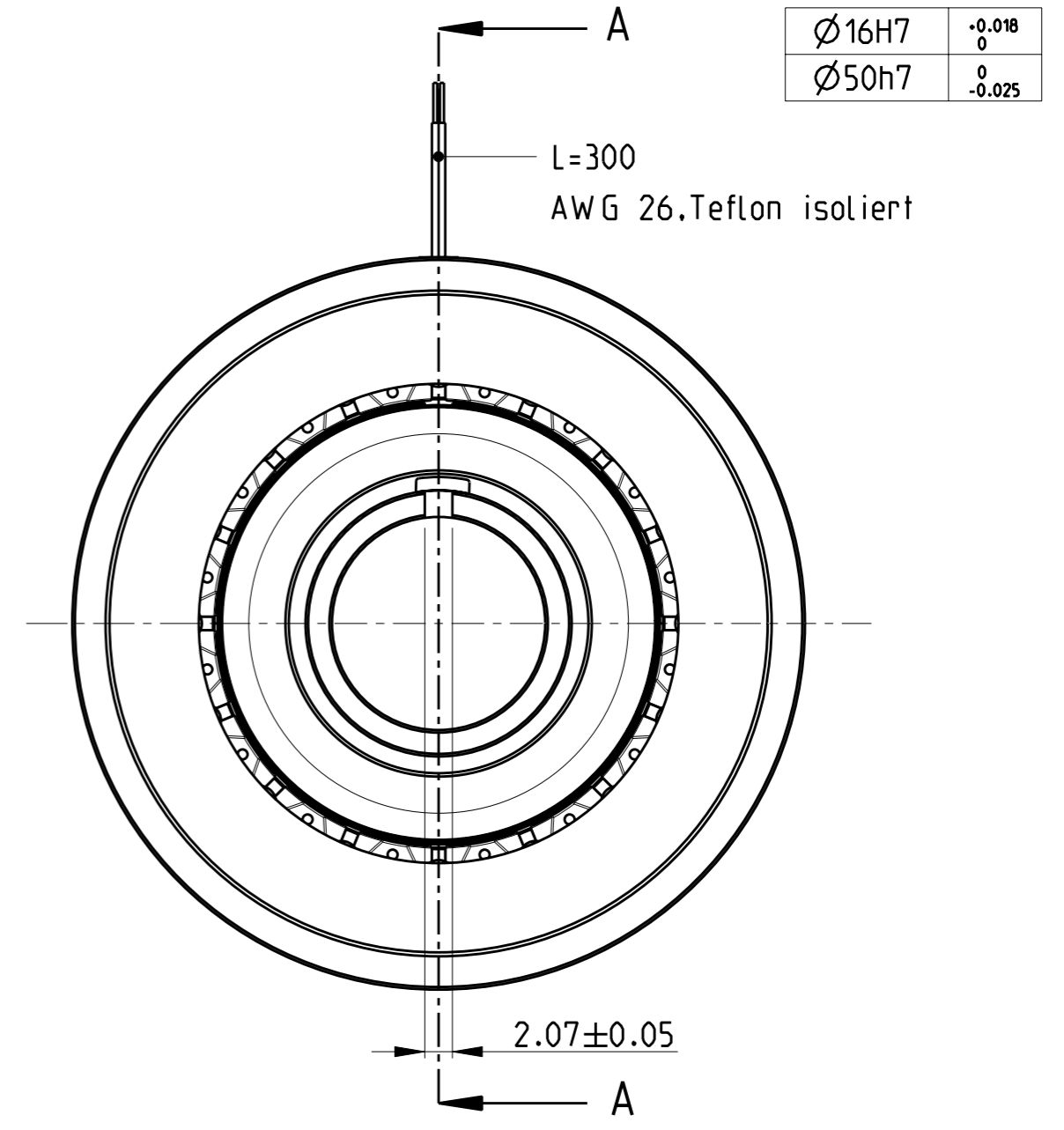
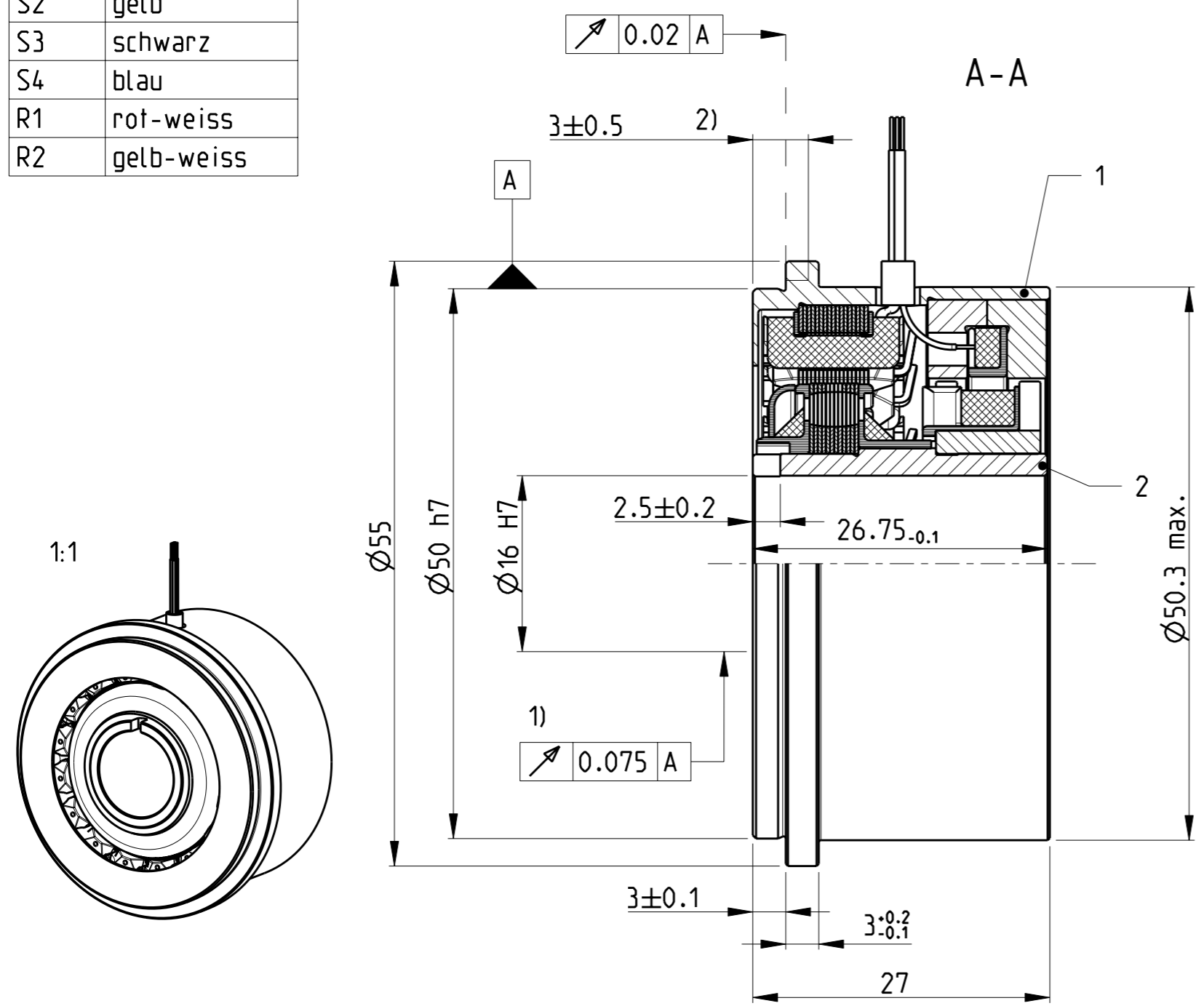


THIS DRAWING IS UNPUBLISHED. RELEASED FOR PUBLICATION 2005  
 © COPYRIGHT 2005 BY TYCO ELECTRONICS CORPORATION. ALL RIGHTS RESERVED.

LOC	DIST	REVISIONS			
P	LTR	DESCRIPTION	DATE	DWN	APVD
A1	-	New Drawing	25AUG2005	Kr	An
A2	-	ECR-06-017801	24 JUL 2006	Kr	An
C1	-	ECR-09-018278	20OCT2009	Ma	An

Signal	Aderfarbe
S1	rot
S2	gelb
S3	schwarz
S4	blau
R1	rot-weiss
R2	gelb-weiss



1) Gesamtschlag im eingebauten Zustand  
 2) Axialversatz

ITEM NO	PARTNUMBER	DESCRIPTION	ITEM NO
1	1-1824348-0	Rotor kpl. / Bauform B2 (12N)	2
1	1-1824206-0	Gehäuse kpl. / Bauform T2	1
REVISION OF EACH ASSY NO. (WHEN BLANK, USE DWG. REVISION)			
PARTS LIST			

DIMENSIONS: mm		TOLERANCES UNLESS OTHERWISE SPECIFIED:	
0 PLC	±	1 PLC	±
2 PLC	±	3 PLC	±
3 PLC	±	4 PLC	±
ANGLES	±		
MATERIAL	-	FINISH	-

DWN	Kraus	03MAY2005	<b>tyco</b> tyco Electronics AMP GmbH	
CHK	-	-	D - 67346 Speyer	
APVD	Andrae	24 JUL 2006	NAME	
PRODUCT SPEC			Massbild Hohlwellendrehmelder	
APPLICATION SPEC			Dimensional Drawing Resolver	
WEIGHT			V23401-T2009-B202	
SIZE	A3	CAGE CODE	00779	DRAWING NO
CUSTOMER DRAWING		DRAWING NO	C-4-1393048-2	
SCALE	2:1	SHEET	1	OF 1
REV				C1

单击下面可查看定价，库存，交付和生命周期等信息

[>>TE Connectivity\(泰科\)](#)