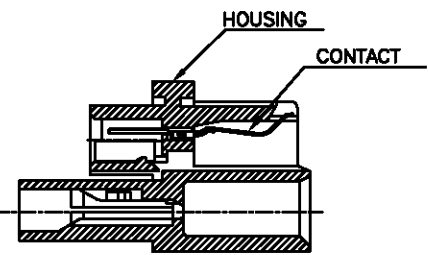
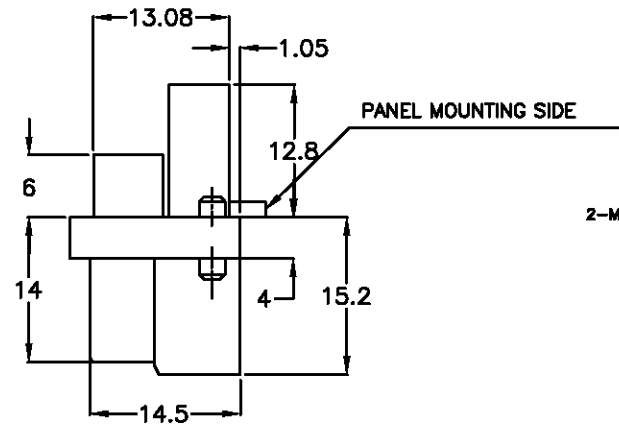
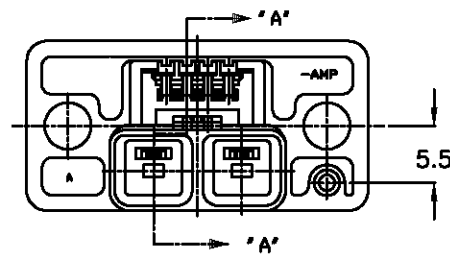
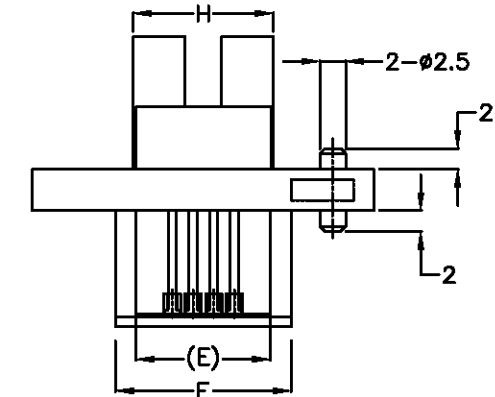
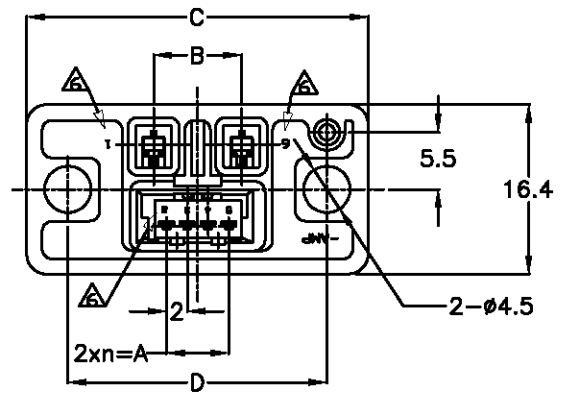
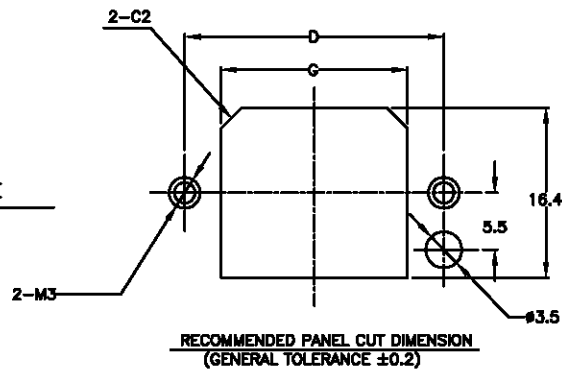


THIS DRAWING IS UNPUBLISHED. RELEASED FOR PUBLICATION
 © COPYRIGHT BY TYCO ELECTRONICS CORPORATION. ALL RIGHTS RESERVED.

LOC	DIST	REVISIONS			
P	LTR	DESCRIPTION	DATE	DWN	APVD
ES	00	A	REVISED FB00-0217-04	16DEC04	H.H I.E



- NOTES:
- 1. MATERIAL: HOUSING: THERMOPLASTIC, COLOR: BLACK 94V-0
 CONTACT: COPPER ALLOY
 FINISH: MATING SIDE: PLATE NICKEL OVERALL PLATE COLD
 CT SIDE: PLATE NICKEL ALL OVER MATTE TIN PL.
 - 2. USE UP CONTACT 175149-X, 175150-X
 - 3. RECOMMENDED PANEL CUT DIMENSION



- 4. MATING CONN: 292184-1
- 5. USE CT REC. CONN: 173977-X(MT CONN), 175778-X(CRIMP HSG)
 175102-X & 175161-X (CRIMP CONTACT)
- 6. CIRCUIT NO: SEE TABLE

1,2,3,4,5,6	13.5	18	17	13	25	33	8.5	6	3	6	292180-1
CIRCUIT NO	H	G	F	E	D	C	B	A	n	Pos.	PART NUMBER

TOLERANCES UNLESS OTHERWISE SPECIFIED		DIMENSIONS: MM		THIS DRAWING IS A CONTROLLED DOCUMENT.		DRN: J. JIANG		Tyco Electronics Corporation	
10> : ±0.2	30>>10 : ±0.25	0 PLC ±0.15	1 PLC ±0.15	DRAWN BY: S. YAO		OSFEB03		Shanghai, P.R.China, 200233	
100>>30 : ±0.3	ANGLE : ±3°	2 PLC ±0.15	3 PLC ±0.15	APVD: T. SASAKI		OSFEB03		NAME: CAP ASS'Y WITHOUT COMMONING TAB FOR HYBRID MINI-DRAWER CONNECTOR	
		4 PLC ±0.15	ANGLES ±1°	PRODUCT SPEC: 108-60022		APPLICATION SPEC		SIZE: A3	
MATERIAL: SEE NOTES		FINISH: SEE NOTES		WEIGHT		CAGE CODE: 00779		DRAWING NO: C=292180	
				CUSTOMER DRAWING		SCALE: 2:1		SHEET 1 OF 1	

单击下面可查看定价，库存，交付和生命周期等信息

[>>TE Connectivity\(泰科\)](#)