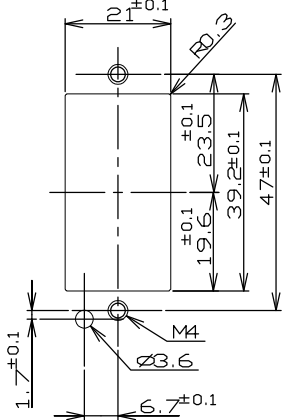
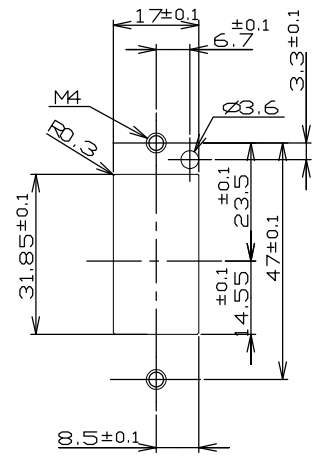
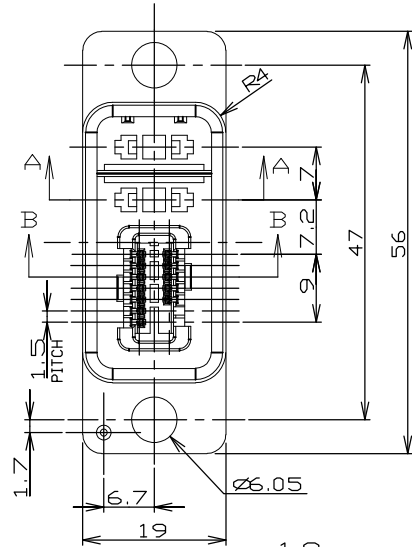
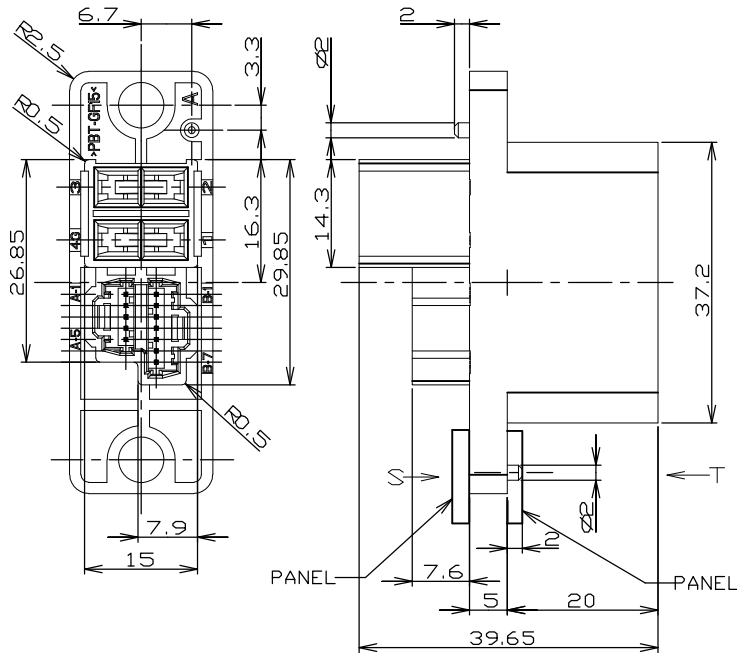
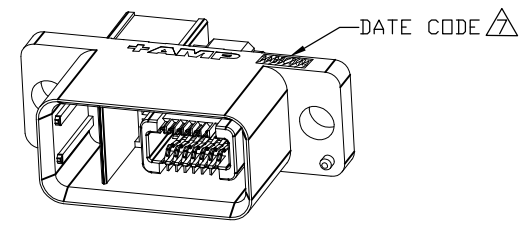
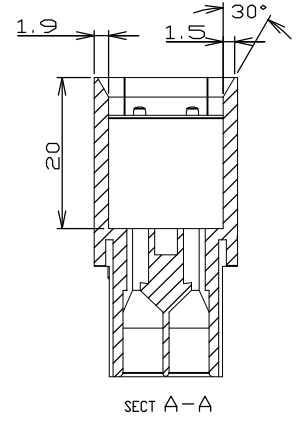
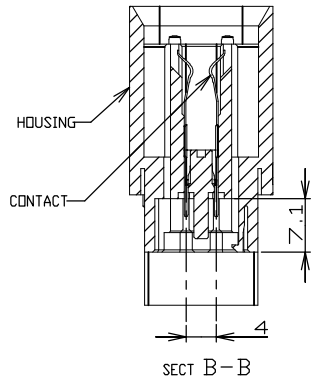


P	LTR	DESCRIPTION	DATE	DWN	APVD
C1		REVISED ECR-07-028230	26NOV07	A.L	S.Y



PANEL CUT DIMENSIONS (CONNECTOR MATING SIDE)



SCALE 6:5

NOTES:  
 ① USE WITH M.T. REC. CONN P/N: X-353293-X  
 CRIMP HSG P/N: X-353908-X  
 CRIMP CNT P/N: 353907-1  
 353918-1(L/P)

2. APPLICABLE POWER CONTACT P/N

FINISH	AWG	STRIP	LOOSE PIECE
GOLD	#16-20	179321-3	
PLT	#20-24	179322-3	
TIN	#16-20	179321-2	
PLT	#20-24	179322-2	

△ MATERIAL:  
 HOUSING: PBT GF. UL94V-0 COLOR: BLACK  
 SIGNAL CONTACT: PHOSPHOR BRONZE

△ FINISH:  
 CONTACT: NICKEL UNDERPLATE ALL OVER  
 CONTACT AREA: GOLD PLATE.  
 POST AREA: MATTE TIN PLATE.

△ P: NUMBER OF POWER CONTACT (UNASSEMBLED)  
 S: NUMBER OF SIGNAL CONTACT (ASSEMBLED)  
 M: MATING COUNTER P/N: N1-292240-2

△ LOCATION OF DATE CODE (PRINTED BY HOT-BAR): AABBCD(N)  
 (AA: YEAR, BB: WEEK, C: DAY OF WEEK, D: DAYTIME, N: NIGHT)

TOLERANCES UNLESS OTHERWISE SPECIFIED:

10 > : ±0.2  
 30 > \* > 10 : ±0.25  
 100 > \* > 30 : ±0.3  
 ANGLE : ±3°

THIS DRAWING IS A CONTROLLED DOCUMENT FOR TYCO ELECTRONICS CORPORATION IT IS SUBJECT TO CHANGE AND THE CONTROLLING ENGINEERING ORGANIZATION SHOULD BE CONTACTED FOR THE LATEST REVISION.

DIMENSIONS:	TOLERANCES UNLESS OTHERWISE SPECIFIED:	DWN	31JAN03	Tyco Electronics Corporation Shanghai, PRC
MM	0 PLC ± 1 PLC ± 2 PLC ± 3 PLC ± 4 PLC ± ANGLES ±	CHK	31JAN03	
		APVD	31JAN03	
		NAME	T.SASAKI	
MATERIAL	SEE NOTE △	PRODUCT SPEC	108-60027	PLUG ASS'Y for 1.5mm PITCH MINI CT HYBRID DRAWER CONNECTOR
		APPLICATION SPEC	114-5182	
		WEIGHT	A300779	RESTRICTED TO
		CUSTOMER DRAWING	C=292239	

SCALE: NON SHEET 1 OF 1 REV C1

单击下面可查看定价，库存，交付和生命周期等信息

[>>TE Connectivity\(泰科\)](#)