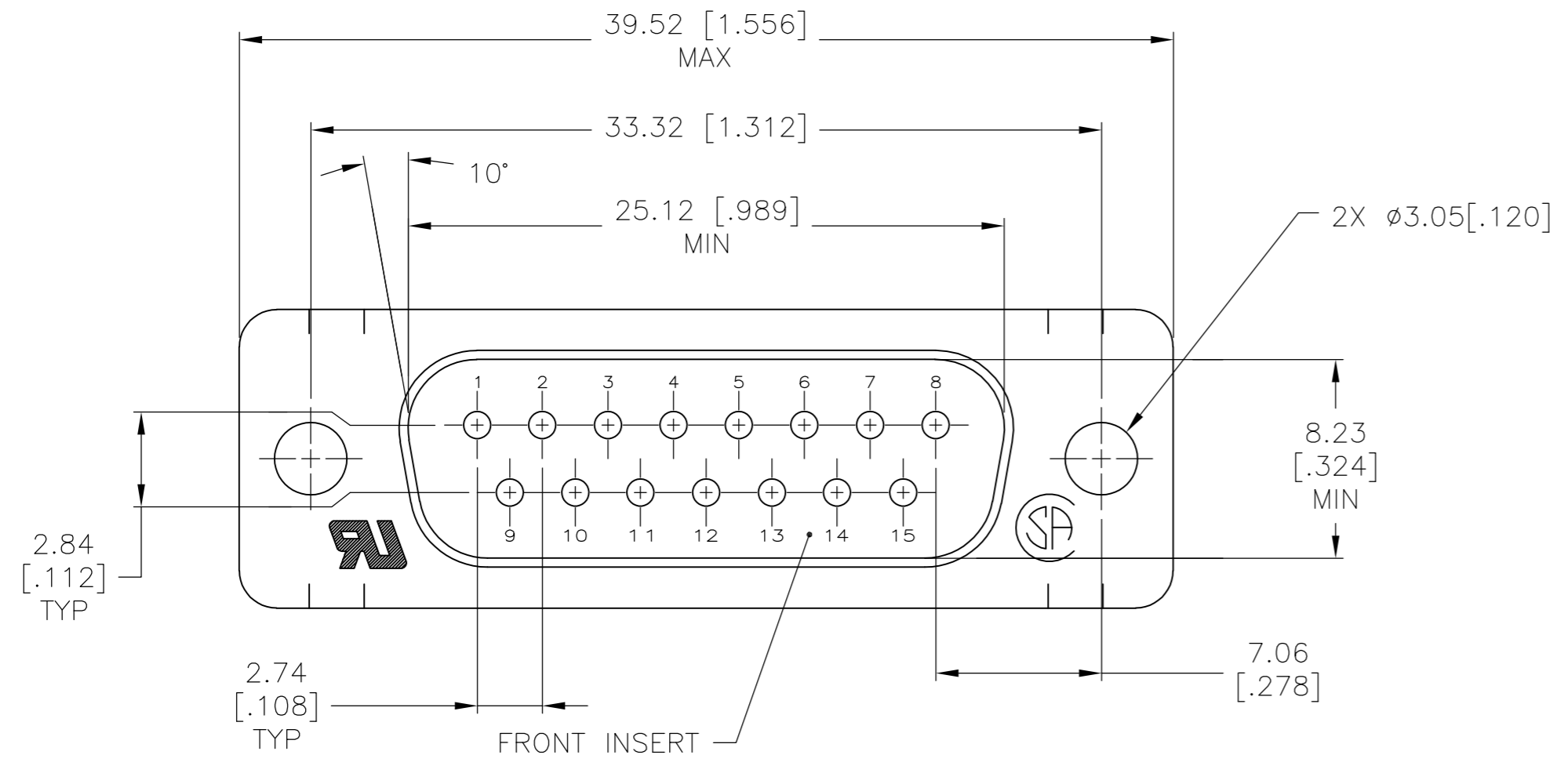


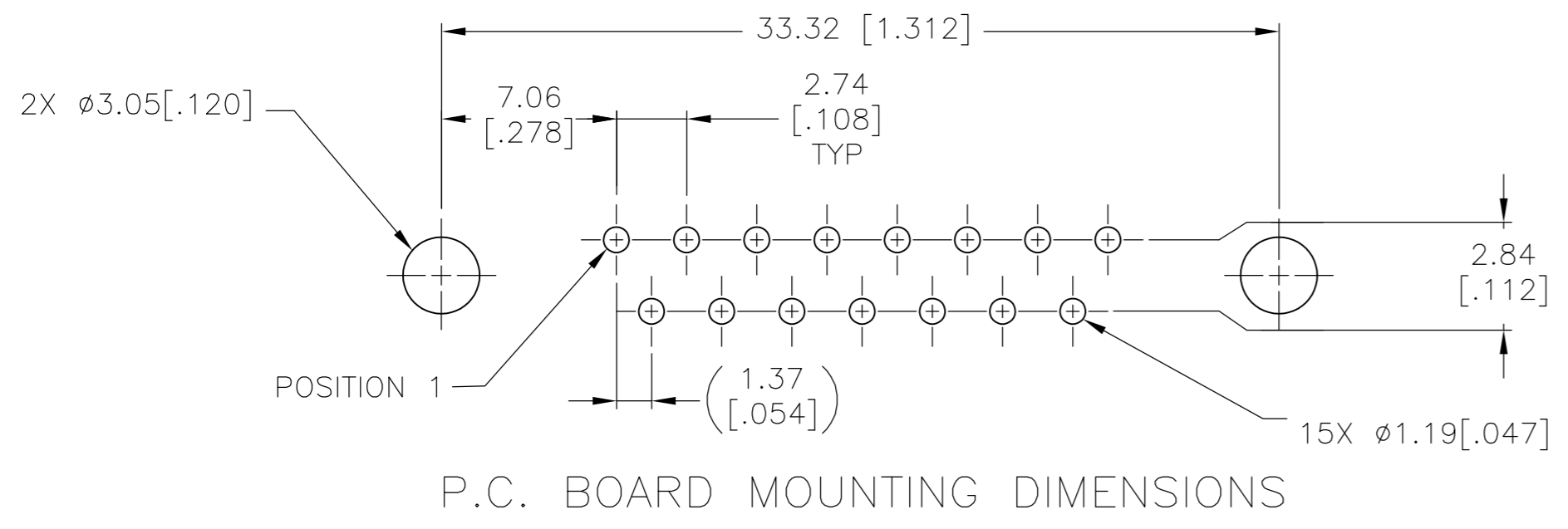
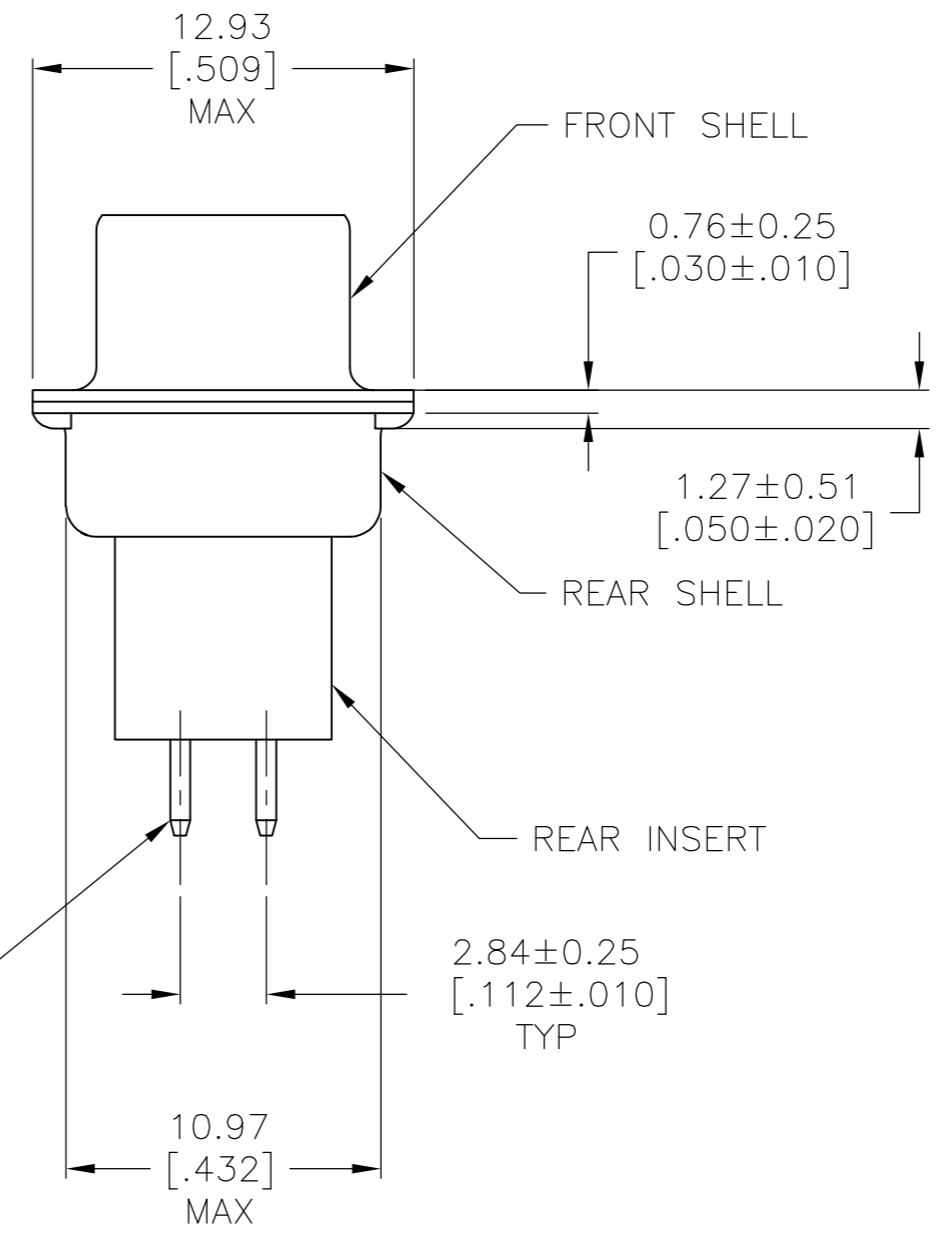
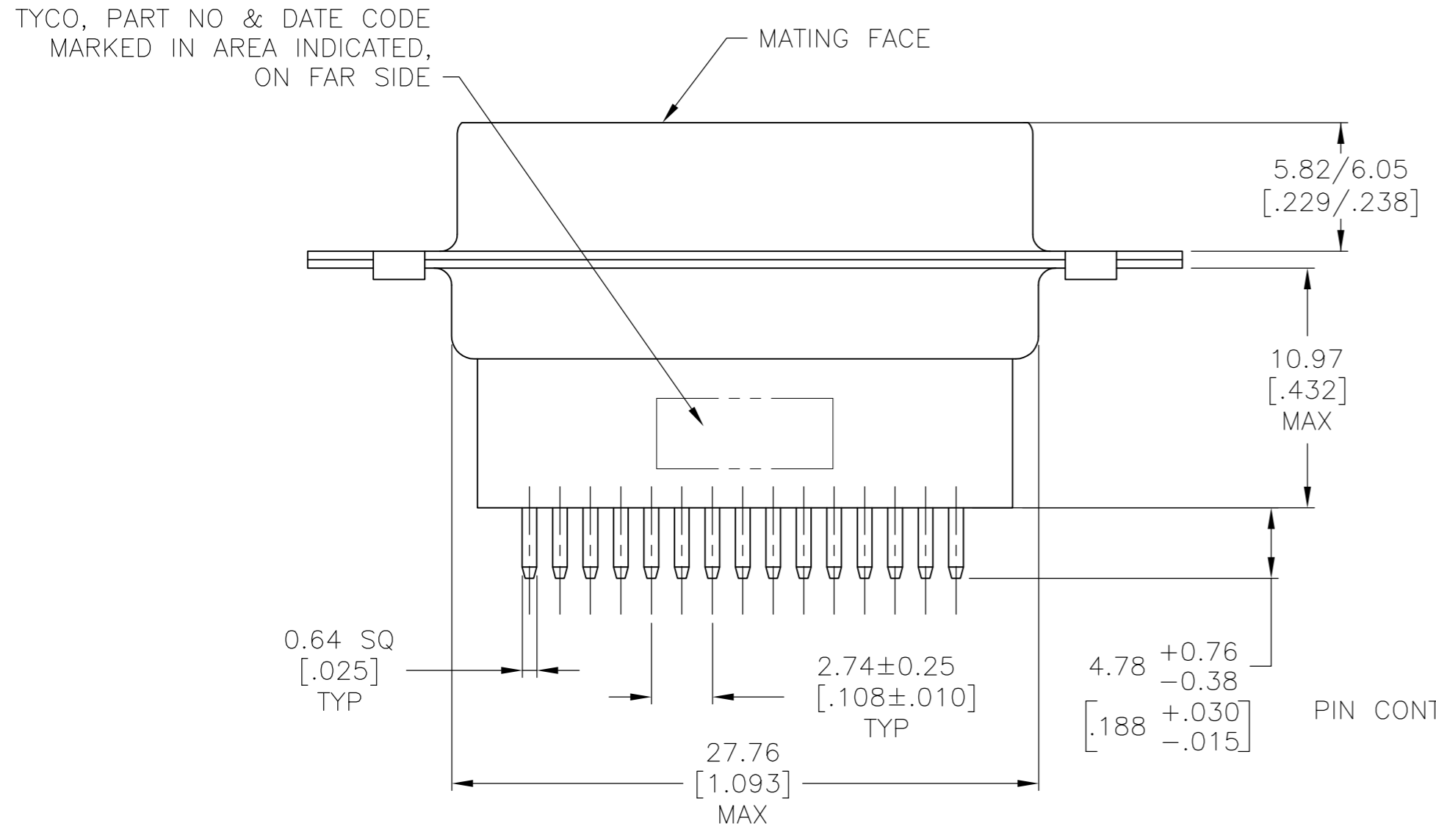
THIS DRAWING IS UNPUBLISHED. RELEASED FOR PUBLICATION
 © COPYRIGHT 2005 By - ALL RIGHTS RESERVED.

LOC		DIST		REVISIONS			
GP	00	P	LTR	DESCRIPTION	DATE	DWN	APVD
		D		REVISED PER ECO-14-011808	09AUG2014	AP	SB



⚠ MOLDDED PARTS: GLASS-FILLED PBT OR GLASS-FILLED NYLON, UL94V-0 RATED. COLOR: BLACK
 SHELLS: CARBON STEEL
 CONTACTS: BRASS

⚠ SHELLS: 5.08µm [.000200] MIN ZINC WITH YELLOW CHROMATE COATING.
 CONTACTS: GOLD PLATED FOR LENGTH OF 3.81 [.150] MIN FROM MATING END, 0.76µm [.000030] MIN GOLD IN MATED AREA, 2.54µm [.000100] MIN TIN ON SOLDER END, BOTH OVER 1.27µm [.000050] MIN NICKEL.
 OR
 GOLD FLASH OVER PALLADIUM-NICKEL PLATED FOR LENGTH OF 3.81 [.150] MIN FROM MATING END, 0.76µm [.000030] MIN TOTAL IN MATED AREA, 2.54µm [.000100] MIN TIN ON SOLDER END, BOTH OVER 1.27µm [.000050] MIN NICKEL.



5205735-7
 PART NUMBER

THIS DRAWING IS A CONTROLLED DOCUMENT.		DWN	B. LATTUCA	02SEPT05		TE Connectivity		
DIMENSIONS: mm [INCHES]		CHK	S. BOLASH	02SEPT05		NAME		
TOLERANCES UNLESS OTHERWISE SPECIFIED:		APVD	M. WALMSLEY	02SEPT05		PLUG ASSY, SIZE 2, 15 POS, VERTICAL, AMPLIMITE HDP		
0 PLC ± -		PRODUCT SPEC	108-40025	SIZE				
1 PLC ± -		APPLICATION SPEC	114-40013	CAGE CODE		DRAWING NO	RESTRICTED TO	
2 PLC ± 0.13 [.005]		MATERIAL	1	WEIGHT		SCALE	SHEET	
3 PLC ± -		FINISH	2	CUSTOMER DRAWING		NTS	1 of 1	
4 PLC ± -		MATERIAL		WEIGHT		REV		
ANGLES ± 2°		MATERIAL		WEIGHT		REV		

单击下面可查看定价，库存，交付和生命周期等信息

[>>TE Connectivity\(泰科\)](#)