

THIS DRAWING IS UNPUBLISHED.

RELEASED FOR PUBLICATION

ALL RIGHTS RESERVED.

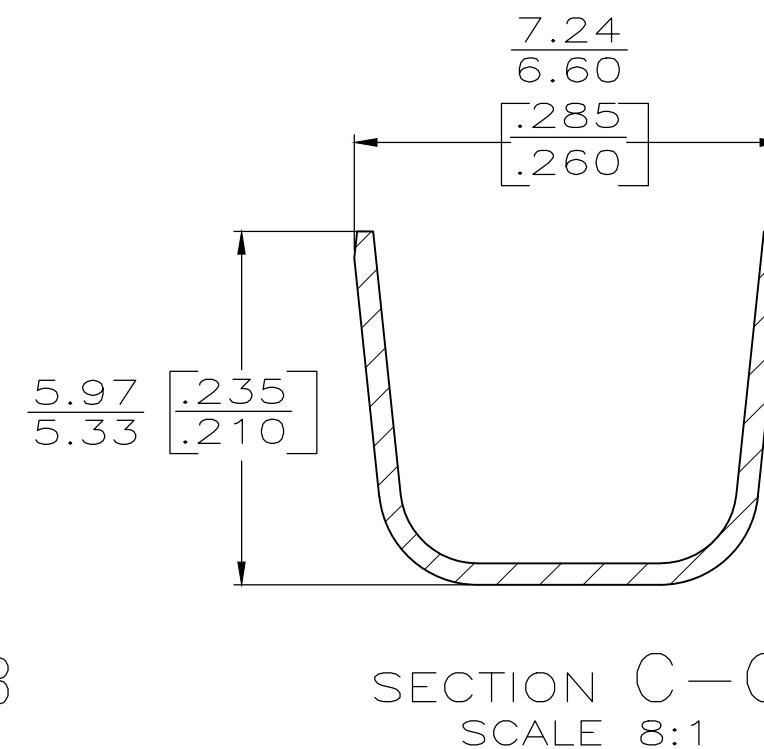
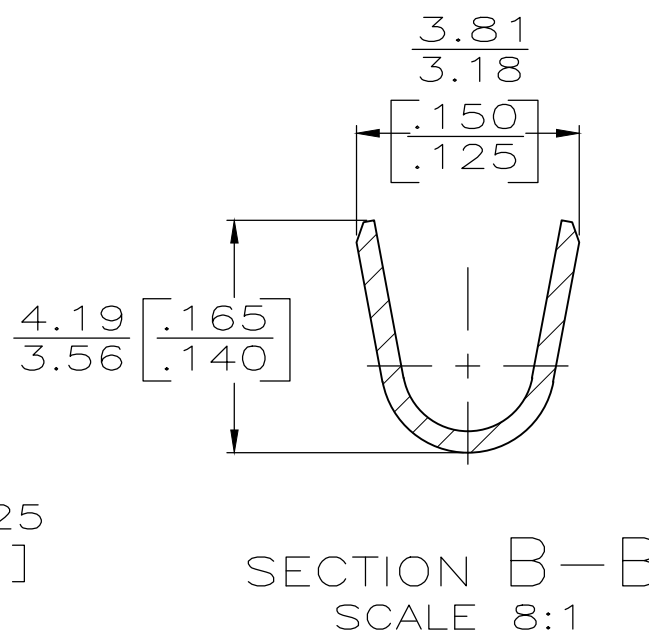
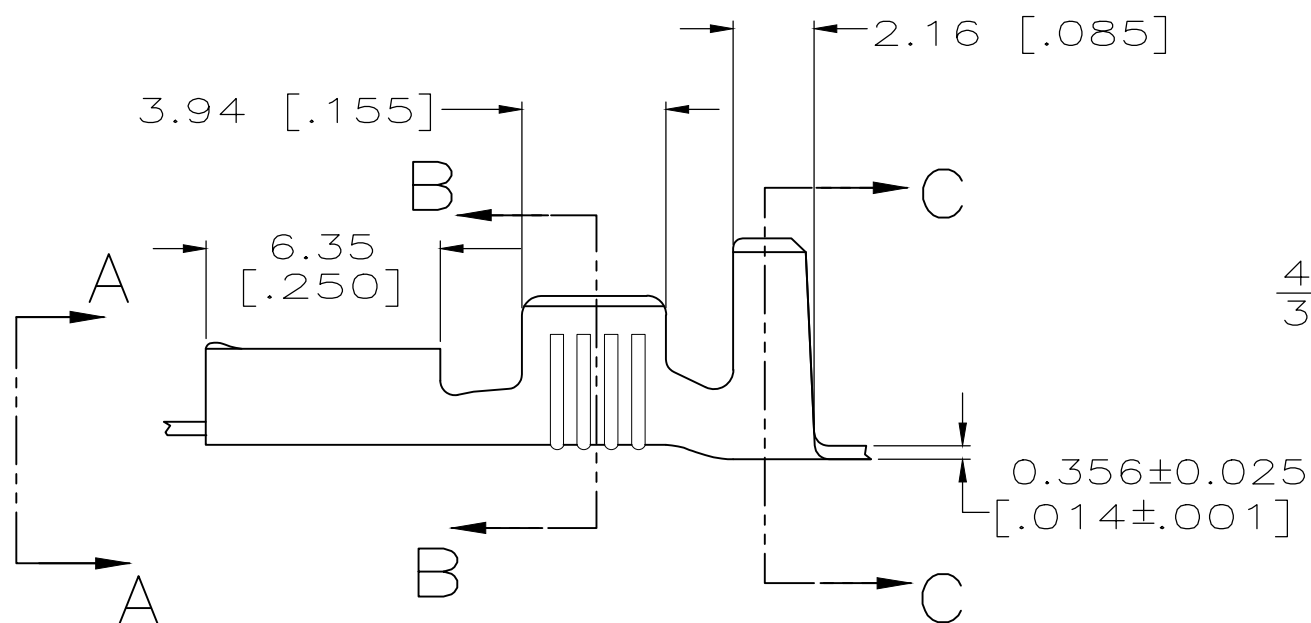
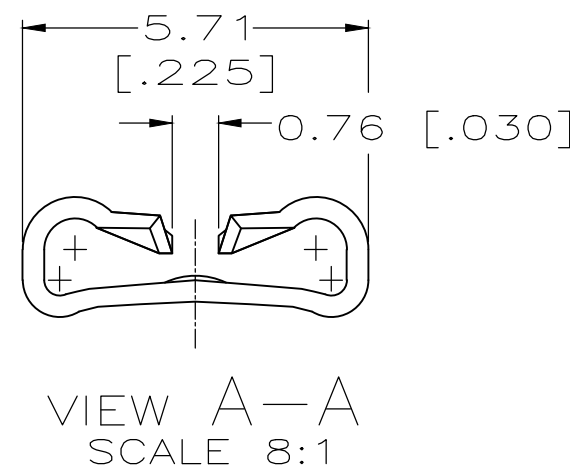
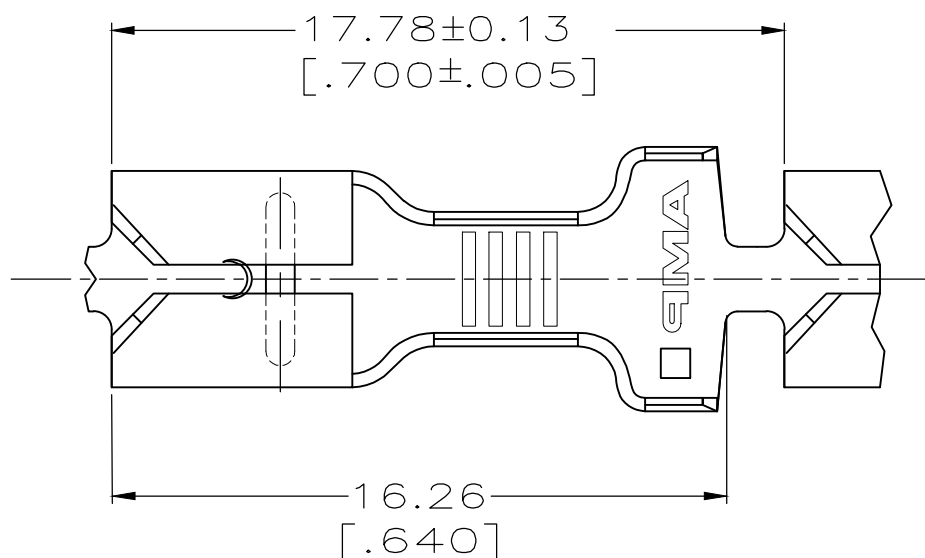
© COPYRIGHT - By -

LOC AF DIST 50

REVISIONS

P	LTR	DESCRIPTION	DATE	DWN	APVD
E		REVISED PER ECR-12-013518	24NOV12	KH	PD
E1		REVISED PER ECR-20-002506	24FEB2020	MK	TD

- 1 CONTINUOUS STRIP ON REELS.
  - 2 MATING TAB THK TO BE  $0.635 \pm 0.025$  [.025 ± .001]
  - 3 WIRE SIZE IS [#18-#14]AWG, OR TWO [#16'S].
  - 4 INSULATION RANGE IS 4.57-5.84 TWO AT 2.79 MAX, [.180-.230] OR TWO AT [.110 MAX].
- 5 OBSOLETE PARTS: OBSOLETE CIS STREAMLINING PER D.RENAUD/D.SINISI



5 OBSOLETE	TIN	63832-2
	-	63832-1
	FINISH	PART NUMBER

THIS DRAWING IS A CONTROLLED DOCUMENT.		DWN JR RUTH 3/17/95	TE Connectivity			
DIMENSIONS: mm [INCHES]		CHK MS FEHER 3/17/95				
TOLERANCES UNLESS OTHERWISE SPECIFIED:		APVD P DESANTIS 3/17/95	NAME RECEPTACLE, FASTON,™ 4.75 [.187] SERIES			
0 PLC ± - 1 PLC ± - 2 PLC ± 0.25 [.010] 3 PLC ± - 4 PLC ± - ANGLES ± -		PRODUCT SPEC -	RESTRICTED TO -			
MATERIAL BRASS		FINISH SEE TABLE	APPLICATION SPEC 114-2036	SIZE A3	CAGE CODE 00779	DRAWING NO C-63832
CUSTOMER DRAWING			WEIGHT -	SCALE 5:1	SHEET 1 OF 1	REV E1

单击下面可查看定价，库存，交付和生命周期等信息

[>>TE Connectivity\(泰科\)](#)