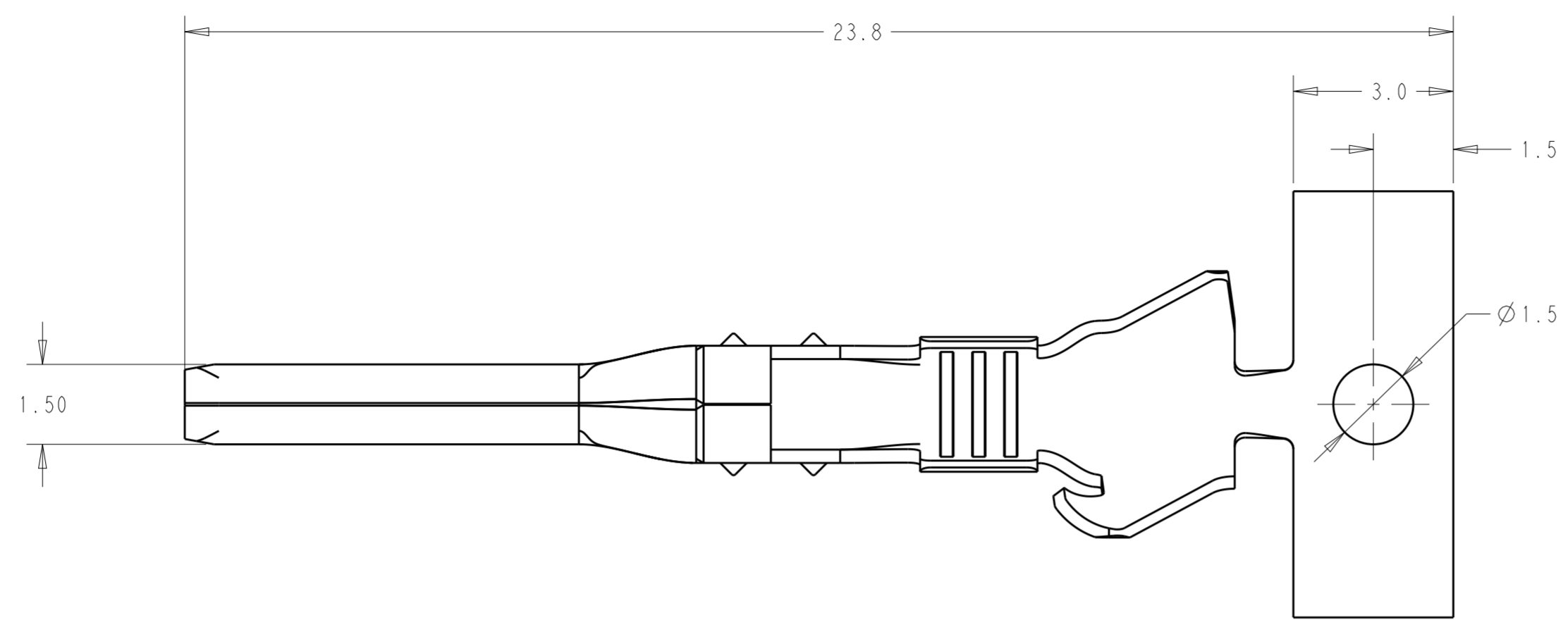
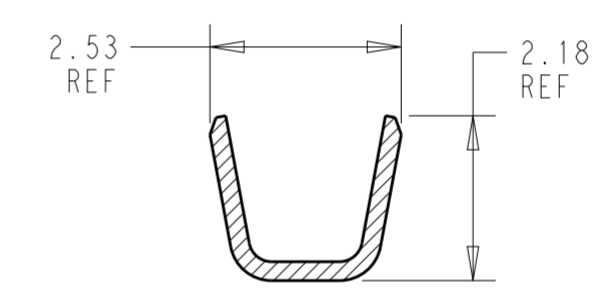
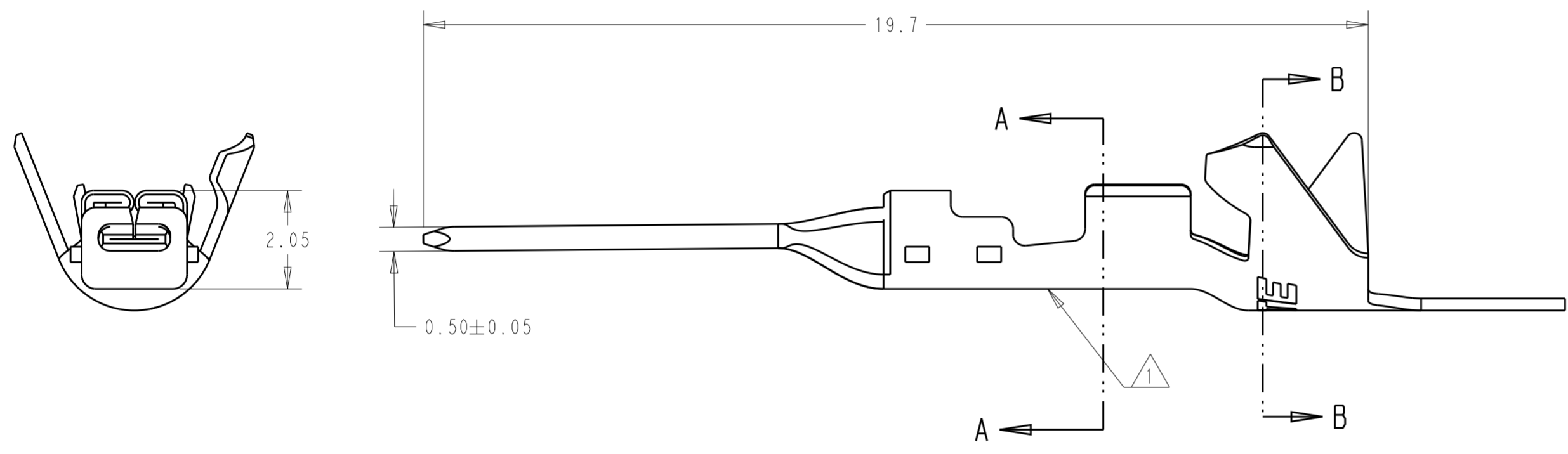


THIS DRAWING IS UNPUBLISHED. RELEASED FOR PUBLICATION 2017
 © COPYRIGHT 2017 BY - TE CONNECTIVITY ALL RIGHTS RESERVED.

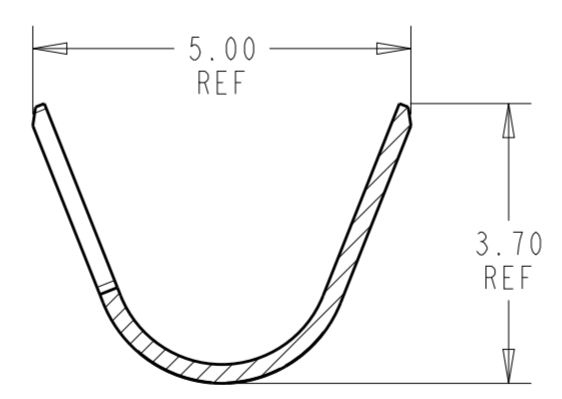
REVISIONS				
P	LTR	DESCRIPTION	DATE	APVD
A		RELEASED PER ECO-19-013549	04SEP2019	BKW GJ
A1		REVISED PER ECR-20-100211	06AUG2020	JP VS



- 1. MATERIAL MARK
- 2. WIRE: AWG 18-20 COPPER STRANDED
- 3. INSULATION DIA RANGE: 1.7~2.8mm
- 4. SUPPLIED CONTINUOUS ON REELS
- 5. PRELIMINARY - NOT FOR PRODUCTION



SECTION A-A



SECTION B-B

MO	HIGH CONDUCTIVE COPPER ALLOY	HIGH TEMP (140°C)	5 2329908-2
M1	BRASS	STANDARD TEMP (105°C)	2329908-1
MATERIAL MARK 1	MATERIAL	TEMPERATURE RATING	PART NUMBER

THIS DRAWING IS A CONTROLLED DOCUMENT.

DIMENSIONS: mm	TOLERANCES UNLESS OTHERWISE SPECIFIED:	DWN: 26MAR2018 BASAVARAJA D A	TE Connectivity
0 PLC ±	1 PLC ±0.40	CHK: 26MAR2018 S. FERNANDES	
2 PLC ±0.30	3 PLC ±	APVD: 26MAR2018 C YI	
4 PLC ±	ANGLES ±3°	PRODUCT SPEC: 108-143081	NAME: POWER VERSA-LOCK TAB TERMINAL WIRE SEAL 18-20 AWG
MATERIAL: SEE TABLE	FINISH: PRE-PLATED Sn	APPLICATION SPEC: 114-143082	SIZE: A2
		WEIGHT: -	CAGE CODE: -
		CUSTOMER DRAWING	DRAWING NO: C-2329908
			RESTRICTED TO: -
			SCALE: 10:1 SHEET 1 OF 1 REV A1

单击下面可查看定价，库存，交付和生命周期等信息

[>>TE Connectivity\(泰科\)](#)