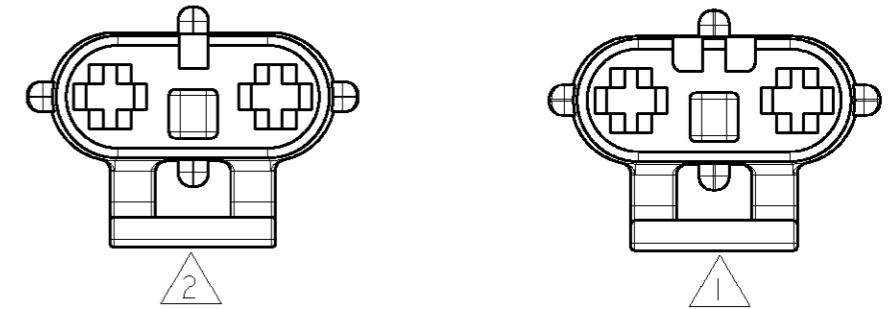
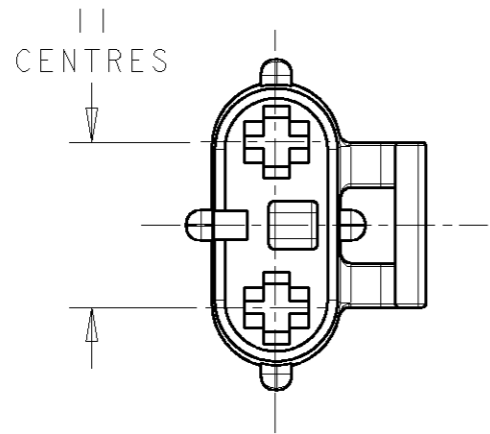
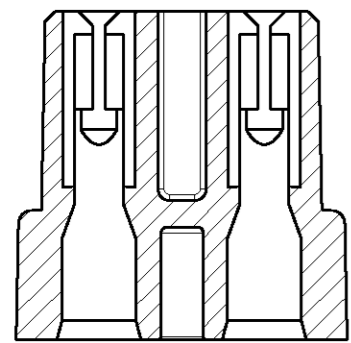


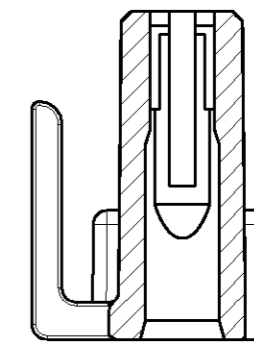
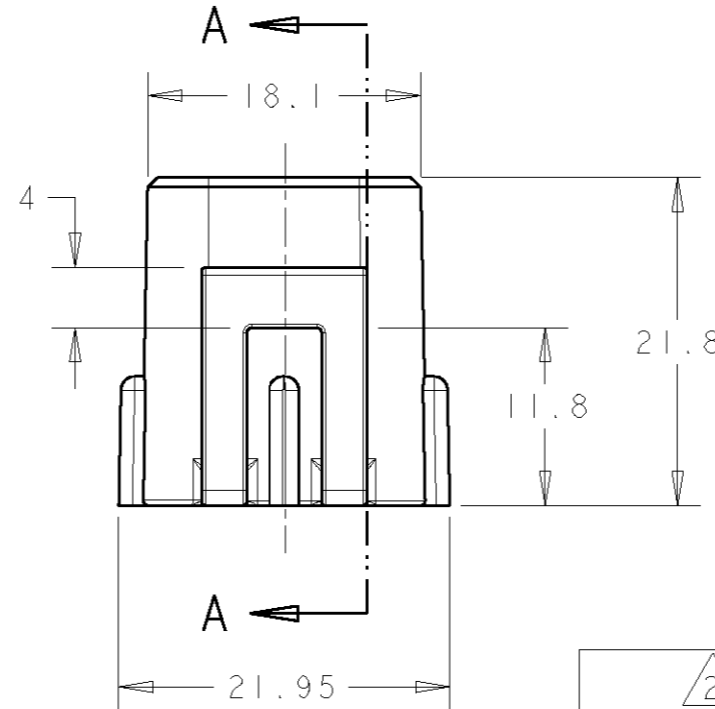
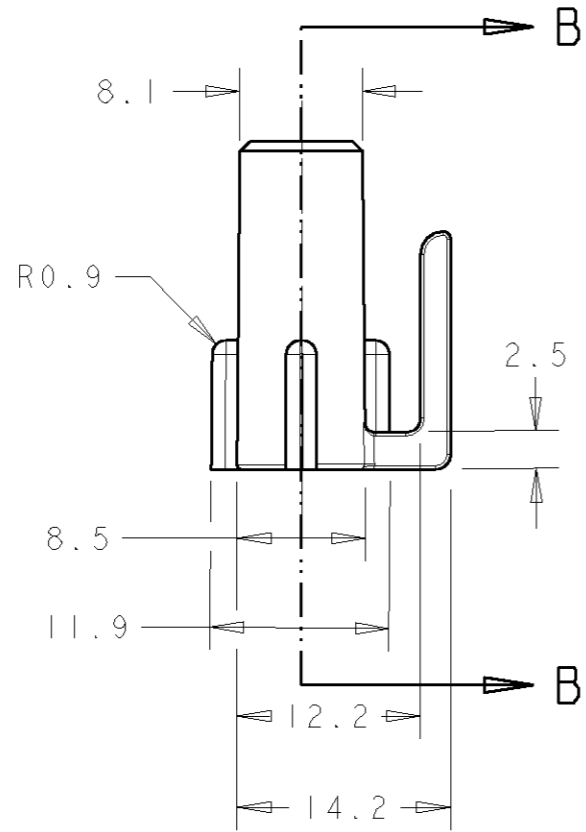
LOC	REVISIONS					
	P	LTR	DESCRIPTION	DATE	DWN	APVD
E	1		PRELIMINARY ISSUE	23.4.98	GL	RS
	3		EB00-0293-99	2.6.99	EAS	MJW
	0		EB00-0229-01	22/6/01	RL	BB



INHIBITION DETAIL
(SEE TABLE)



SECTION B-B



SECTION A-A

△2	NATURAL	2 POS. HSG.	PA46	699707-4
△2	BROWN	2 POS. HSG.	PA46	699707-3
△2	WHITE	2 POS. HSG.	PA66	699707-2
△1	BLACK	2 POS. HSG.	PA66	699707-1
INHIBITION	COLOUR	DESCRIPTION	MATERIAL	PART NUMBER

THIS DRAWING IS A CONTROLLED DOCUMENT FOR AMP INCORPORATED. IT IS SUBJECT TO CHANGE AND THE CONTROLLING ENGINEERING ORGANIZATION SHOULD BE CONTACTED FOR THE LATEST REVISION.		DWN G LANGRIDGE 23-Apr-98	AMP AMP of Great Britain Ltd, Stanmore, Middlesex, HA7 4RS.	
DIMENSIONS IN m.m		CHK R SIMMONS 23.4.98		
TOLERANCES UNLESS OTHERWISE SPECIFIED: LINEAR: - ±0.5 ANGULAR: - ±1°		APVD R SIMMONS 23.4.98	NAME 2 POS. RECEPTACLE HOUSING	
THIRD ANGLE PROJECTION		PRODUCT SPEC -	SIZE A3	
MATERIAL SEE TABLE		APPLICATION SPEC -	CAGE CODE 00779	DRAWING NO C-699707
FINISH -		WEIGHT -	SCALE 2:1	SHEET 1 OF 1
CUSTOMER DRAWING FOR REFERENCE ONLY			REV 0	

单击下面可查看定价，库存，交付和生命周期等信息

[>>TE Connectivity\(泰科\)](#)