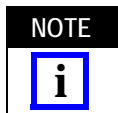


Figure 1

1. INTRODUCTION

This instruction sheet covers the use of insertion tools 91002-1 and 91002-2 which are designed to insert pin and socket contacts (which are crimped to small, fragile wires) into connectors.

Read these instructions thoroughly before inserting any contacts.



All dimensions on this instruction sheet are in millimeters [with inch equivalents in brackets.]

2. DESCRIPTION (Figure 1)

This tweezer-shaped tool features two grooved insertion tips for grasping the wire connected to the contact and tool handles which assist in applying even pressure to the insertion tips.

The tool is designed for 2.286 mm [.090-in.] maximum diameter insulation. but the tool can also be used with other types of wire if caution is used during insertion.

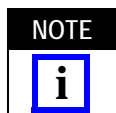


To determine whether the insertion tool is needed in an application, refer to the instruction sheet packaged with the product or check with your local TE representative.

3. INSERTION PROCEDURES (Figure 1)

Insert the contact as follows:

1. Place the insertion tool over the wire, with tool insertion tips behind the contact.
2. Squeeze tips together to hold the wire and contact in position.
3. Align the contact with back of contact cavity in the housing, and insert the contact into housing until it is fully seated.



Some contact cavities will not permit entry of the tool tips. If the contact is not fully inserted, grasp the wire further back from the contact and push the contact in again until it is fully seated.

4. Release pressure on tool tips and remove tool.

5. Pull back lightly on wire to make sure the contact is locked in place.

We recommend that you inspect the tool immediately upon arrival in your factory and at regularly scheduled intervals to ensure that the tooling has not been damaged.

4. TOOL INSPECTION

The tool listed in this instruction sheet should be inspected with the information provided in Figure 2.

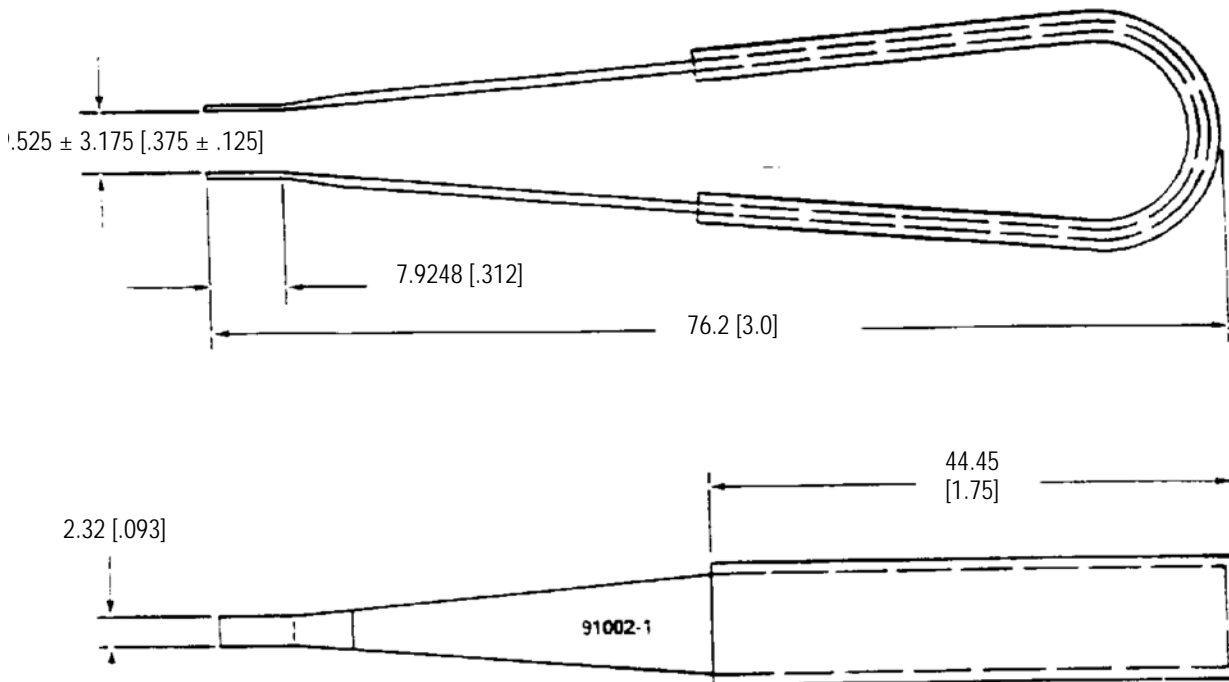


Figure 2

5. REVISION SUMMARY

Revisions to this instruction sheet include:

- Changed company name and logo

单击下面可查看定价，库存，交付和生命周期等信息

[>>TE Connectivity\(泰科\)](#)