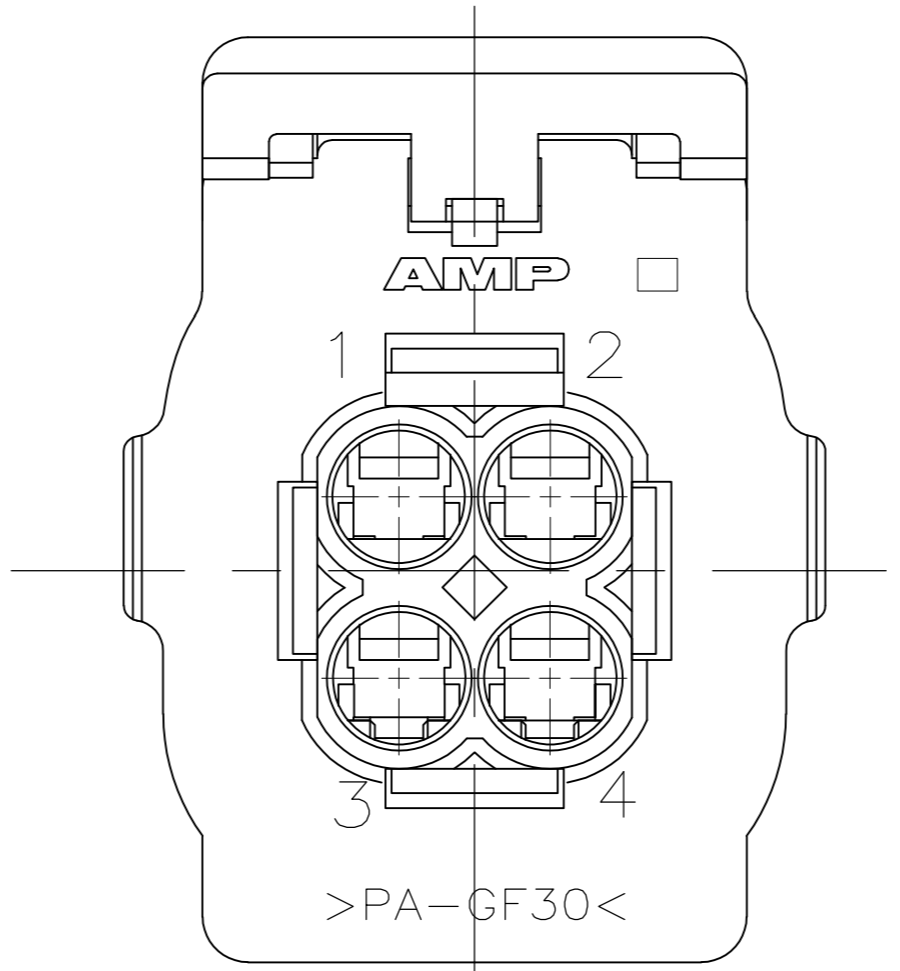
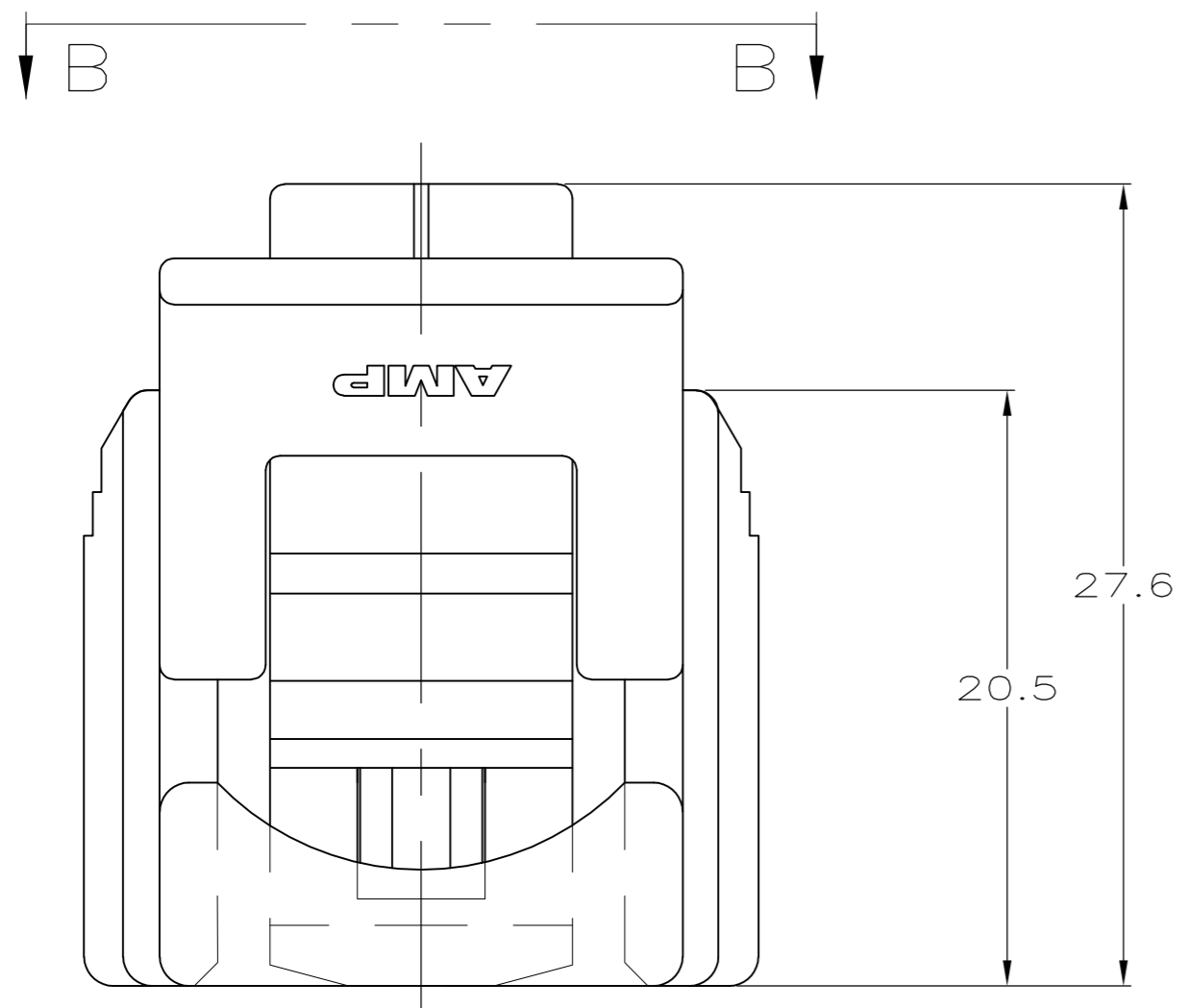


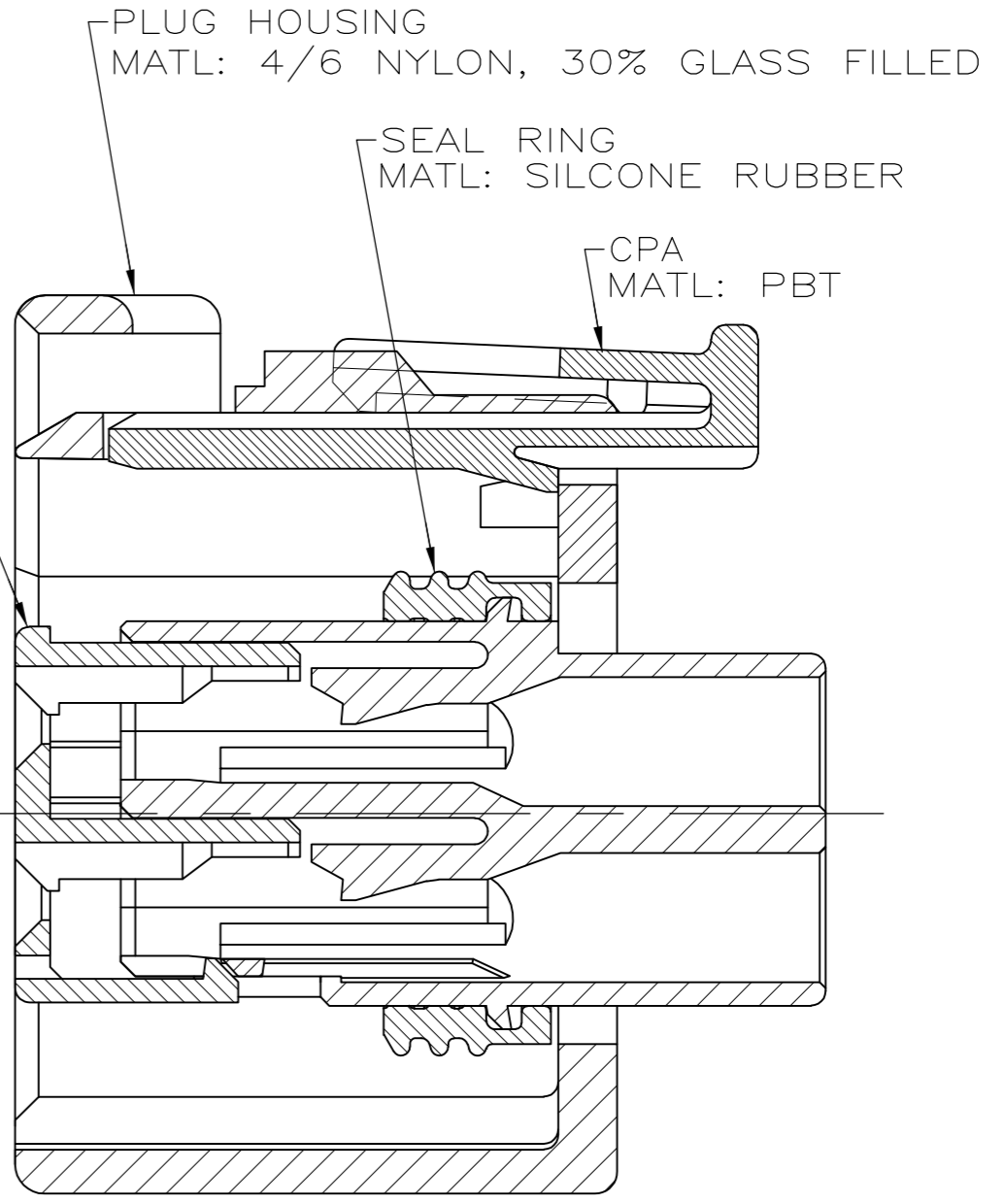
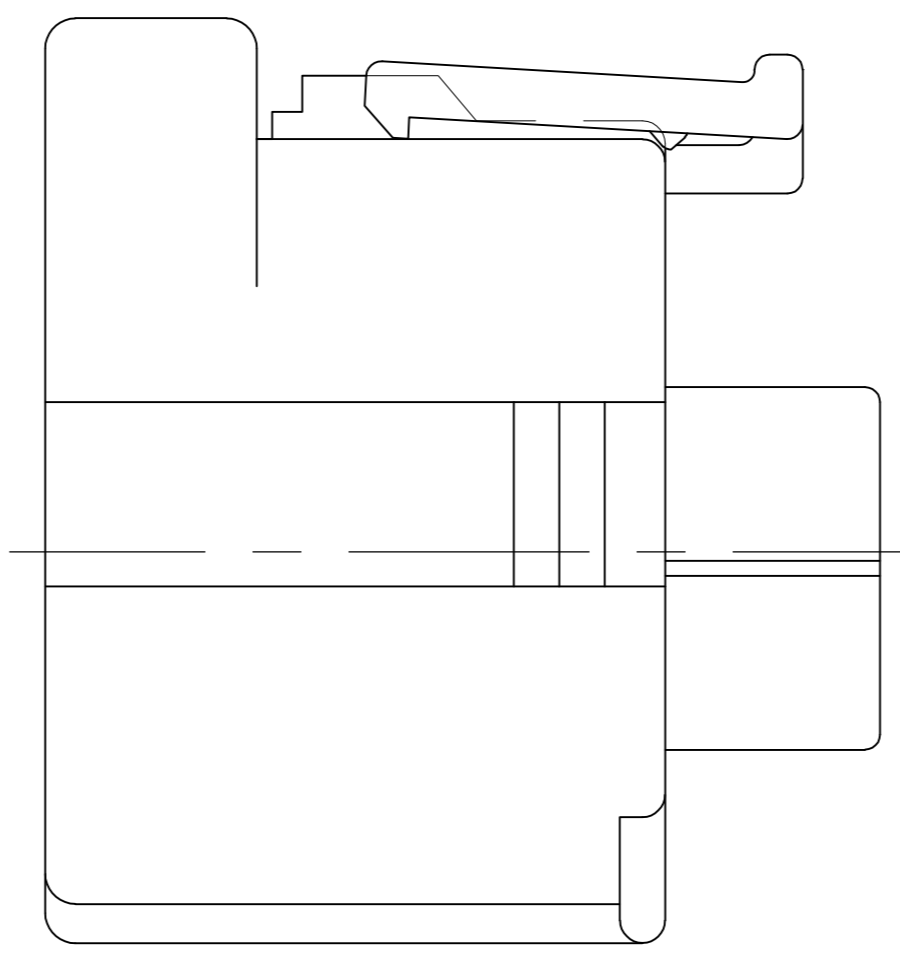
THIS DRAWING IS UNPUBLISHED. RELEASED FOR PUBLICATION
 © COPYRIGHT BY TYCO ELECTRONICS CORPORATION. ALL INTERNATIONAL RIGHTS RESERVED.

LOC		DIST		REVISIONS			
P	LTR	DESCRIPTION	DATE	DWN	APVD		
GE	00						
	K	REVISED PER ECO-09-008507	09APR2009	DD	MB		

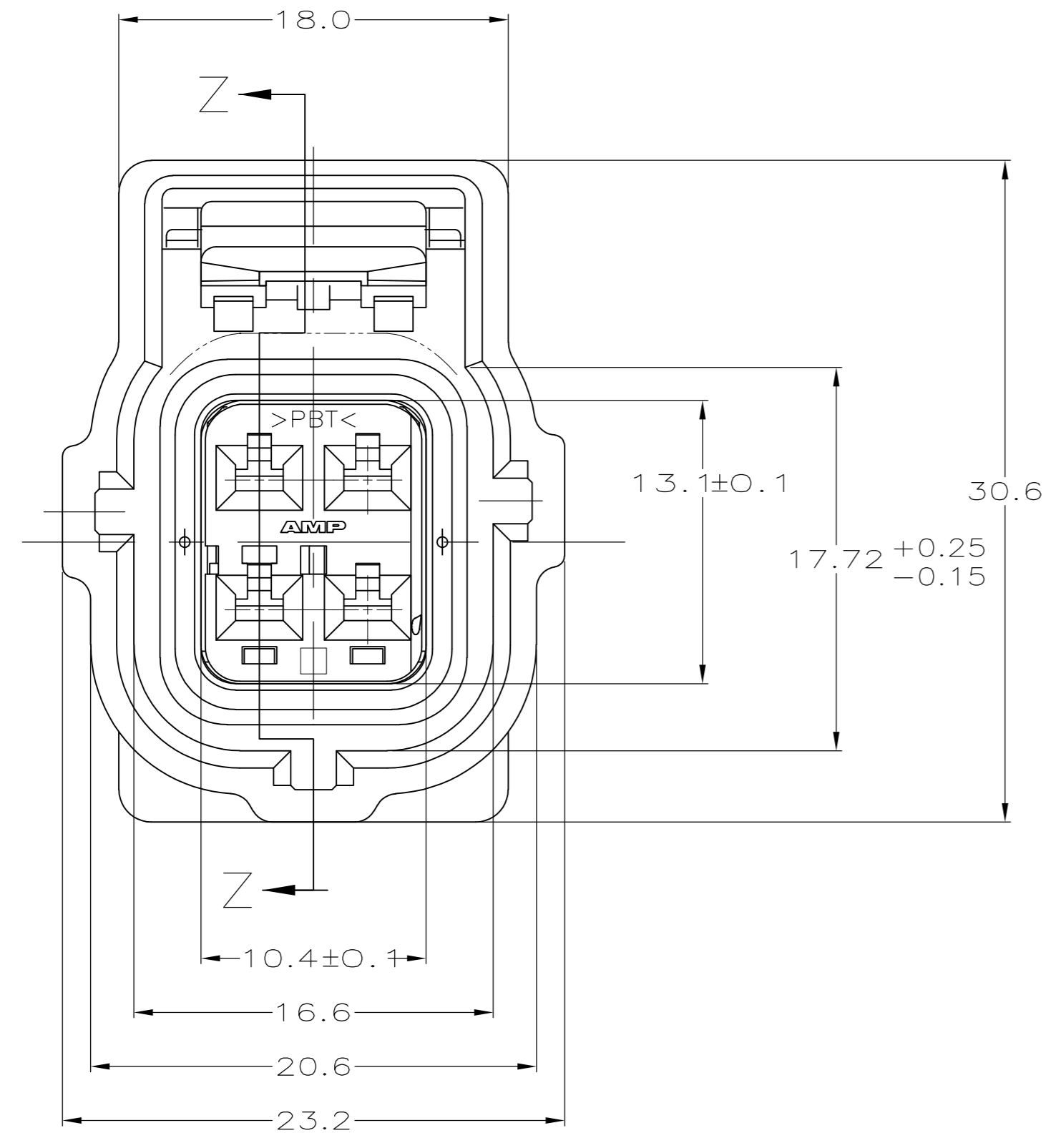


VIEW B-B

DBL LOCK PLATE
 MATL: PBT,
 15% GLASS FILLED



SECTION Z-Z
 SCALE 4:1



BLACK	184248-1
PLUG COLOR	PART NUMBER

THIS DRAWING IS A CONTROLLED DOCUMENT.		DWN	KD LYTL	04/18/96	Tyco Electronics Corporation Harrisburg, PA 17105-3608
DIMENSIONS: mm		CHK	CT HYRB	04/26/96	
TOLERANCES UNLESS OTHERWISE SPECIFIED:		APVD	CT HYRB	04/26/96	
0 PLC ± - 1 PLC ± 0.3 2 PLC ± 0.15 3 PLC ± - 4 PLC ± - ANGLES ± - FINISH -		PRODUCT SPEC			
MATERIAL		APPLICATION SPEC	NAME		2 X 2 PLG ASY KEY A-C4 W/CPA
		WEIGHT	SIZE		A2
		CUSTOMER DRAWING		CAGE CODE	00779
		SCALE		DRAWING NO	C=184248
		4:1		RESTRICTED TO	-
		SHEET		SCALE	4:1
		1 OF 1		REV	K

单击下面可查看定价，库存，交付和生命周期等信息

[>>TE Connectivity\(泰科\)](#)