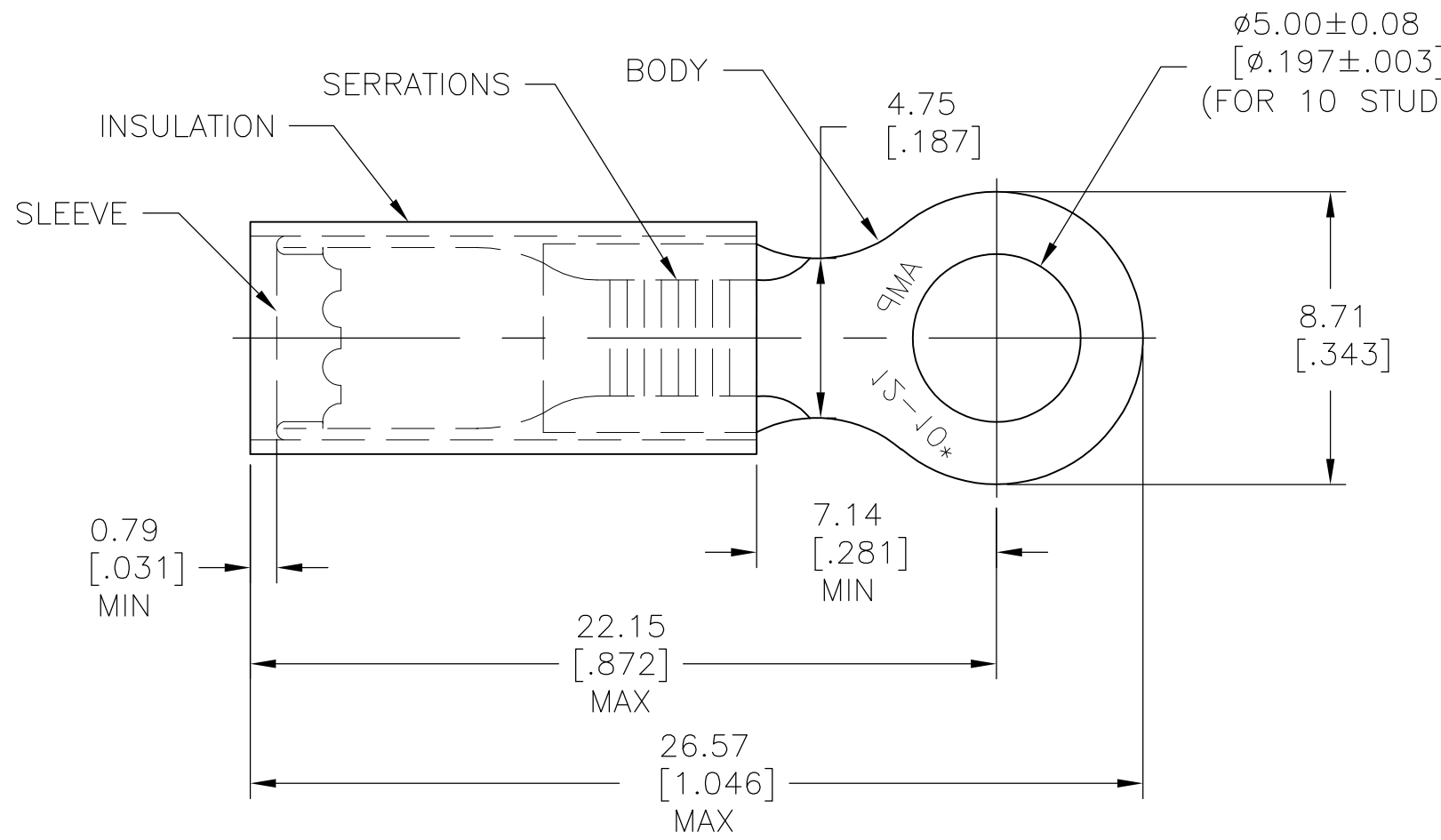


THIS DRAWING IS UNPUBLISHED. RELEASED FOR PUBLICATION
 © COPYRIGHT BY TYCO ELECTRONICS CORPORATION. ALL INTERNATIONAL RIGHTS RESERVED.

LOC	DIST	REVISIONS					
G	14	P	LTR	DESCRIPTION	DATE	DWN	APVD
				D1 REDRAWN PER ECR-09-005960	02APR09	HMR	JR



1 FOR 3.81[.150] TO 5.84[.230] WIRE INSULATION DIA.
 TONGUE MATERIAL THK. = 1.02 ± 0.5 [.040 ± .002]

50	BODY: COPPER (ASTM-B152) TIN PL (ASTM-B545)	LOOSE PC, BOX	8-32883-2
1	SLEEVE: COPPER (ASTM-B152)	32883 ON TAPE	1-32883-0
1	INSULATION: NYLON COLOR: YELLOW	WIRE TERMINAL	32883
QTY	MATERIAL & FINISH	DESCRIPTION	PART NO

THIS DRAWING IS A CONTROLLED DOCUMENT.		DWN RAGHAVENDRA 02APR09	Tyco Electronics Corporation Harrisburg, PA 17105-3608	
DIMENSIONS: mm [INCHES]		CHK JEFF RUTH 02APR09	NAME	
TOLERANCES UNLESS OTHERWISE SPECIFIED:		APVD Tom Michielutti 02APR09	WIRE TERMINAL P.I.D.G RING TONGUE WIRE SIZE: 12-10	
0 PLC ± -		PRODUCT SPEC	SIZE	CAGE CODE
1 PLC ± -		APPLICATION SPEC	A3	00779
2 PLC ± -		WEIGHT	DRAWING NO C-32883	
3 PLC ± 0.20 [.008]			RESTRICTED TO	
4 PLC ± -			-	
ANGLES ± 5°			SCALE 5:1	
MATERIAL SEE TABLE	FINISH SEE TABLE	CUSTOMER DRAWING		SHEET 1 OF 1
				REV D1

单击下面可查看定价，库存，交付和生命周期等信息

[>>TE Connectivity\(泰科\)](#)