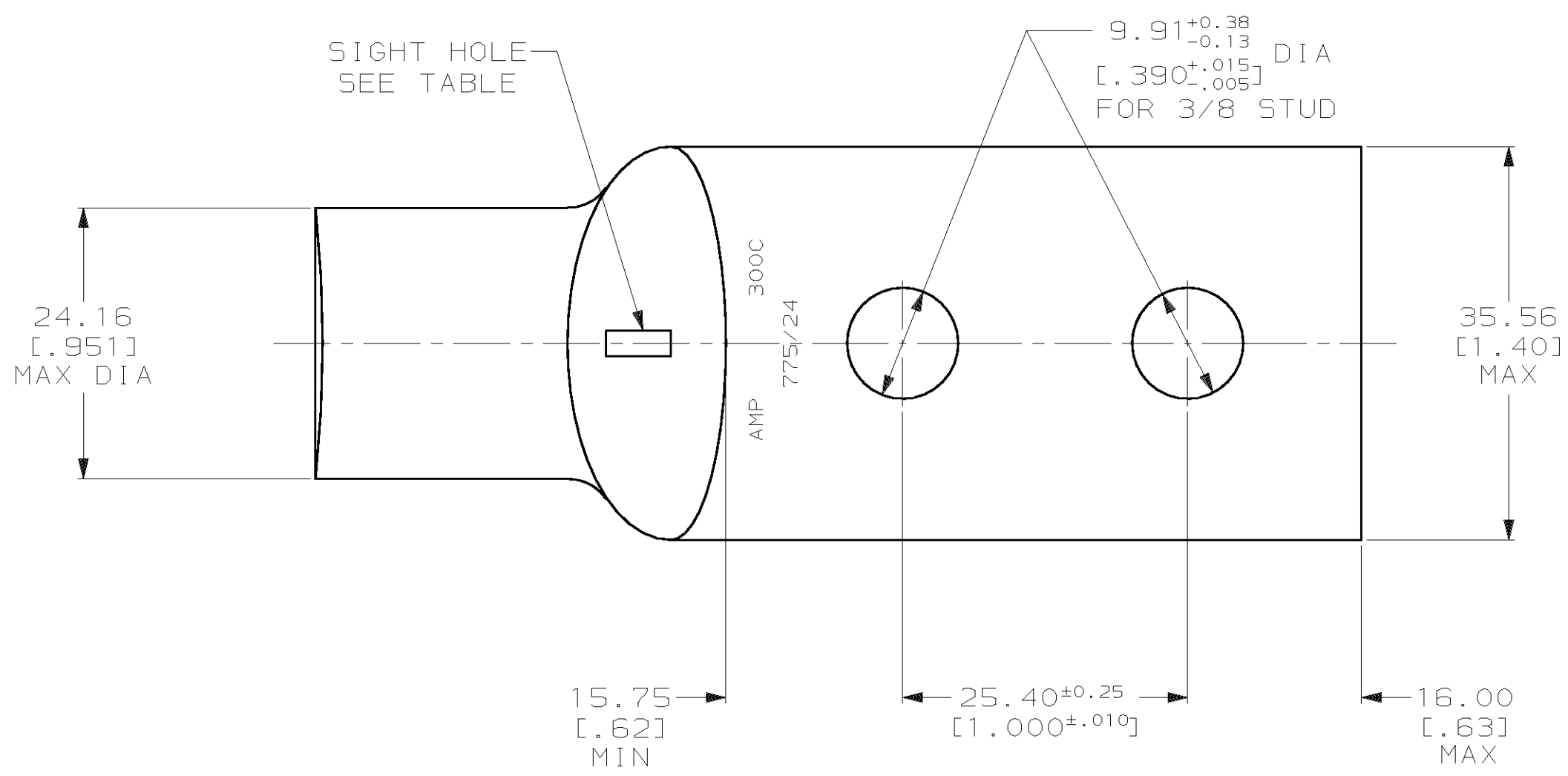
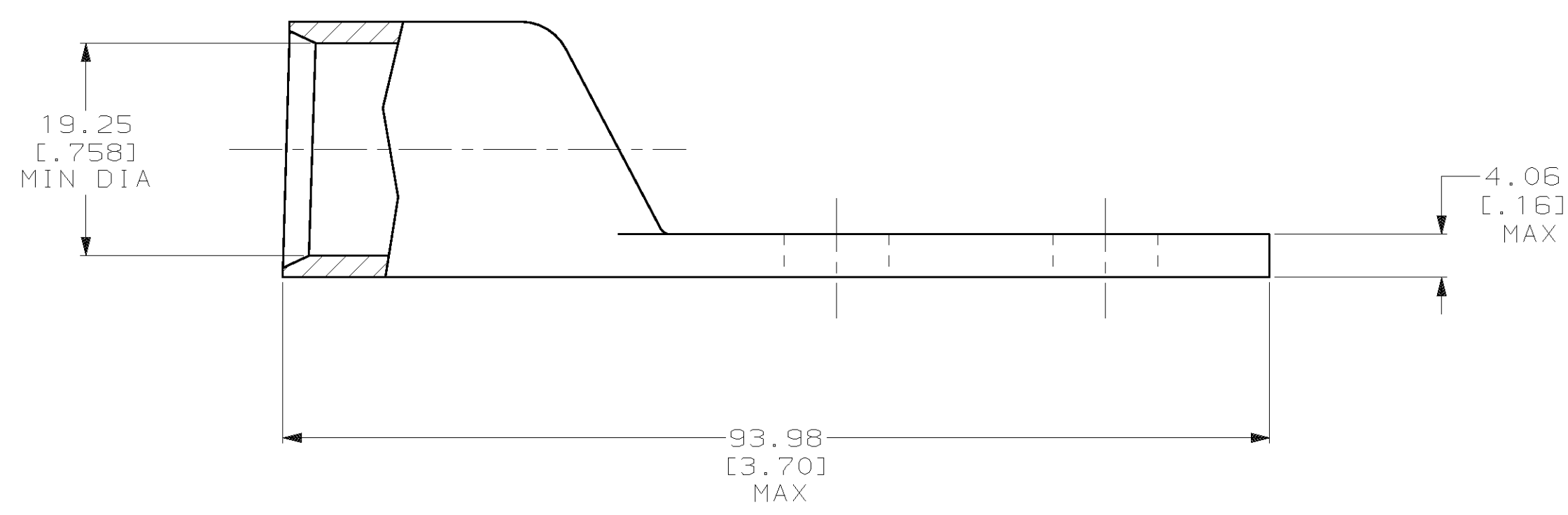


THIS DRAWING IS UNPUBLISHED. RELEASED FOR PUBLICATION, 19 .
 © COPYRIGHT 19 BY AMP INCORPORATED. ALL INTERNATIONAL RIGHTS RESERVED.

LOC		DIST		P		F		ZONE		LTR		REVISIONS		DATE	APPD
G	86												REV PER 0G3A-0561-01	09OCT02	JR



1 CIRCULAR MIL AREA RANGE: 275-325 MCM
 2 TIN PL 0.00381 [.000150] MIN THK PER MIL-T-10727



METRIC

DO NOT SCALE PRINT. UNLESS SPECIFIED DIMENSIONS IN mm [INCHES] TOLERANCES ON : 2 PLC DEC ± 0.51 [.020] 3 PLC DEC ± - ANGLES ± -		DR 02/28/90 DK SCHRUM	NONE 326805-1	
MATERIAL ANNEALED COPPER ASTM B-188	CHK 23JAN95 MS FEHER	APPD 23JAN95 WJ VOCKROTH	REQUIRED 326805	
FINISH	PRODUCT SPEC 108-30200	APPLICATION SPEC -	SIGHT HOLE PART NO	
WEIGHT .215 LB	SCALE 2:1	CAGE CODE 00779	DRAWING NO 326805	
<p>AMP 1471-6 REV 6-89</p> <p>Downloaded From Onyac.com</p> <p>23-JAN-95 10:21:44 amp2646</p>		<p>AMP INCORPORATED Harrisburg, Pa. 17105</p> <p>NAME TERMINAL, AMPPOWER, WIRE SIZE: 300 MCM</p> <p>SHEET 1 OF 1</p>		

单击下面可查看定价，库存，交付和生命周期等信息

[>>TE Connectivity\(泰科\)](#)