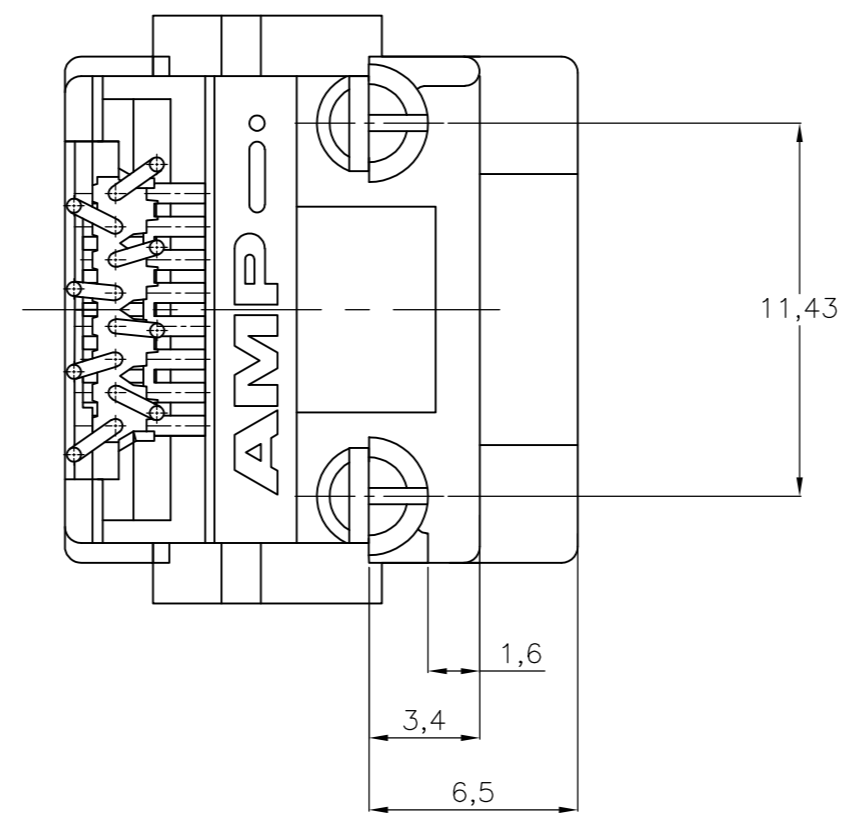
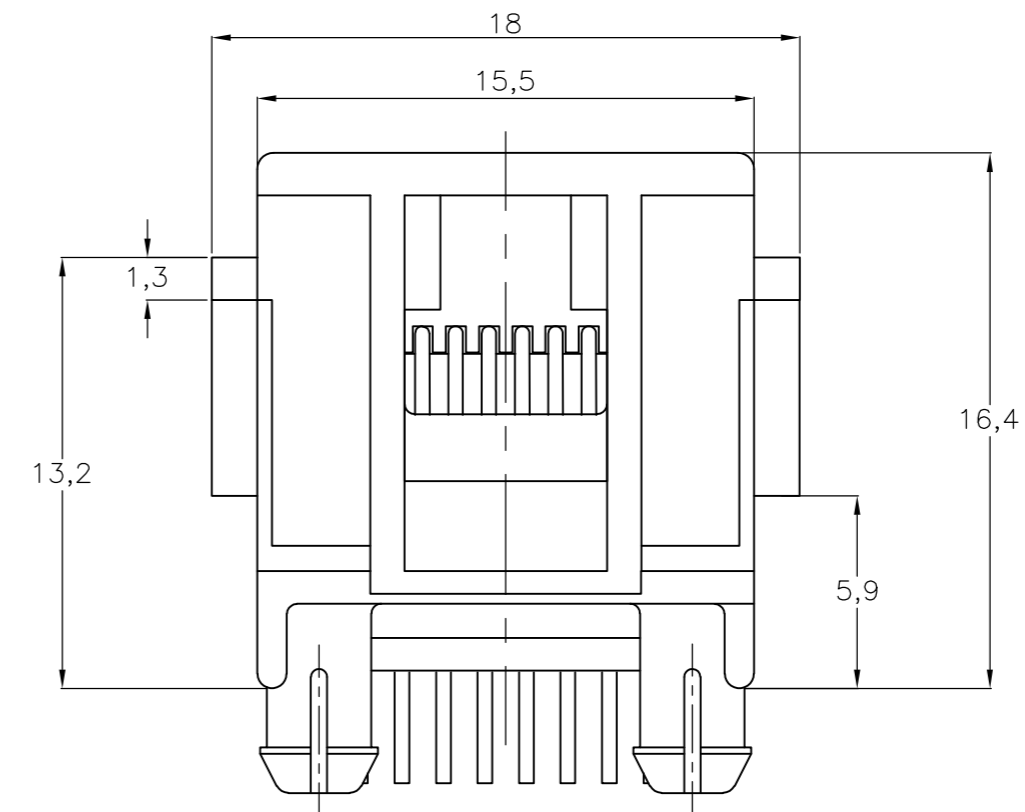
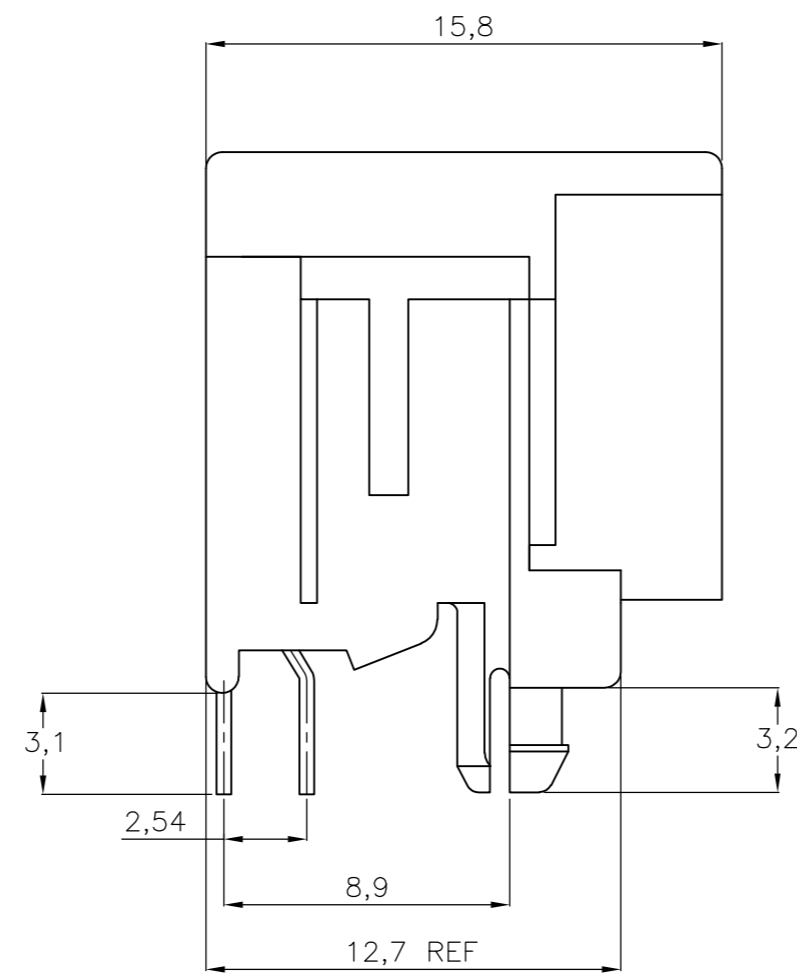
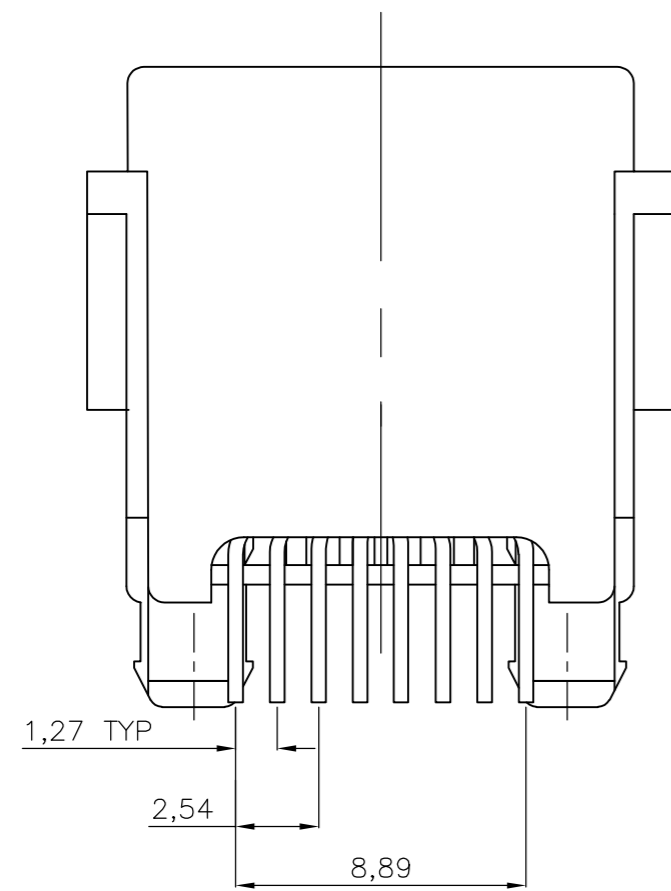
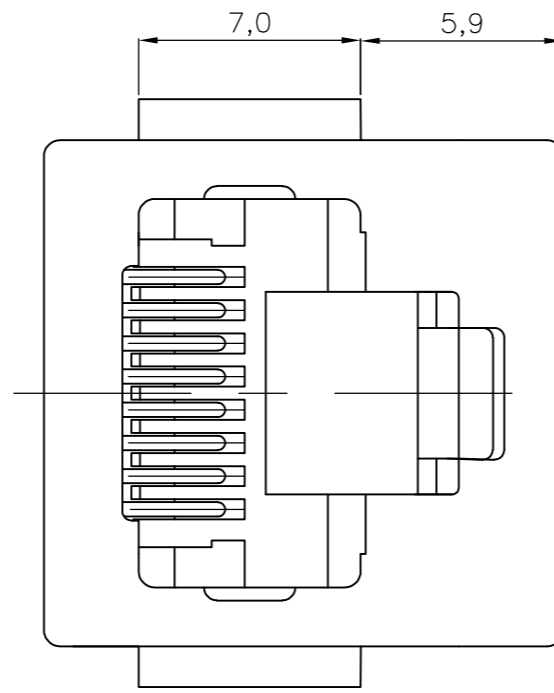


THIS DRAWING IS UNPUBLISHED. RELEASED FOR PUBLICATION
 © COPYRIGHT - By - ALL RIGHTS RESERVED.

| LOC | | DIST | | REVISIONS | | | |
|-----|-----|---------------|-----------|-----------|------|--|--|
| P | LTR | DESCRIPTION | DATE | DWN | APVD | | |
| | N2 | ECR-11-025628 | 20DEC2011 | PS | - | | |

NOTES:

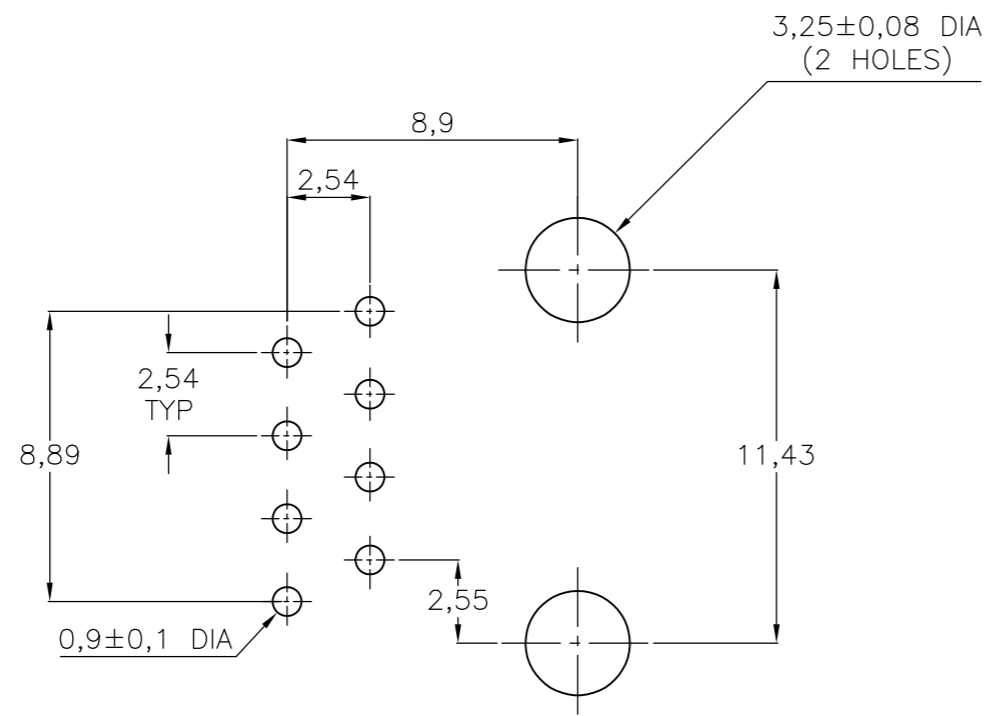
1. TOLERANCES UNLESS OTHERWISE SPECIFIED:±0,15
2. FOR APPLICATION INFORMATION SEE TE SPEC. 114-19019.
3. FOR PERFORMANCE REQUIREMENTS SEE TE SPEC. 108-19064



| | | | | | |
|--|--|------------------|-------------|--|----------|
| THIS DRAWING IS A CONTROLLED DOCUMENT. | | DWN | 19JUN90 | TE TE Connectivity | |
| DIMENSIONS: mm | | CHK | - | | |
| TOLERANCES UNLESS OTHERWISE SPECIFIED: | | APVD | - | NAME MODULAR JACK 8 POS. TOP ENTRY WITH PANEL STOPS PRINTED CIRCUIT BOARD | |
| 0 PLC ± - | | PRODUCT SPEC | - | | |
| 1 PLC ± - | | APPLICATION SPEC | - | SIZE | A2 |
| 2 PLC ± - | | WEIGHT | - | CAGE CODE | 00779 |
| 3 PLC ± - | | FINISH | SEE SHEET 2 | DRAWING NO | C=216566 |
| 4 PLC ± - | | MATERIAL | SEE SHEET 2 | RESTRICTED TO | - |
| ANGLES ± - | | CUSTOMER DRAWING | | SCALE | NTS |
| FINISH | | SCALE | | SHEET | 1 OF 2 |
| SEE SHEET 2 | | REV | | N2 | |

THIS DRAWING IS UNPUBLISHED. RELEASED FOR PUBLICATION
 © COPYRIGHT - By - ALL RIGHTS RESERVED.

| LOC | DIST | REVISIONS | | | | | |
|-----|------|-----------|-----|-------------|------|-----|------|
| IR | - | P | LTR | DESCRIPTION | DATE | DWN | APVD |
| | | - | - | SEE SHEET 1 | - | - | - |



PRINTED CIRCUIT BOARD LAYOUT
 [VIEW SHOWN IS CIRCUIT (NONCOMPONENT) SIDE OF BOARD.]
 TOLERANCES UNLESS OTHERWISE SPECIFIED: ±0,05
 PRINTED CIRCUIT BOARD THICKNESS: 1,6 mm NOMINAL.

| PACKAGING | REMARKS | FINISH | MATERIAL | PARTNUMBER |
|-----------|------------------------------------|---|--|------------|
| OBSOLETE | 180pcs. IN A TRAY 6 TRAYS IN A BOX | IN CONTACT AREA: 1,2µm MIN.SEL.GOLD OVER 1,2µm MIN.NICKEL | HOUSING: PBT,UL 94-HB COLOR: BLACK CONTACTS: PHOSPHOR BRONZE | 216566-4 |
| | 600pcs. ON A 60cm. DIA. REEL. | SOLDER TINES: 2,0µm MIN. TIN OVER 1,2µm MIN. NICKEL | HOUSING: PBT,UL 94V-0 COLOR: BLACK CONTACTS: PHOSPHOR BRONZE | 216566-2 |
| | 8 POSITIONS/ 8 CONTACTS. | | HOUSING: PBT,UL 94-HB COLOR: BLACK CONTACTS: PHOSPHOR BRONZE | 216566-1 |

| | | | | |
|--|--|--|-------------|----------------------------|
| THIS DRAWING IS A CONTROLLED DOCUMENT. | | DWN | 19JUN90 | STE TE Connectivity |
| | | CHK | P.BEIJNON | |
| | | APVD | C.A.STERKEN | |
| | | NAME | L.V.SOEST | |
| DIMENSIONS: mm | | TOLERANCES UNLESS OTHERWISE SPECIFIED: | | PRODUCT SPEC |
| | | 0 PLC | ± - | APPLICATION SPEC |
| | | 1 PLC | ± - | |
| | | 2 PLC | ± - | |
| | | 3 PLC | ± - | |
| MATERIAL | | FINISH | WEIGHT | SIZE |
| SEE TABLE | | SEE TABLE | - | A2 |
| | | CUSTOMER DRAWING | | CAGE CODE |
| | | | | 00779 |
| | | | | DRAWING NO |
| | | | | C=216566 |
| | | | | RESTRICTED TO |
| | | | | - |
| | | | | SCALE |
| | | | | NTS |
| | | | | SHEET |
| | | | | 2 of 2 |
| | | | | REV |
| | | | | N2 |

单击下面可查看定价，库存，交付和生命周期等信息

[>>TE Connectivity\(泰科\)](#)