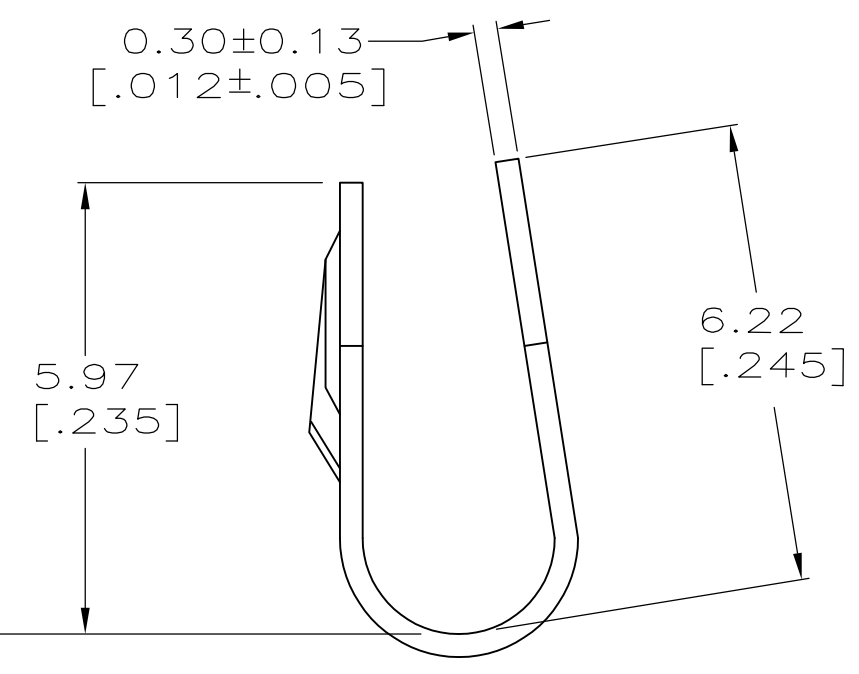
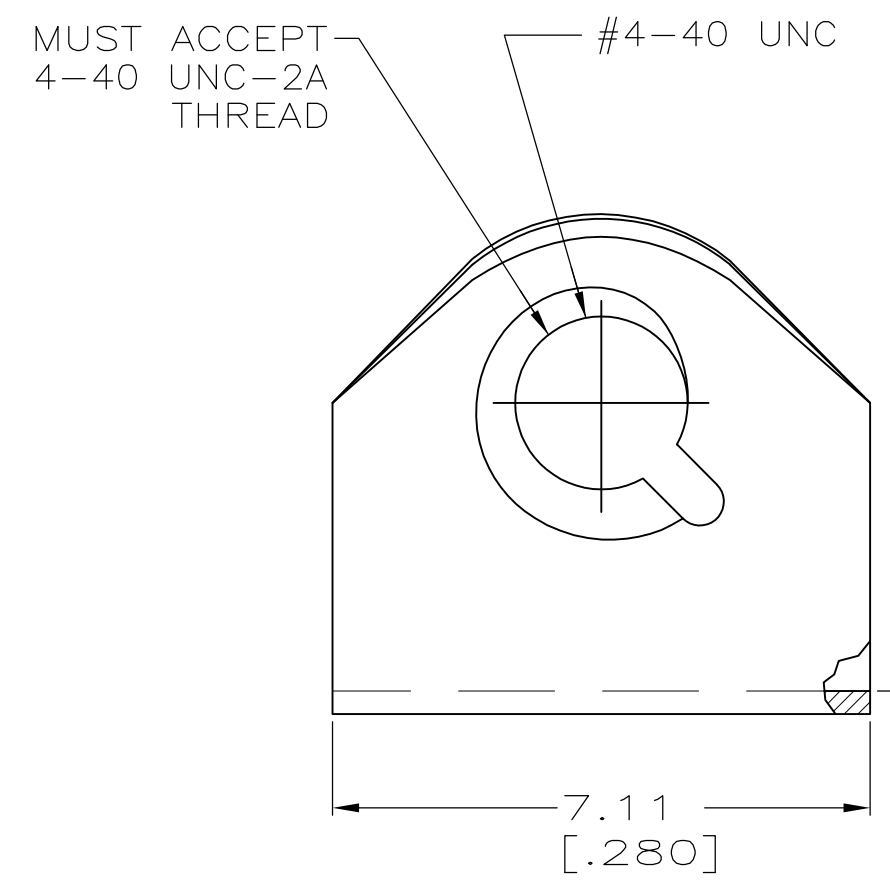



THIS DRAWING IS UNPUBLISHED. RELEASED FOR PUBLICATION  
 © COPYRIGHT - By - ALL RIGHTS RESERVED.

REVISIONS					
P	LTR	DESCRIPTION	DATE	DWN	APVD
	C	REVISED PER ECO-16-013469	13OCT2016	AP	DG

① STAINLESS STEEL PER ASTM A666.



745564-1  
 PART NUMBER

THIS DRAWING IS A CONTROLLED DOCUMENT.		DWN B. MOYER 07/26/90	 TE Connectivity		
DIMENSIONS: INCHES		CHK R. STONE 8-2-90			
TOLERANCES UNLESS OTHERWISE SPECIFIED:		APVD B. TAYLOR 8-2-90	NAME SCREW RETAINER, HDE		
0 PLC ± - 1 PLC ± - 2 PLC ± 0.51 [.020] 3 PLC ± - 4 PLC ± - ANGLES ± -		PRODUCT SPEC J. ASSINI 8-3-90	RESTRICTED TO -		
MATERIAL ①		FINISH -	APPLICATION SPEC -	SIZE A3	CAGE CODE 00779
		WEIGHT 0.000000	DRAWING NO C-745564	SCALE 10:1	SHEET 1 OF 1
CUSTOMER DRAWING			REV C		

单击下面可查看定价，库存，交付和生命周期等信息

[>>TE Connectivity\(泰科\)](#)