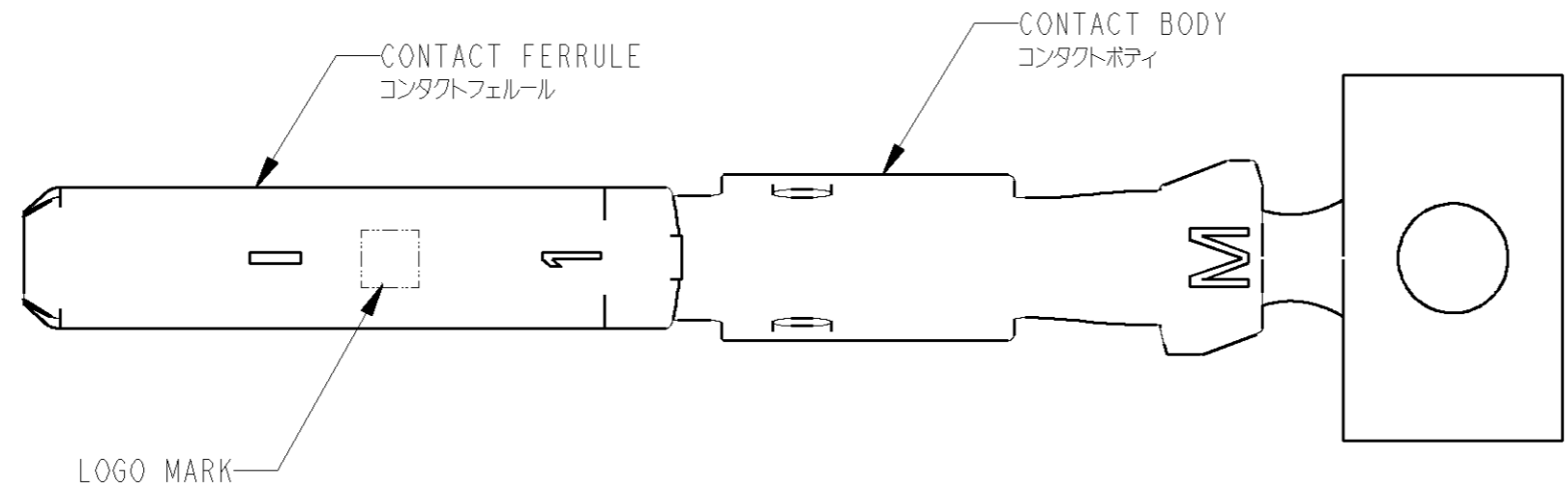
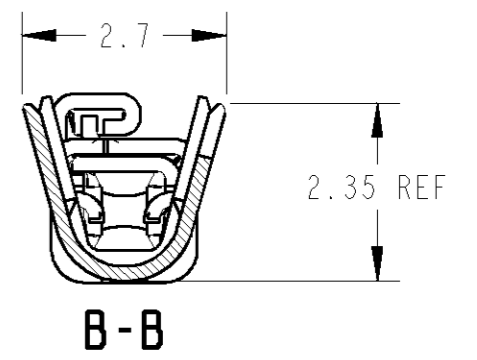
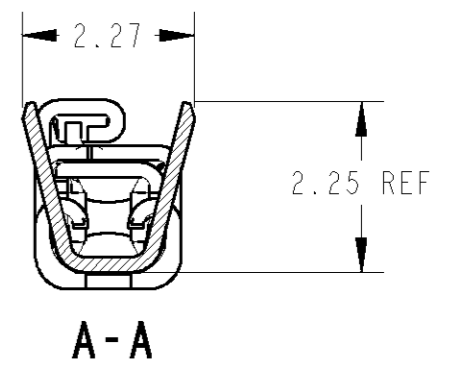
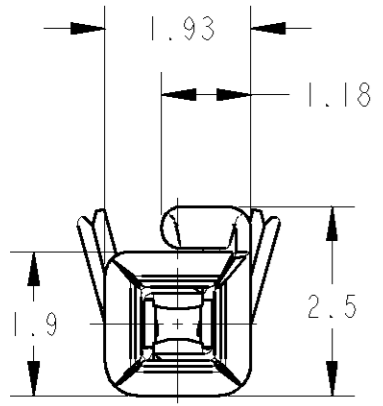
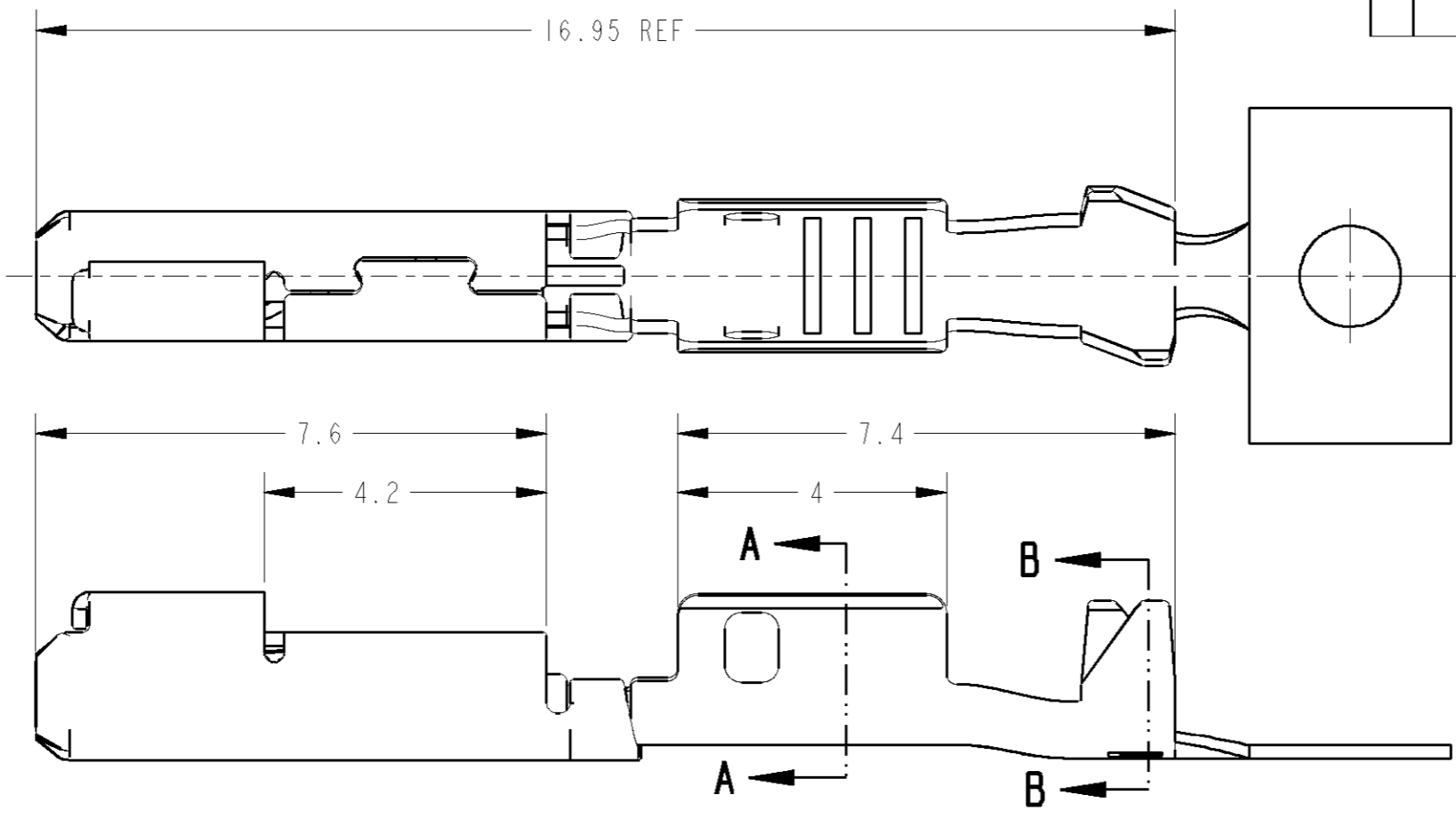


THIS DRAWING IS UNPUBLISHED. RELEASED FOR PUBLICATION 20  
 © COPYRIGHT 20 BY TYCO ELECTRONICS CORPORATION. ALL RIGHTS RESERVED.

LOC	LIST	REVISIONS					
P	LTR	DESCRIPTION	ECN	DATE	DWN	APVD	
J	X	B1	REVISED	FJA0-0022-04	22-Jan-04	Y.N	Y.F
		C	REVISED	ECR-10-005857	13MAY10	SF	KB



I. APPLICATOR FEED: 8mm  
 I. アプリケータ送りピッチ: 8mm

BRASS PLAIN	COPPER ALLOY PRE-TIN	1318329-1
CONTACT FERRULE コンタクトフェルール	CONTACT BODY コンタクトボディ	AMP PART NUMBER
MATERIAL / FINISH 材料 / 仕上		

WIRE RANGE 包合電線断面積	0.5~0.85 mm <sup>2</sup>	INSULATION DIA 被覆外径	φ1.25~1.9
-----------------------	--------------------------	------------------------	-----------

THIS DRAWING IS A CONTROLLED DOCUMENT FOR TYCO ELECTRONICS CORPORATION. IT IS SUBJECT TO CHANGE AND THE CONTROLLING ENGINEERING ORGANIZATION SHOULD BE CONTACTED FOR THE LATEST REVISION.		DWN	Y. FUJIWARA	180CT99	Tyco Electronics JAPAN G.K. Kawasaki, Japan	
DIMENSIONS: mm		CHK	K. ODA	190CT99		
TOLERANCES UNLESS OTHERWISE SPECIFIED: 一般公差 = ± 0.2		APVD	K. ODA	190CT99		
0 PLC ± 1 PLC ±0.1 2 PLC ±0.05 3 PLC ±0.025 4 PLC ±0.0001 ANGLES ±1.00'		PRODUCT SPEC	NAME			
MATERIAL: COPPER ALLOY		FINISH: SEE TABLE	APPLICATION SPEC			REC CONTACT ASSY M RANGE CLEAN BODY 025 CONNECTOR
		WEIGHT: 0.23g	114-5278	RESTRICTED TO		
		CUSTOMER DRAWING	SIZE: A3	CAGE CODE: 00779	DRAWING NO: C=1318329	SCALE: 10:1

单击下面可查看定价，库存，交付和生命周期等信息

[>>TE Connectivity\(泰科\)](#)