

THIS DRAWING IS UNPUBLISHED. RELEASED FOR PUBLICATION 20
 © COPYRIGHT 20 BY TYCO ELECTRONICS CORPORATION. ALL RIGHTS RESERVED.

| LOC | DIST | REVISIONS | | | | | |
|-----|------|-----------|-----|-------------|-----------|-----|------|
| GP | 00 | P | LTR | DESCRIPTION | DATE | DWN | APVD |
| | | | A | RELEASED | 28FEB2007 | RG | PD |

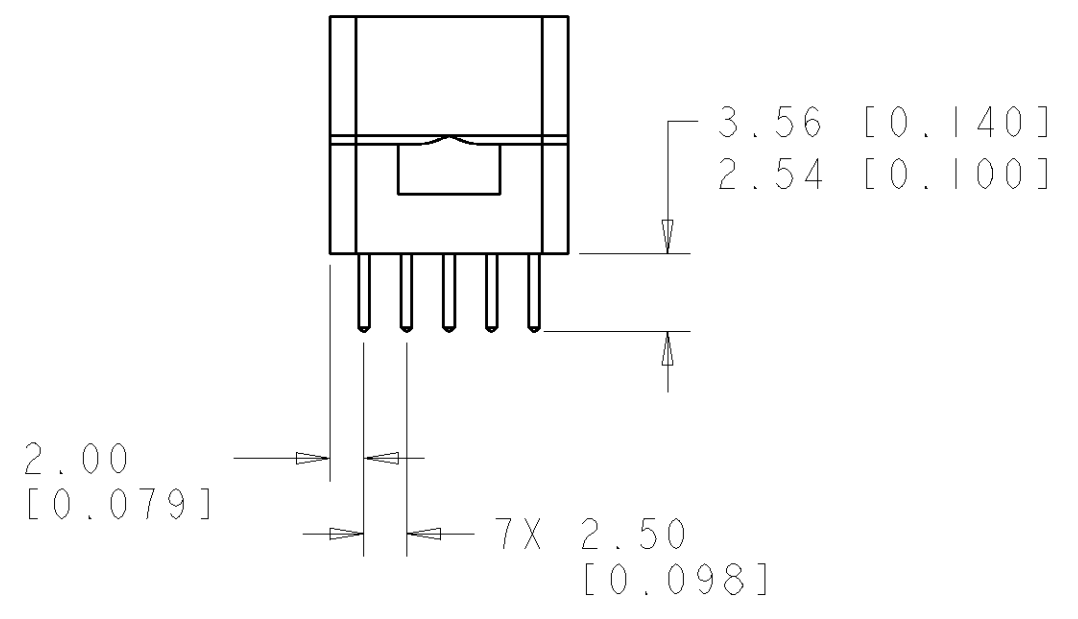
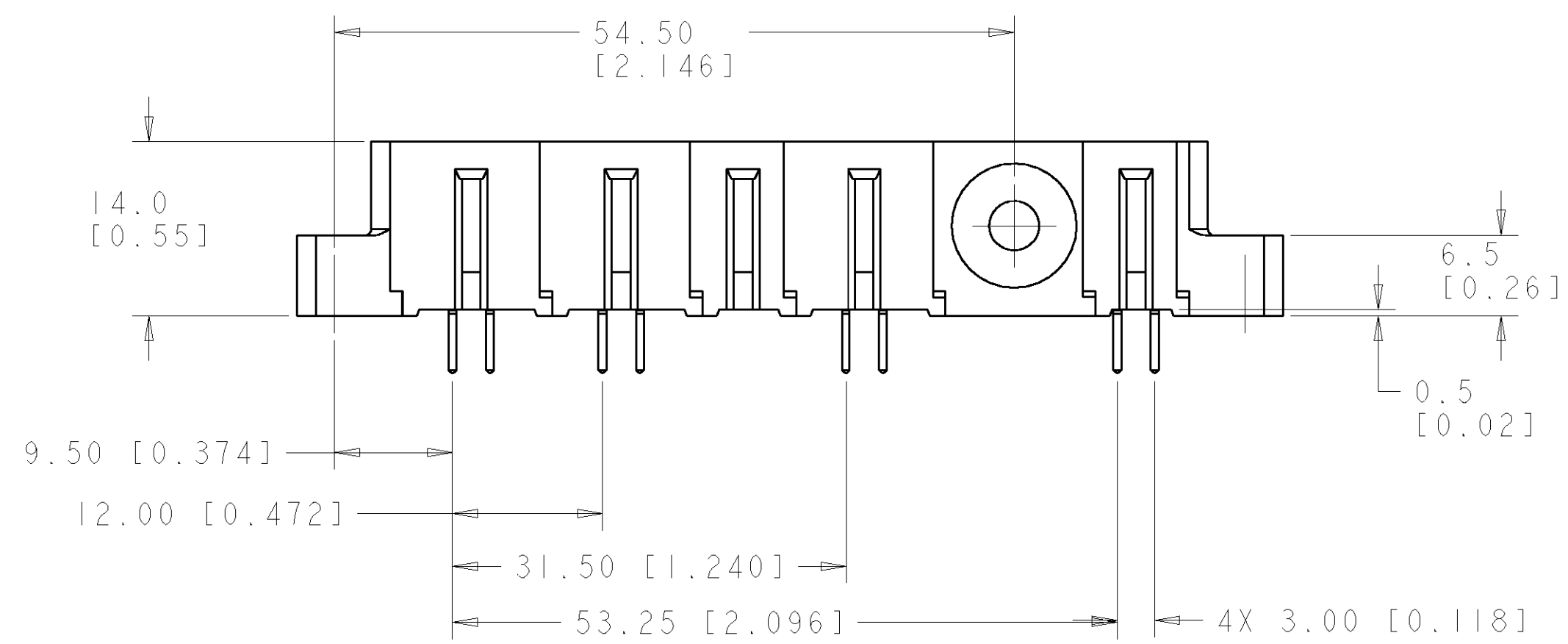
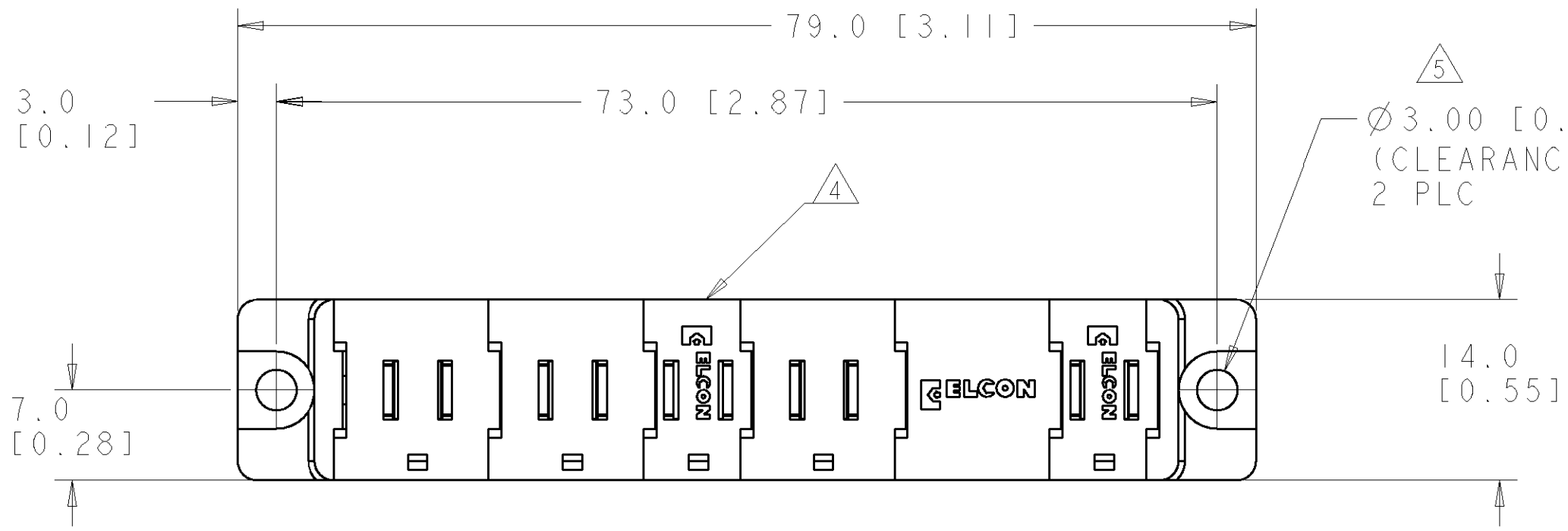
- PART NUMBER CHANGES AND OR DESIGN CHANGES AFFECTING ITEM INTERCHANGEABILITY REQUIRE PRIOR TYCO APPROVAL AND AUTHORIZATION BY REVISION TO THIS DRAWING.
- MATERIAL:
 INSULATORS - THERMOPLASTIC, GLASS REINFORCED, UL94V-0 FLAMMABILITY RATED. COLOR: BLACK
 CROWN BAND HOLDER - PHOSPHOR BRONZE ALLOY, BERYLLIUM COPPER ALLOY
- FINISH:
 CONTACTS - GOLD PLATE .76µm MIN. THK., OVER NICKEL
 1.27µm MIN. THK.,
 SOLDER TAILS TIN, 3.05µm MIN. THK. OVER NICKEL
 1.27µm MIN. THK

△ ITEMS PROVIDED TO THIS SPECIFICATION TO BE PERMANENTLY IDENTIFIED PER THE FOLLOWING IDENTIFIER LABEL

YEAR WEEK

TYCO PART NO. DATE CODE (e.g. 0106)
 XXXXXXXX-X XXXX

△ MOUNTING FLANGES ACCEPTS M3 OR #4-40 SCREWS (USER SUPPLIED)

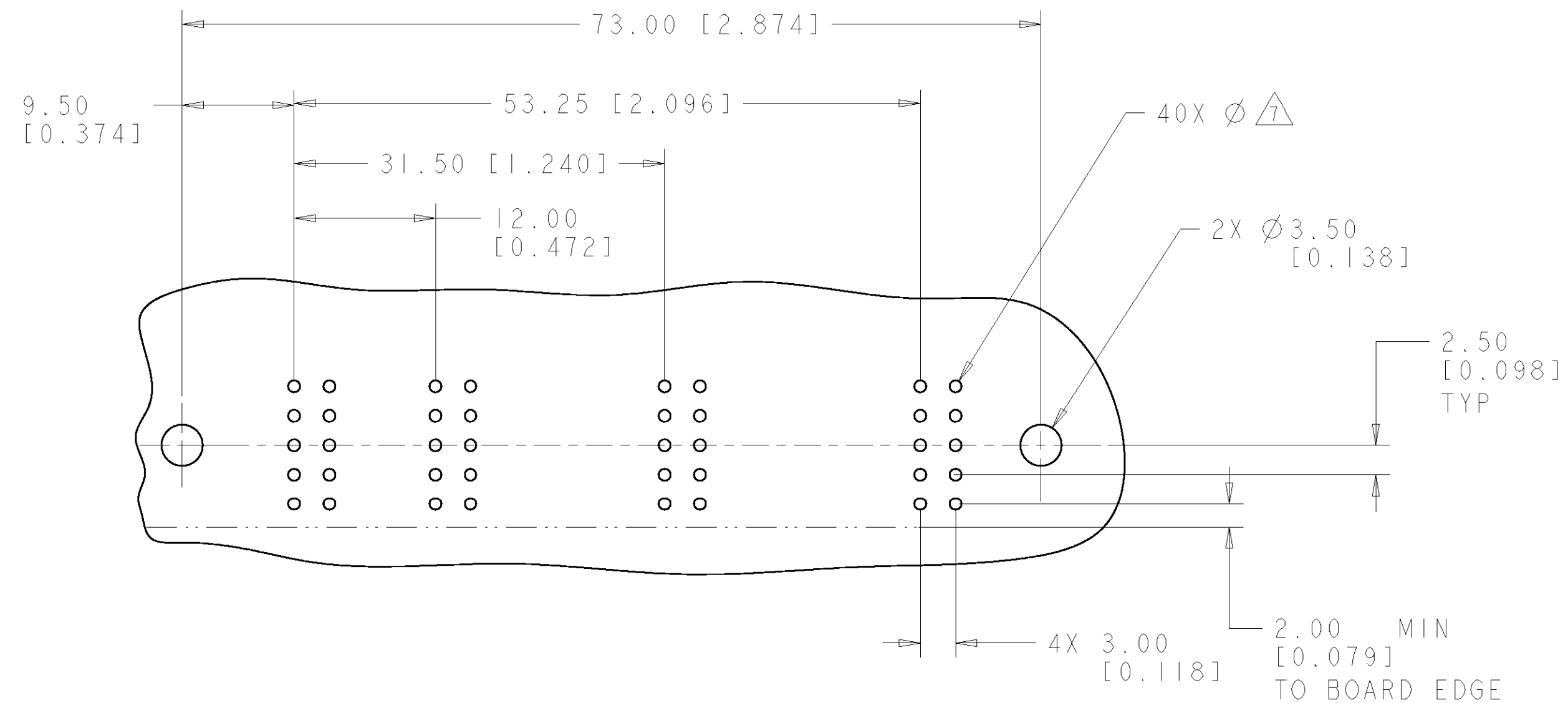


ELCON FLATPAQ

| | | | | |
|---|--|----------------------------------|--|---------------|
| THIS DRAWING IS A CONTROLLED DOCUMENT FOR TYCO ELECTRONICS CORPORATION. IT IS SUBJECT TO CHANGE AND THE CONTROLLING ENGINEERING ORGANIZATION SHOULD BE CONTACTED FOR THE LATEST REVISION. | | DWN R. GRZYBOWSKI 13FEB07 | AS SHOWN | 1926406-1 |
| DIMENSIONS: mm | | CHK P. DAMATO 13FEB07 | DESCRIPTION | PART NUMBER |
| TOLERANCES UNLESS OTHERWISE SPECIFIED: 0 PLC ±.3 [0.12] 1 PLC ±.15 [0.06] 2 PLC ±.15 [0.06] 3 PLC ±.15 [0.06] 4 PLC ±.15 [0.06] ANGLES ±.5 | | APVD S. FLICKINGER 13FEB07 | Tyco Electronics Harrisburg, PA 17105-3608 | |
| MATERIAL | | PRODUCT SPEC | NAME CONNECTOR ASSEMBLY, SOCKET RIGHT ANGLE, SOLDER TAIL | |
| | | APPLICATION SPEC | SIZE | CAGE CODE |
| | | FINISH | A2 | 00779 |
| | | WEIGHT | DRAWING NO. | RESTRICTED TO |
| | | CUSTOMER DRAWING | G-1926406 | - |
| | | SCALE | 3:1 | SHEET 1 OF 3 |
| | | REV | A | |

THIS DRAWING IS UNPUBLISHED. RELEASED FOR PUBLICATION 20
 © COPYRIGHT 20 BY TYCO ELECTRONICS CORPORATION. ALL RIGHTS RESERVED.

| LOC | DIST | REVISIONS | | | | | |
|-----|------|-----------|-----|-------------|------|-----|------|
| GP | 00 | P | LTR | DESCRIPTION | DATE | DWN | APVD |
| | | - | | SEE SHEET 1 | - | - | - |



PRINTED CIRCUIT LAYOUT
 COMPONENT SIDE

| CONNECTOR | CATALOG MODULE # | QTY | SIZE NO. | CONTACT QTY | MATING PIN | MAX. CURRENT (PER CONTACT) | CONTACT SPACING | VOLTAGE RATING |
|-----------|------------------|-----|--------------------------|-------------|------------------------------|----------------------------|-----------------|----------------|
| SOCKET | FP104 | 1 | 8 | 2 | 1.25 X 7.00 [.049 X .276] | 35 amps | 7.50 [.2953] | 250 |
| | FP512 | 1 | SPACER | | | | | |
| | FP120 | 3 | 8 | 2 | 1.25 X 7.00 [.049 X .276] | 35 amps | 7.50 [.2953] | 250 |
| | FP506 | 2 | RIGHT ANGLE GUIDE SOCKET | | | | | |
| | FP0500 | 1 | LEFT MOUNTING FLANGE | | | | | |
| | FP0501 | 1 | RIGHT MOUNTING FLANGE | | | | | |

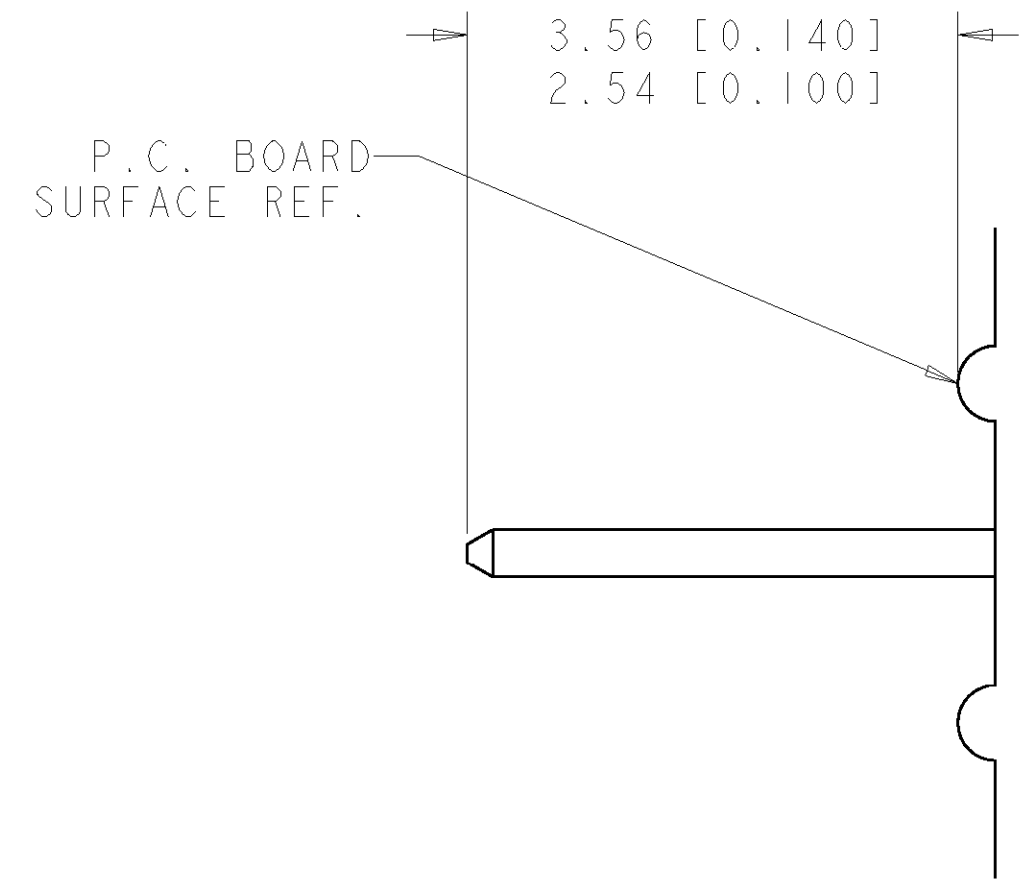
THIS DRAWING IS A CONTROLLED DOCUMENT FOR TYCO ELECTRONICS CORPORATION. IT IS SUBJECT TO CHANGE AND THE CONTROLLING ENGINEERING ORGANIZATION SHOULD BE CONTACTED FOR THE LATEST REVISION.

| | | | | | |
|-------------|--|------------------|---------------|---------|--|
| DIMENSIONS: | TOLERANCES UNLESS OTHERWISE SPECIFIED: | DWN | R. GRZYBOWSKI | 13FEB07 | Tyco Electronics Harrisburg, PA 17105-3608 |
| mm | 0 PLC ±.3 [.012] | CHK | P. DAMATO | 13FEB07 | |
| | 1 PLC ±.15 [.006] | APVD | S. FLICKINGER | 13FEB07 | |
| | 2 PLC ±.15 [.006] | PRODUCT SPEC | | | |
| | 3 PLC ±. | APPLICATION SPEC | | | |
| | 4 PLC ±. | WEIGHT | | | |
| ANGLES | ±.5 | CUSTOMER DRAWING | | | NAME: CONNECTOR ASSEMBLY, SOCKET RIGHT ANGLE, SOLDER TAIL |
| FINISH | | SCALE | 3:1 | SHEET | 2 OF 3 |
| | | RESTRICTED TO | | REV | A |

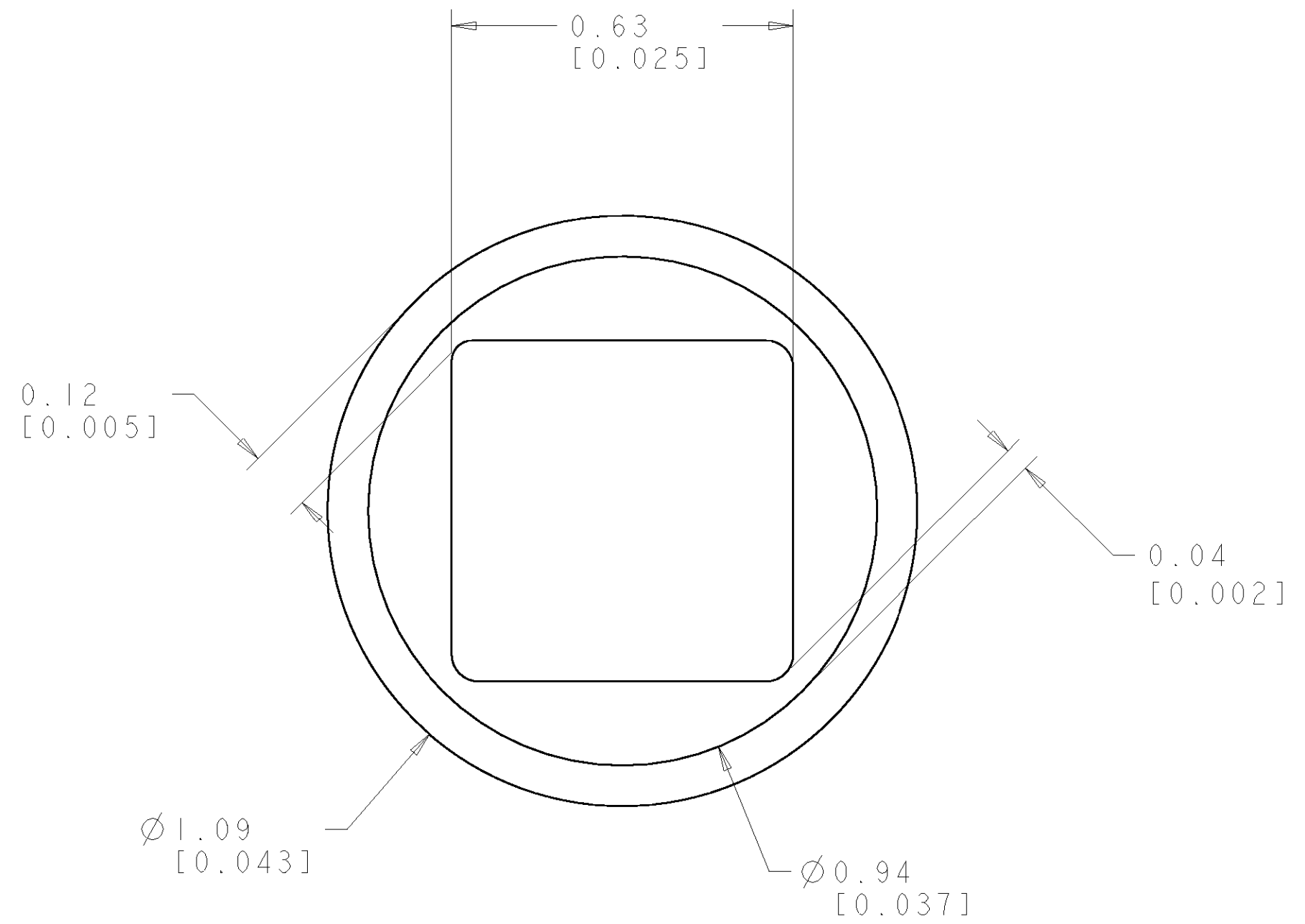
ELCON FLATPAQ

THIS DRAWING IS UNPUBLISHED. RELEASED FOR PUBLICATION 20
 © COPYRIGHT 20 BY TYCO ELECTRONICS CORPORATION. ALL RIGHTS RESERVED.

| LOC | DIST | REVISIONS | | | | | |
|-----|------|-----------|-----|-------------|------|-----|------|
| GP | 00 | P | LTR | DESCRIPTION | DATE | DWN | APVD |
| | | - | | SEE SHEET 1 | - | - | - |
| | | | | | | | |
| | | | | | | | |



6. SOLDER TAIL DETAIL
SCALE 10 : 1



△ SOLDER TERMINATION AREA
SCALE 40:1

RECOMMENDED PRINTED CIRCUIT SOLDER HOLE
 FINISHED HOLE: Ø1.02 [.040] ±.08 [.003]
 DRILLED HOLE: Ø1.15 [.0453] ±.013 [.0005]
 COPPER PLATE: .025 [.0010] MIN.
 TIN PLATE: .008 [.0003] MIN. (PER SURFACE)

ELCON FLATPAQ

| | | | |
|---|---|--|--|
| <small>THIS DRAWING IS A CONTROLLED DOCUMENT FOR TYCO ELECTRONICS CORPORATION IT IS SUBJECT TO CHANGE AND THE CONTROLLING ENGINEERING ORGANIZATION SHOULD BE CONTACTED FOR THE LATEST REVISION.</small> | | DWN R. GRZYBOWSKI 13FEB07 CHK P. DAMATO 13FEB07 APVD S. FLICKINGER 13FEB07 | tyco Tyco Electronics Electronics Harrisburg, PA 17105-3608 |
| DIMENSIONS: mm | TOLERANCES UNLESS OTHERWISE SPECIFIED: 0 PLC ±. 1 PLC ±.3 [.012] 2 PLC ±.15 [.006] 3 PLC ±. 4 PLC ±. ANGLES ±.5 FINISH | NAME PRODUCT SPEC APPLICATION SPEC WEIGHT | NAME CONNECTOR ASSEMBLY, SOCKET RIGHT ANGLE, SOLDER TAIL SIZE CAGE CODE DRAWING NO RESTRICTED TO |
| MATERIAL | | CUSTOMER DRAWING | A200779C-1926406 SCALE 3:1 SHEET 3 OF 3 REV A |

单击下面可查看定价，库存，交付和生命周期等信息

[>>TE Connectivity\(泰科\)](#)