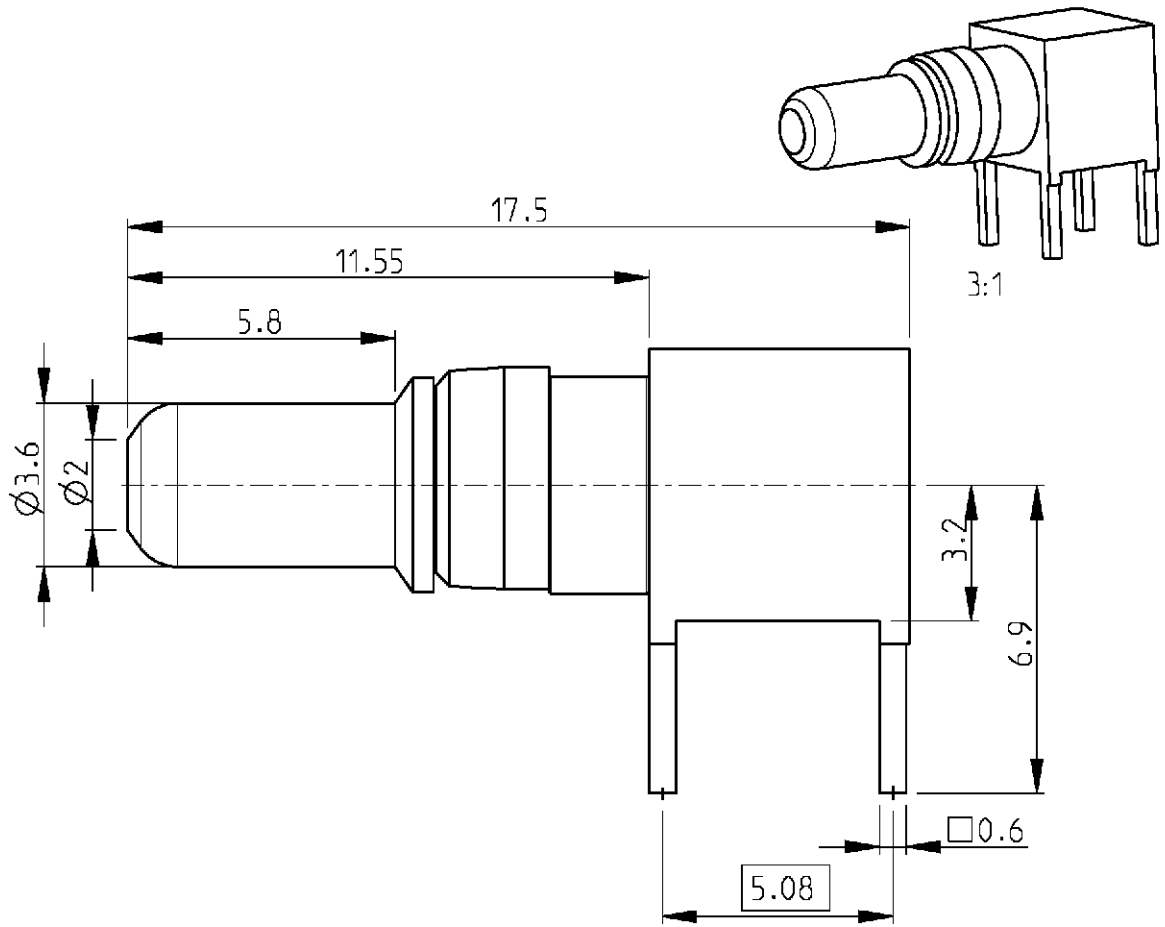


LOC	DIST	REVISIONS				
P	LTR	DESCRIPTION	DATE	DWN	APVD	
GW	-	A	-	19APR2001	BL	KM

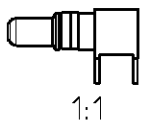


2) All dimensions are max unless otherwise specified.

1) Application : DIN 41612 type M.

Cross reference table

Old part number	Tyco part number	Current	Material	Plating
C42334-A347-A102	1-1393589-8	25 A	Brass	1 μ m Au or PD in contact area



2000

RELEASED FOR PUBLICATION

THIS DRAWING IS UNPUBLISHED.

BY TYCO ELECTRONICS CORPORATION. ALL RIGHTS RESERVED.

© COPYRIGHT 2000

DIMENSIONS:

mm

TOLERANCES UNLESS OTHERWISE SPECIFIED:

0 PLC	\pm
1 PLC	\pm
2 PLC	\pm
3 PLC	\pm
4 PLC	\pm
ANGLES	\pm



DWN 19APR2001

B. Lenvain

CHR 19APR2001

K. Mattheeuws

APVD 19APR2001

R. Leeman

PRODUCT SPEC

APPLICATION SPEC

WEIGHT

CUSTOMER DRAWING

MATERIAL

-

FINISH

-

tyco
Electronics

Tyco Electronics
Oostkamp - Belgium

NAME

High current plug
with PCB connection

SIZE

A 4

CAGE CODE

00779

DRAWING NO

C=1-1393589-8

RESTRICTED TO

-

SCALE 6/1

SHEET 1 OF 1

REV A

单击下面可查看定价，库存，交付和生命周期等信息

[>>TE Connectivity\(泰科\)](#)