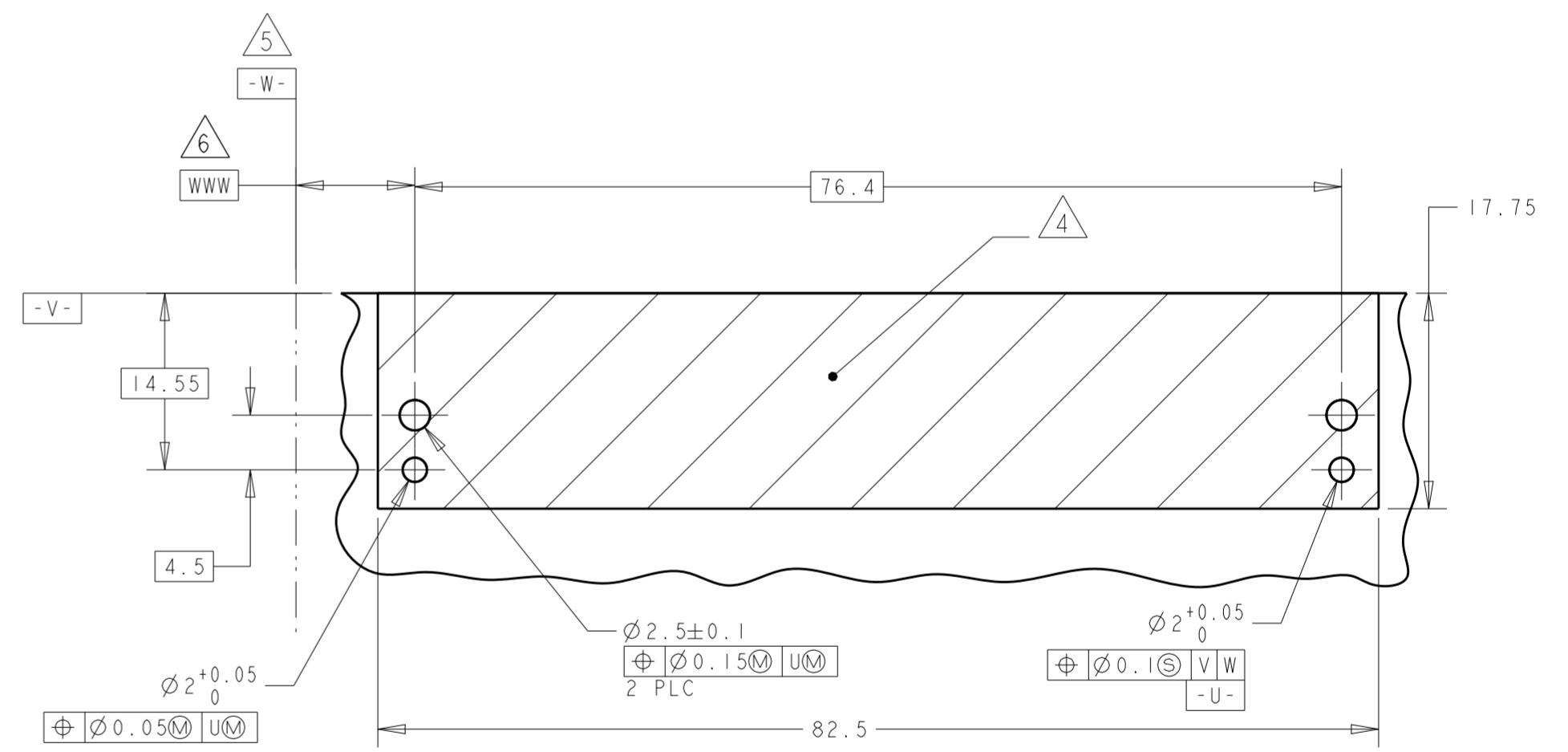
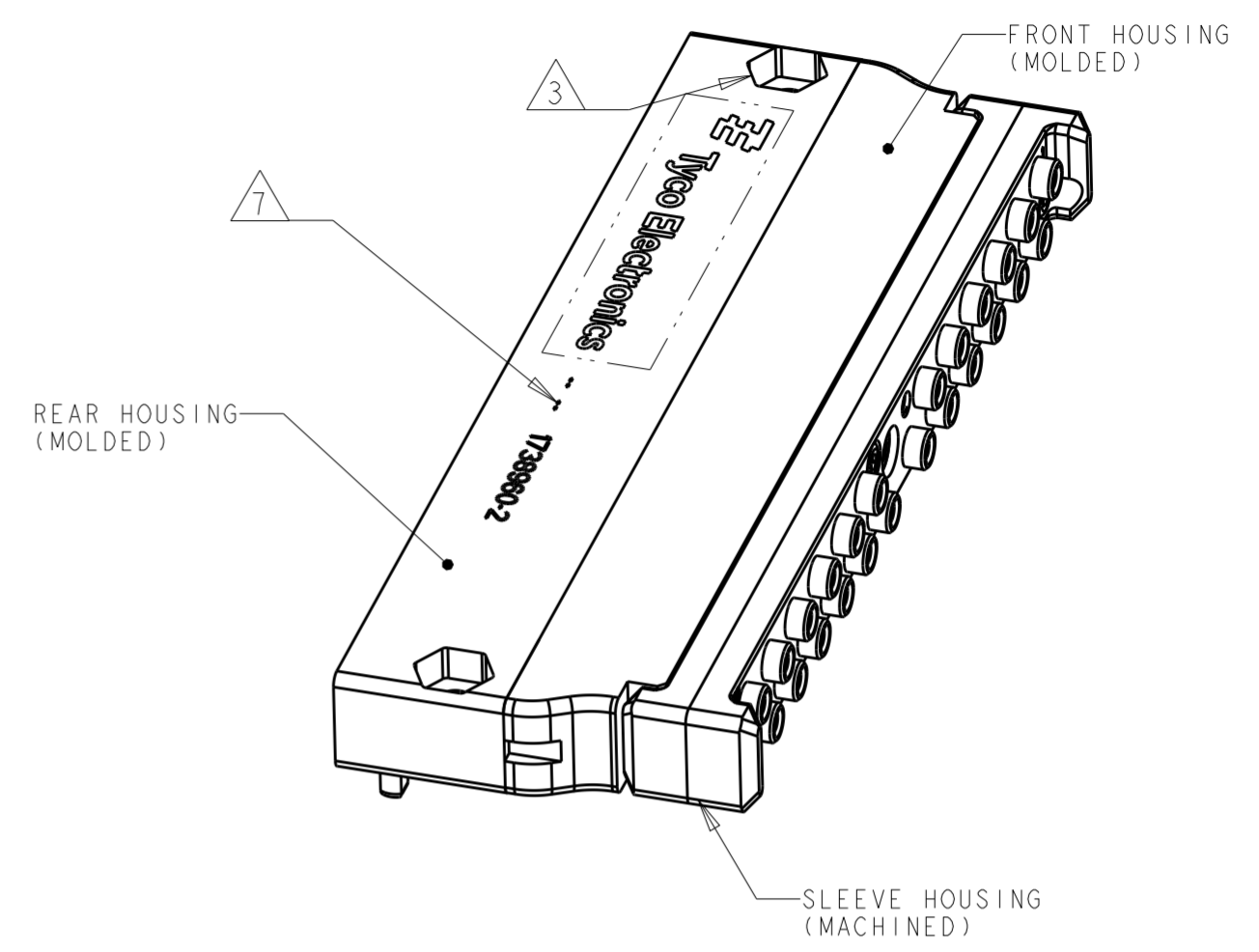
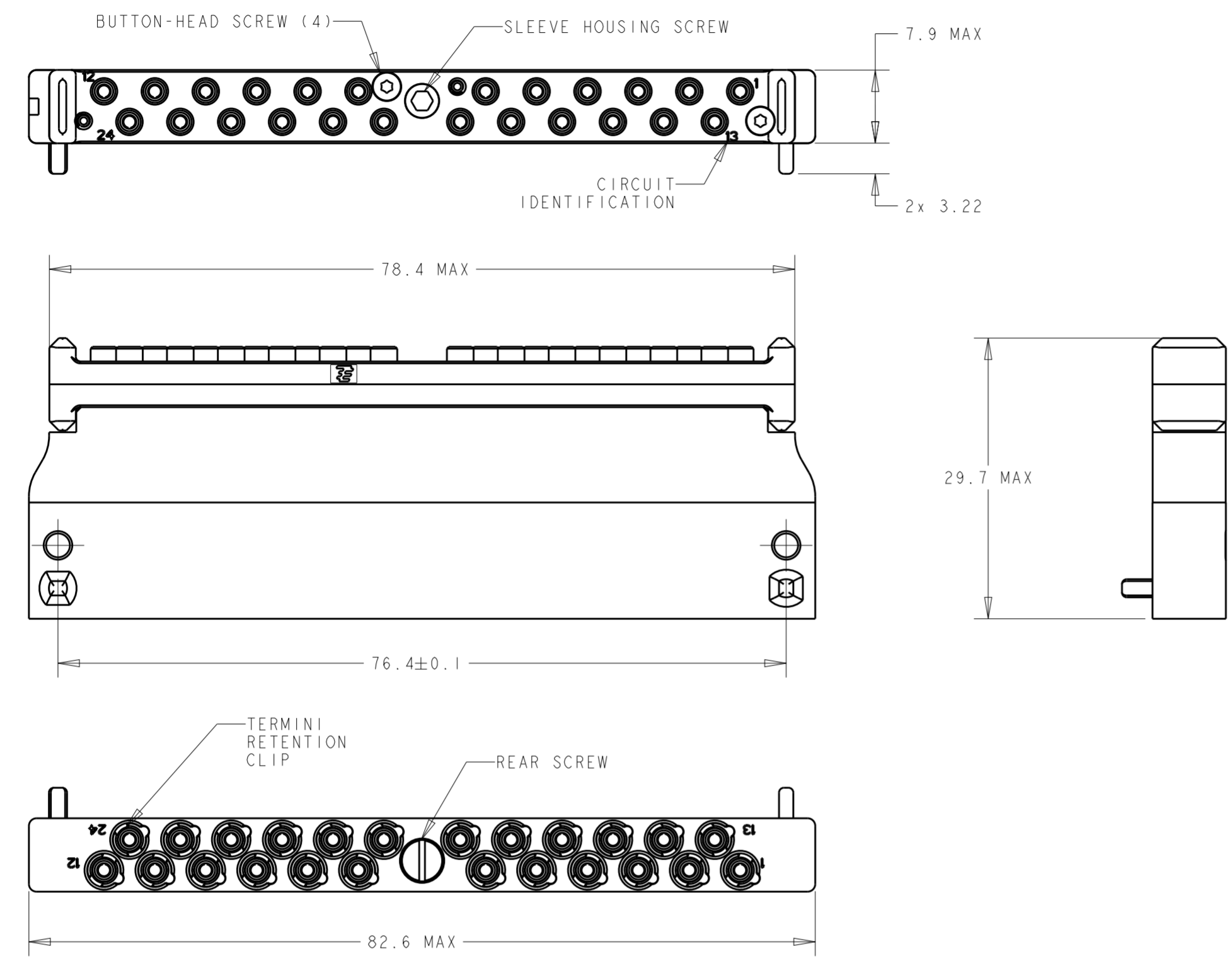


THIS DRAWING IS UNPUBLISHED. RELEASED FOR PUBLICATION 20
 © COPYRIGHT 20 BY - ALL RIGHTS RESERVED.

REVISIONS				
P	LTR	DESCRIPTION	DATE	APVD
C		REV PER ECO 17-002345	2-22-17	CT KH



RECOMMENDED PCB LAY-OUT 8 9

- 1 SLEEVE HOUSING: ALUMINUM ALLOY 6061, FRONT & REAR HOUSING: GLASS-FILLED LCP THERMOPLASTIC, UL 94 V-0 RATED, COLOR: NATURAL (BEIGE). TERMINI RETENTION CLIP: STAINLESS STEEL PER AISI 301. SLEEVE HOUSING SCREW & HOUSING NUT: STAINLESS STEEL PER AISI 303. REAR SCREW AND BUTTON-HEAD SCREW: STAINLESS STEEL. SLEEVES: ZIRCONIA
- 2 SLEEVE HOUSING: ANODIZED PER MIL-A-8625, COLOR: GOLD.
- 3 POCKETS FOR 4.76 [3/16 in] HEX NUT
- 4 AREA REQUIRED FOR CONNECTOR PLACEMENT.
- 5 DATUM ESTABLISHED BY CUSTOMER.
- 6 BASIC DIMENSION ESTABLISHED BY CUSTOMER.
- 7 DATE CODE: YEAR & WEEK (YY WW)
- 8 MISALIGNMENT ALLOWED BETWEEN THE MODULE CONNECTOR & THE CUTOUT FOR THE BACKPLANE CONNECTOR, TYCO PART NUMBER 1738965-1: 1mm MAX
- 9 ACCOMMODATES PC BOARD THICKNESS RANGE 1.47-3.05 mm.
- 10. RECOMMENDED TERMINI APPLICATION TOOLING:
 INSTALLING TOOL: DANIELS MFG. CORP. P/N DAK83-16
 REMOVAL TOOL: DANIELS MFG. CORP. P/N DRK83-16
- 11. THE SLEEVE HOLDER ASSEMBLY, 1954573-1, IS AVAILABLE SEPARATELY.
- 12. LuxCis® IS A REGISTERED TRADEMARK OF RADIALL SA.

1738960-2
SUPERCEDED BY: 1738960-2
1738960-1
PART NUMBER

THIS DRAWING IS A CONTROLLED DOCUMENT.		DWN BH 09MAY2004	STE TE Connectivity	
DIMENSIONS: mm		CHK JPM 09MAY2004		
TOLERANCES UNLESS OTHERWISE SPECIFIED:		APVD JPM 09MAY2004	NAME	
0 PLC ±0.1		PRODUCT SPEC	CONNECTOR, MODULE, 24 POSITION, FOR LuxCis OPTICAL TERMINI	
1 PLC ±0.1		108-2247	-	
2 PLC ±0.1		APPLICATION SPEC	-	
3 PLC ±		114-13192	-	
4 PLC ±		WEIGHT	-	
ANGLES ±		CUSTOMER DRAWING	-	
FINISH		SCALE 2:1	SHEET 1 OF 1	
-		RESTRICTED TO	-	

单击下面可查看定价，库存，交付和生命周期等信息

[>>TE Connectivity\(泰科\)](#)