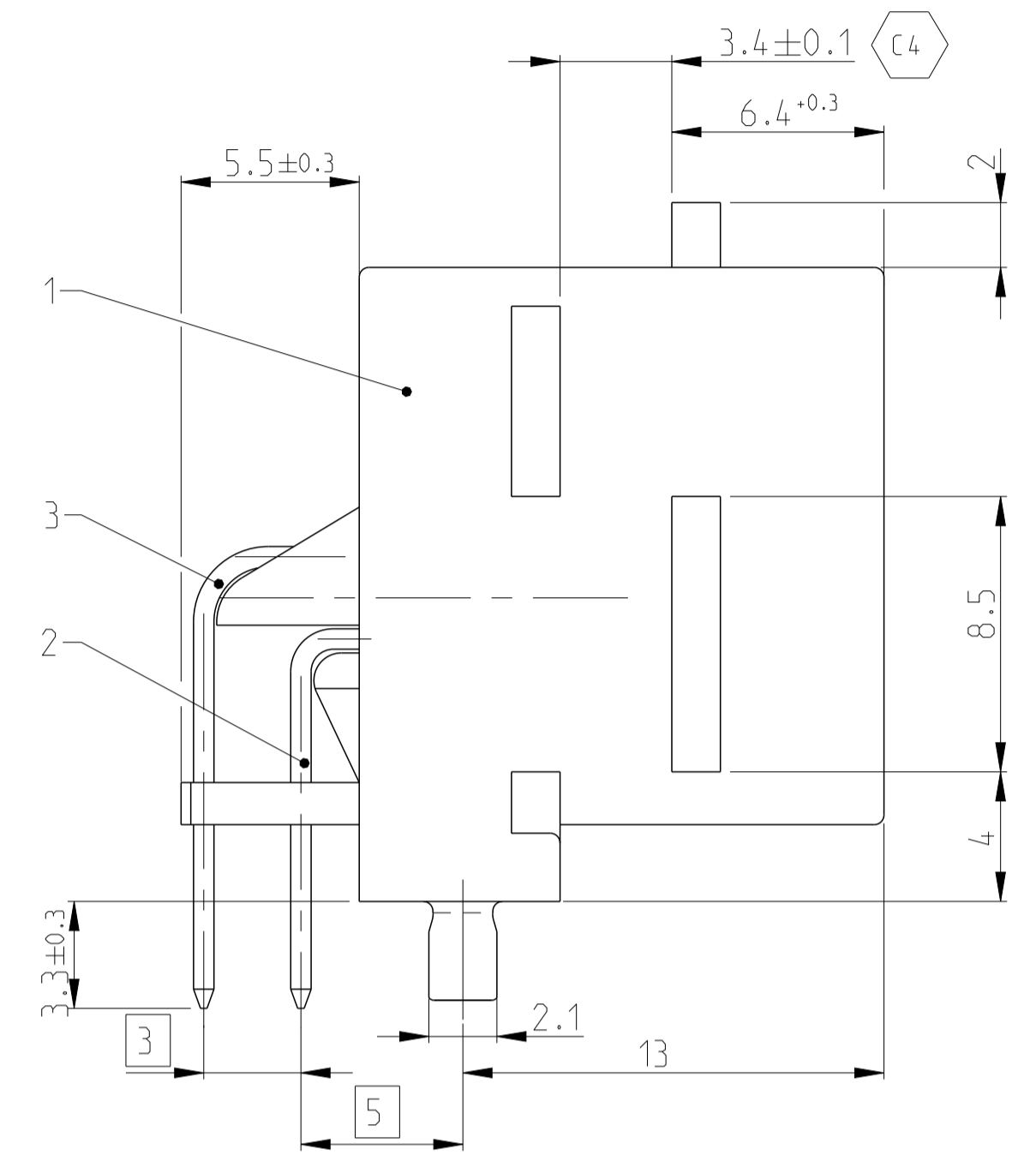
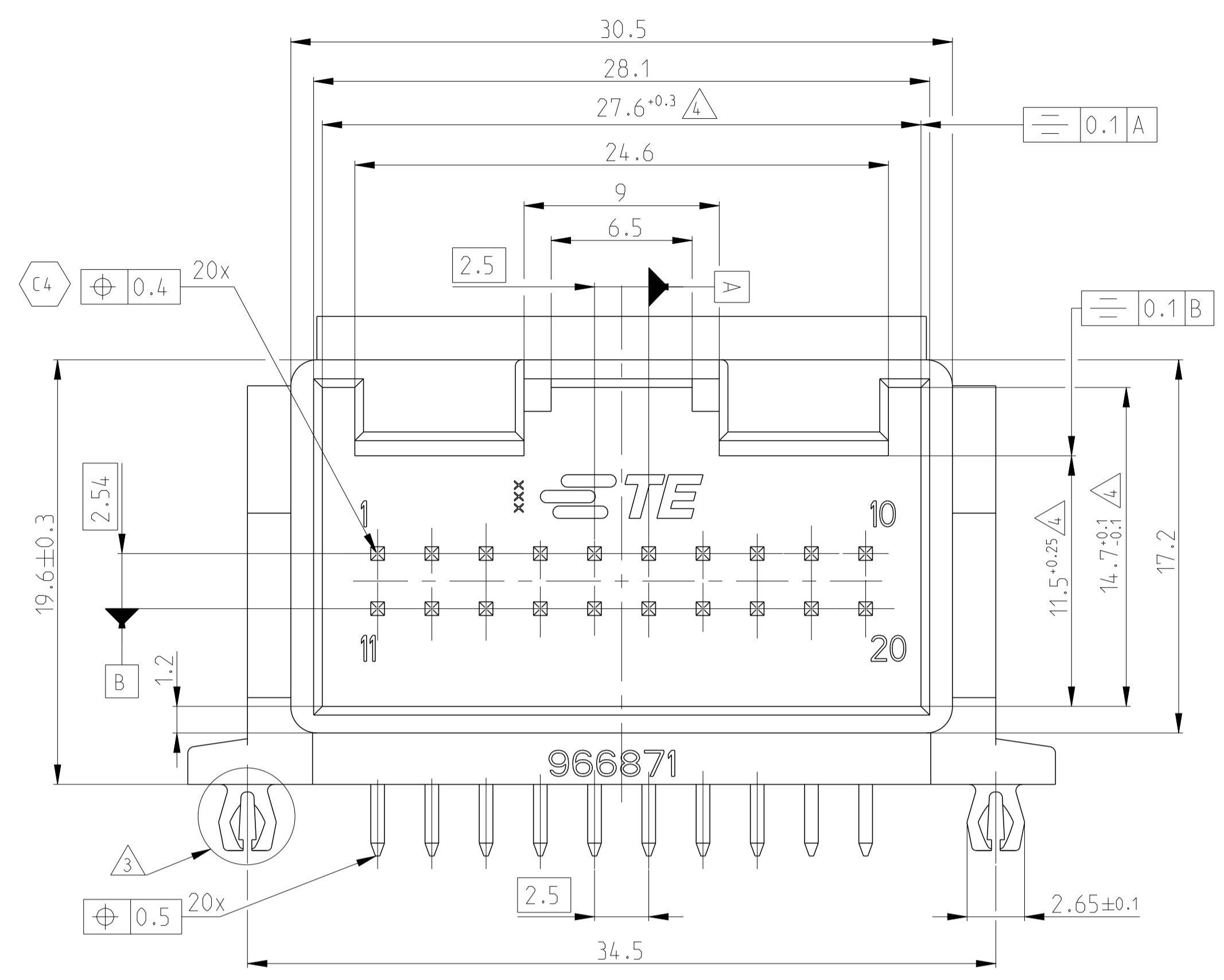
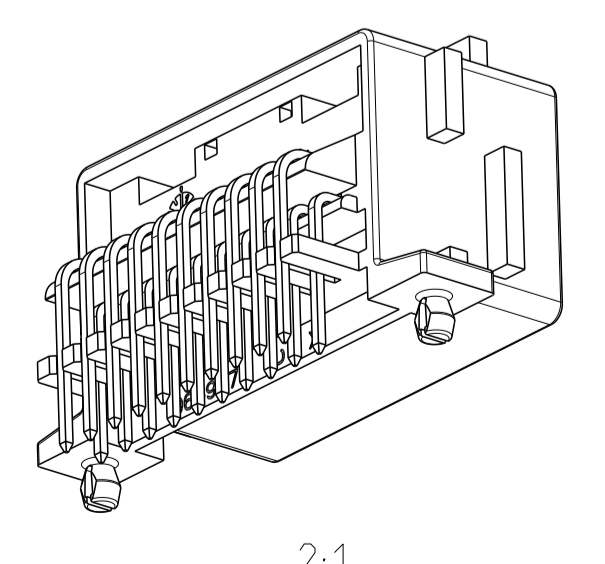
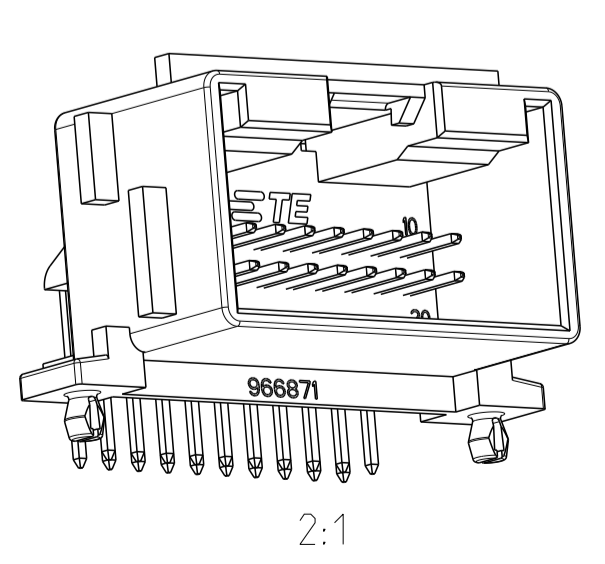
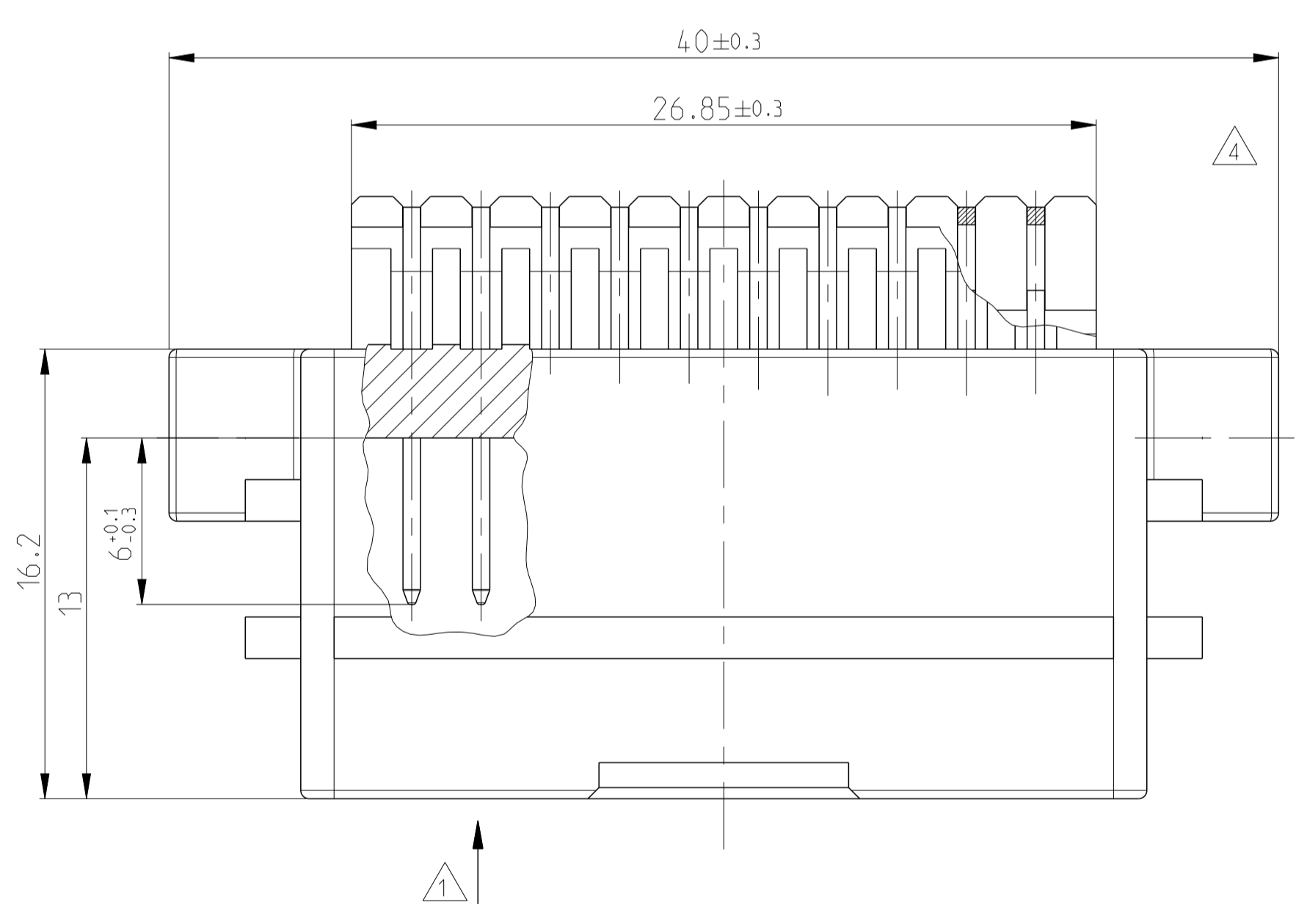
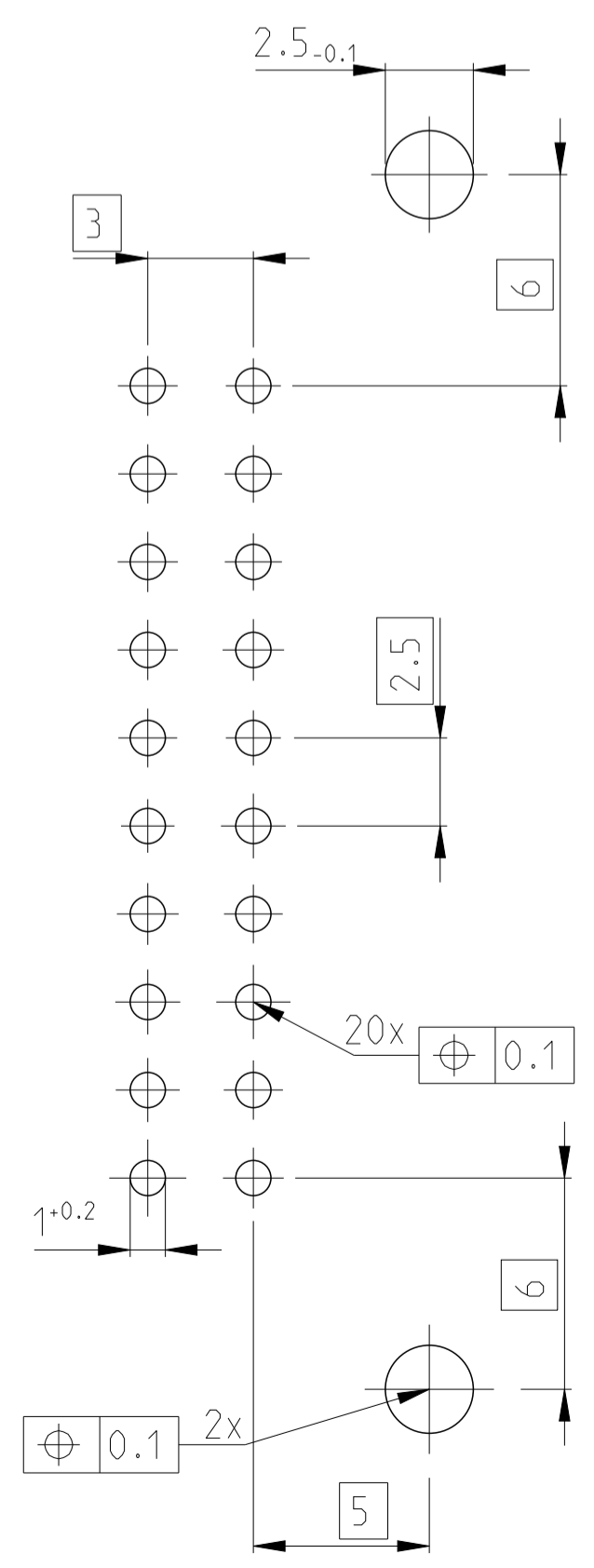


REVISIONS					
P.	LTH	DESCRIPTION	DATE	DWN	APVD
C1		Revision angepasst	31JAN01	KS	-
C2		Bemerkung 4 an Mass 11.5-0.25	13OCT04	GF	BL
C3		NEW PACKAGING	04MAR2009	PS	MZ
C4		ECR-18-008211	29MAY2018	SCK	GB



Empfohlenes
Leiterplattenbohrbild
RECOMMENDED
CIRCUIT BOARD



Bemerkungen

- 1 Kontaktausdrueckkraft min. 40N
- 2 Passender Anschlussstecker:
Abdeckkappen VW/Audi: 969422
Abdeckkappen Neutral: 969546
Kontaktgehaeuse: 828929-3
969683-X
- 3 Rastzapfen fuer Leiterplattendicke 1.5mm
- 4 Formbedingter Einfall max. ±0.3 zul.
- 5 Verpackung A:
Karton PN 740906-1
Tray PN 740966-2
Zwischenlage (338x535mm)
- 6 Verpackung B:
Karton PN 740906-1
Tray PN 740966-2
Beutel PN 1379066-3

NOTES

- 1 PRESS OUT FORCE MIN. 40N
- 2 SUITABLE CONNECTOR:
SHIELDS VW/AUDI : 969422
SHIELDS NEUTRAL: 969546
CONTACT HOUSING: 828929-3
969683-X
- 3 LOCKING PIN FOR PCB THICKNESS 1.5MM
- 4 TOOL DEPENDENT WARPAGE MAX. ±0.3 PERMITTED
- 5 PACKAGING A:
BOX PN 740906-1
TRAY PN 740966-2
CORRUCATED INNER LAYER (338X535mm)
- 6 PACKAGING B:
BOX PN 740906-1
TRAY PN 740966-2
BAG PN 1379066-3

6	1-966 871-1	C	3	10	MODU II PIN □0.63 (26.9MM)	CuSn6	TIN-PLATED	B
			2	10	MODU II PIN □0.63 (21.7MM)	CuSn6	TIN-PLATED	
5	966 871-1	C	1	1	2X10 POS. PIN-HEADER	PBT-GF 15	BLACK	A
			3	10	MODU II PIN □0.63 (26.9MM)	CuSn6	TIN-PLATED	
	TE-ORDER-NO.	REV.	POS.	QTY.	DESCRIPTION	MATERIAL	SURFACE COLOUR	PACKAGING
THIS DRAWING IS A CONTROLLED DOCUMENT.						DWN: K.Sellien 07MAR96	TE Connectivity	
DIMENSIONS: mm						CHK: B.Kirsch 07MAR96	NAME: AMPMODU MODU II Stiftleiste, 2x10 pol.	
TOLERANCES UNLESS OTHERWISE SPECIFIED:						APVD: -	PRODUCT SPEC: -	
MATERIAL: S. TAB. -						FINISH: -	APPLICATION SPEC: -	
WEIGHT: 6.64 g						SIZE: A1	CAGE CODE: 00779	
CUSTOMER DRAWING						SCALE: 5:1	SHEET 1 OF 1	

单击下面可查看定价，库存，交付和生命周期等信息

[>>TE Connectivity\(泰科\)](#)