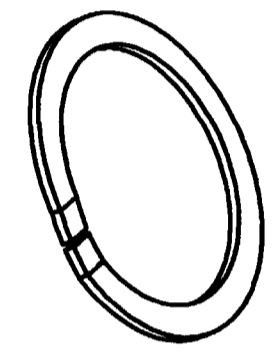
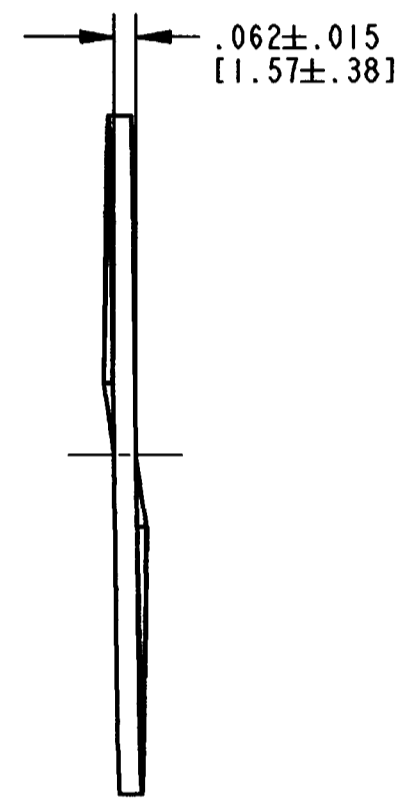
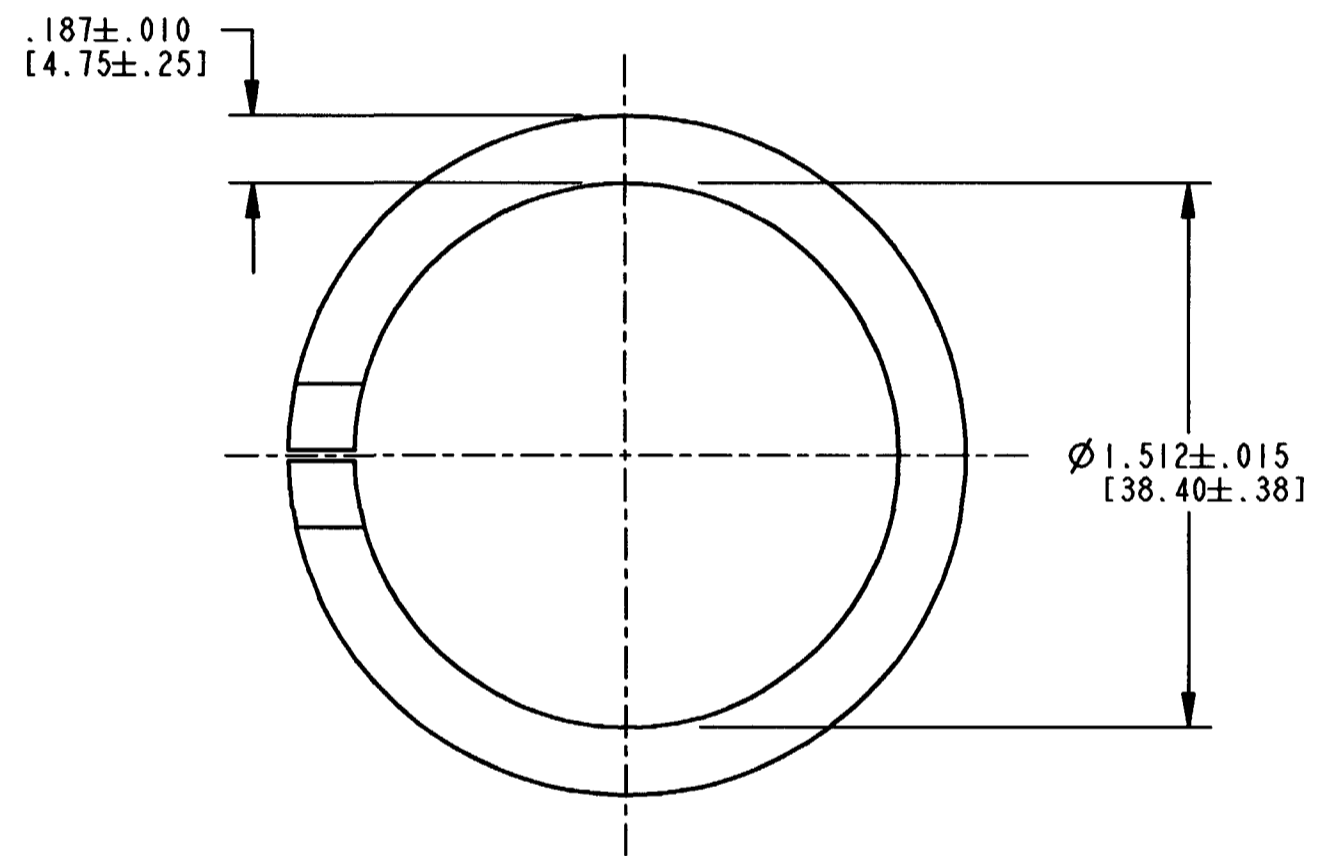


REV  
D 114021

| REVISIONS |                                |         |          |
|-----------|--------------------------------|---------|----------|
| SYM       | DESCRIPTION                    | DATE    | APPROVED |
| B         | REVISED/REDRAWN PER E.O. 73039 | 4/4/74  | ANDREWS  |
| C         | REVISED PER E.O. P18581        | 6/14/04 | R.D.R.   |
| D         | REVISED PER E.O. P19795        | 4-25-08 | AD       |



3D VIEW

NOTES: 1. MATERIAL - STAINLESS STEEL.

| SIGNATURE & DATE |                     |
|------------------|---------------------|
| DR               | X. SANCHEZ 21MAY04  |
| CHK              | [Signature] 4/25/08 |
| PE               | [Signature] 4/21/08 |
| APPD             | [Signature] 4-23-08 |
| SCALE            | NONE WT             |

LOCKWASHER  
RECEPTACLE  
BAYONET COUPLING CONNECTOR  
SIZE 18  
HD SERIES  
  
ENVELOPE

|  |                       |
|--|-----------------------|
| CP   | MATL. CODE            |
| <b>The Deutch Company</b><br>DEUTSCH I.P.D.<br>3850 INDUSTRIAL AVE.<br>HEMET, CALIF. 92545 |                       |
| <b>B</b>   | <b>114021</b>         |
| DWG SIZE   | CODE 11139 SHEET   OF |

单击下面可查看定价，库存，交付和生命周期等信息

[>>TE Connectivity\(泰科\)](#)