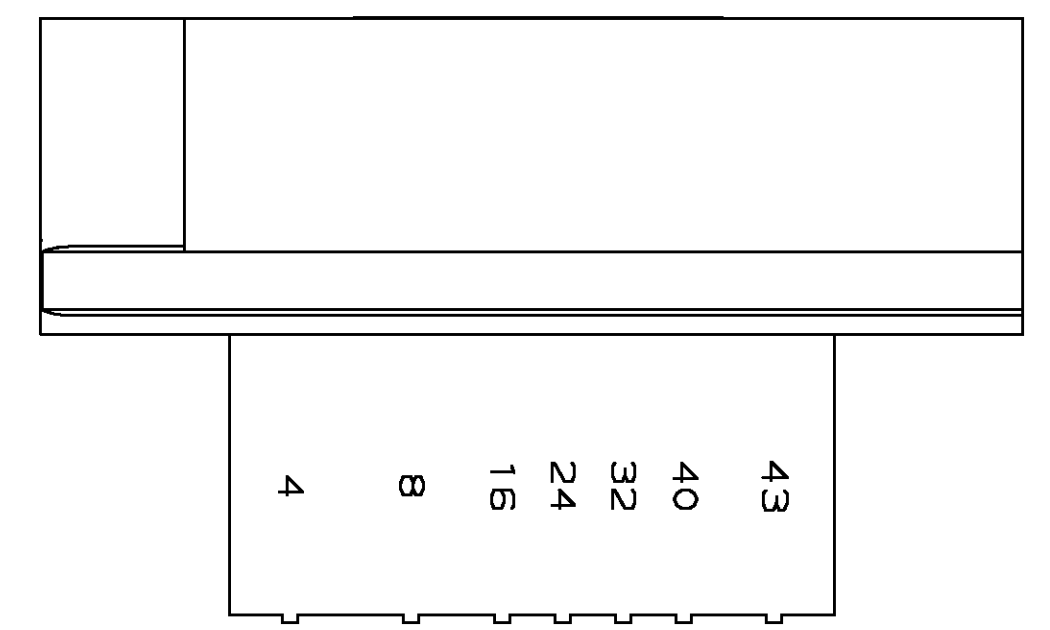
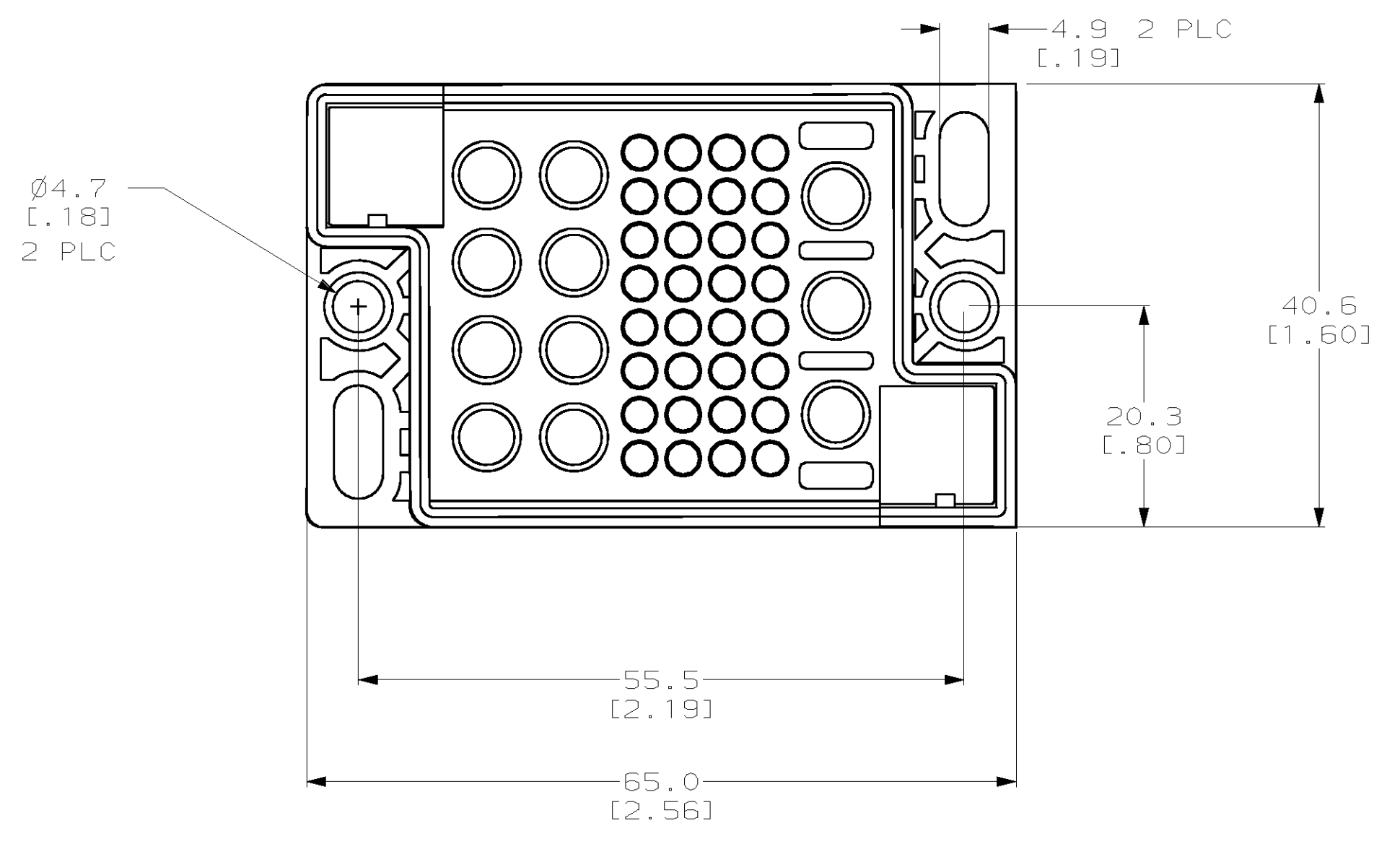
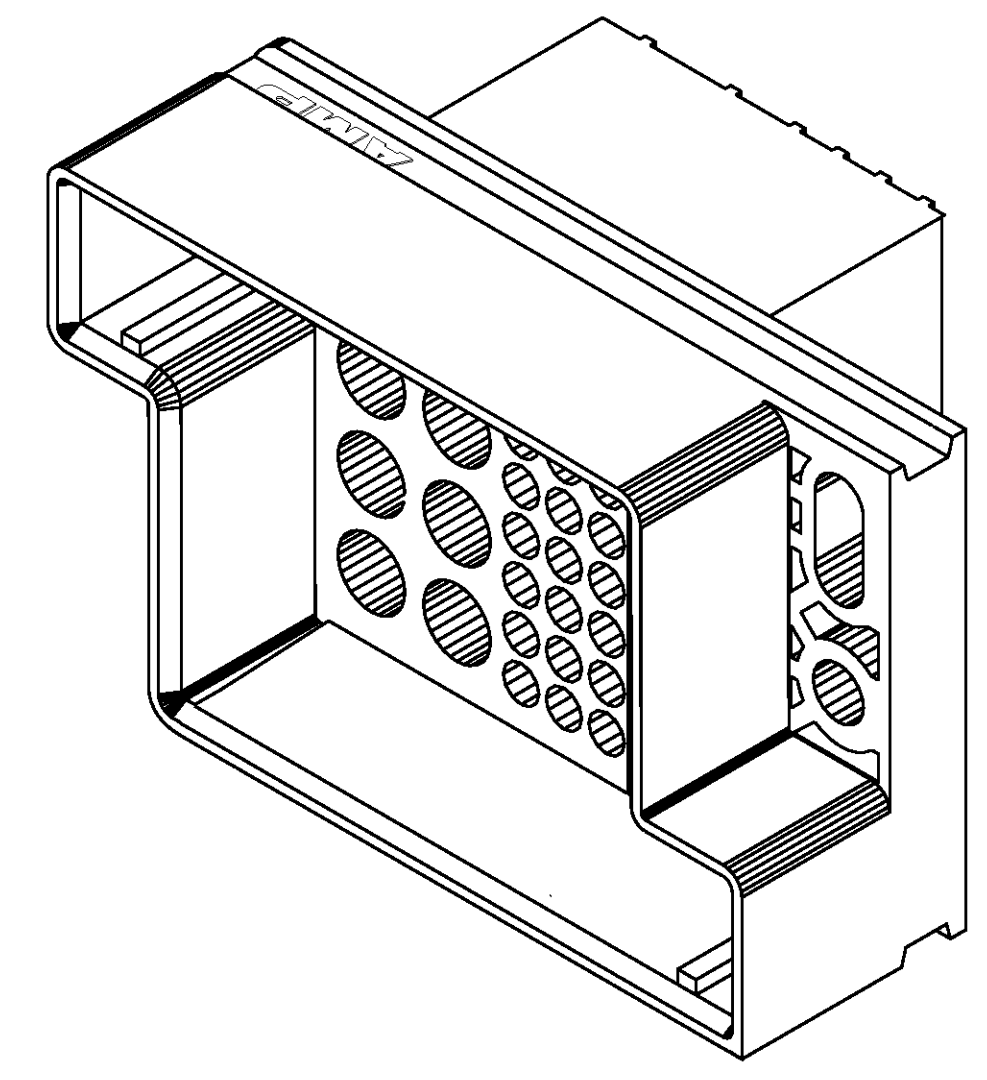
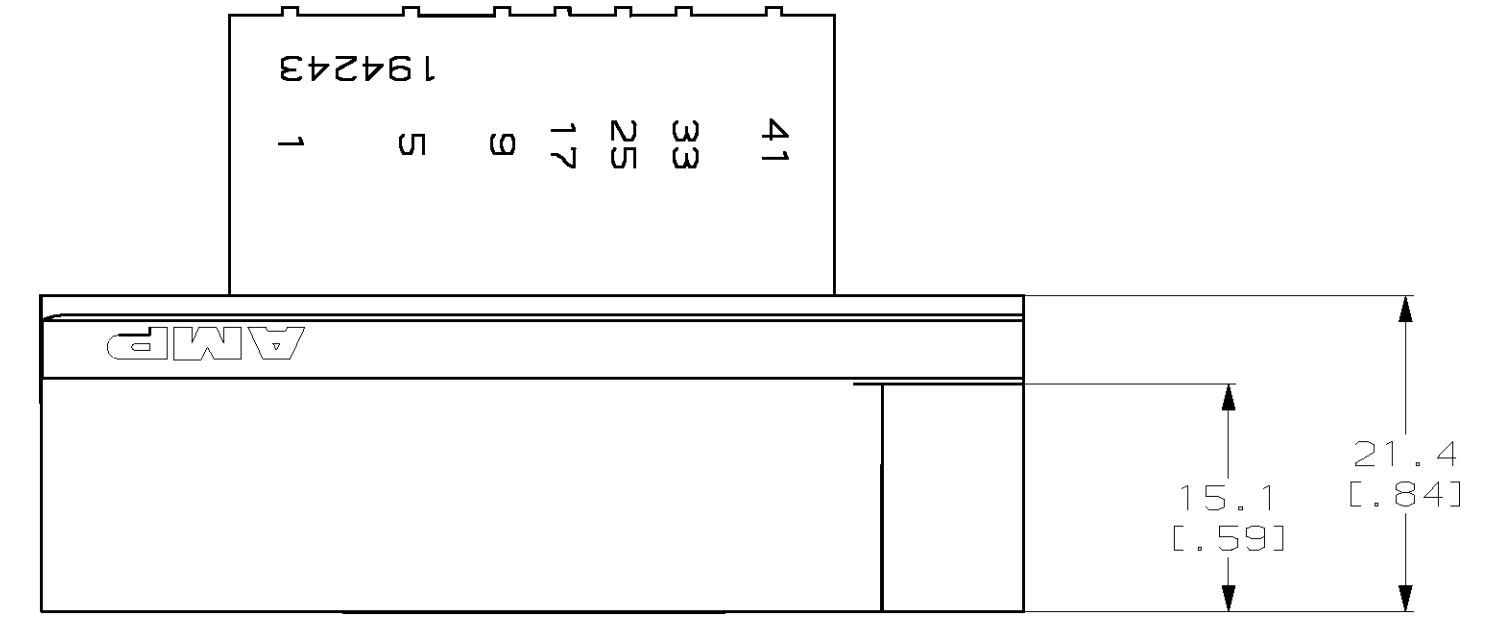


REV1510NS					
CH	11	REV	DESCRIPTION	DATE	APVD
A	EC	0B20-0551-97		25/APR/97	RNP RAR
B	EC	0B20-0126-98		22/JAN/98	DAP RAR
C	EC	0B20-0188-98		22/JAN/98	DAP RAR
D	EC	0B20-0093-99		20/JAN/99	RNP RAR

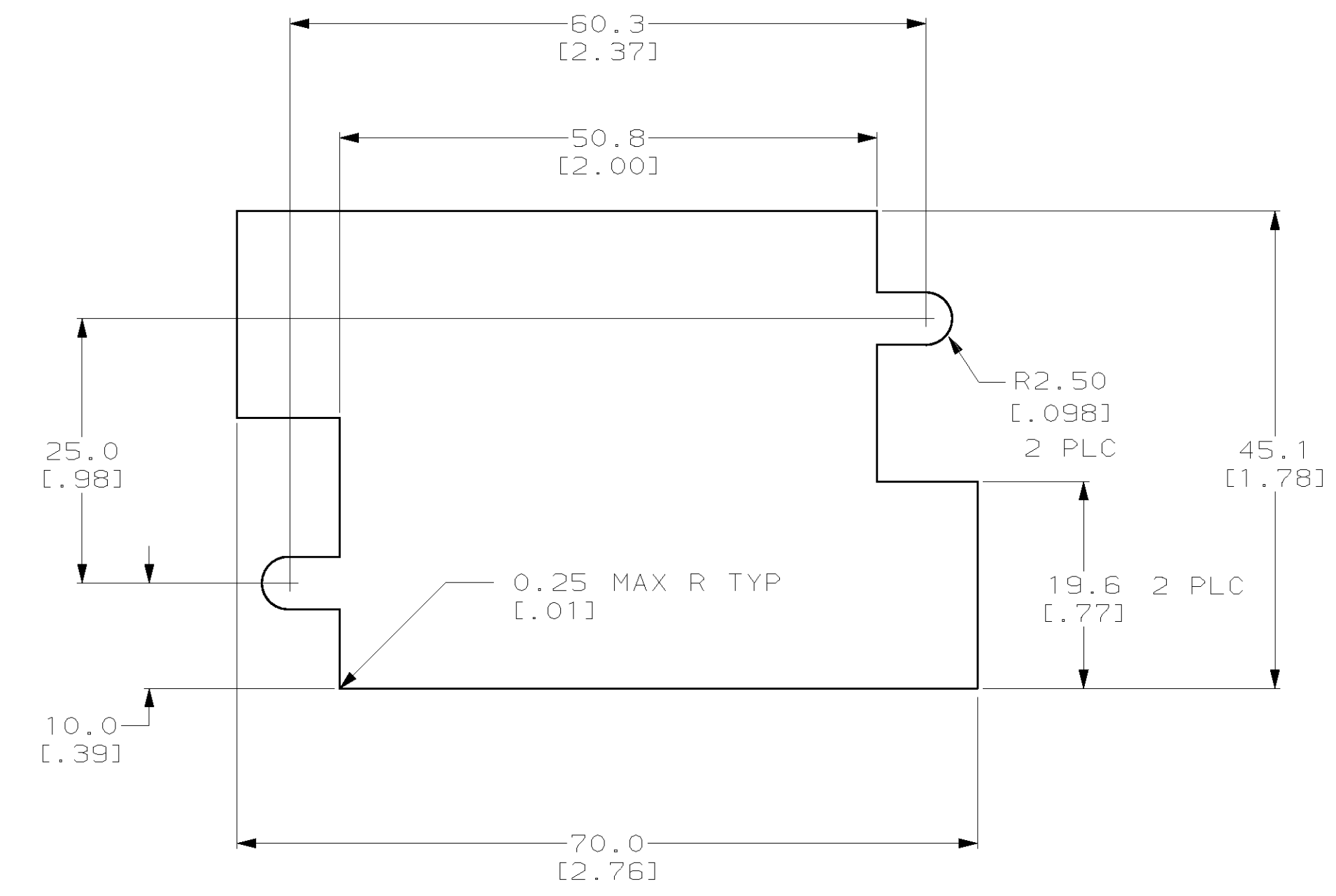
* AMPPOWER is a trademark



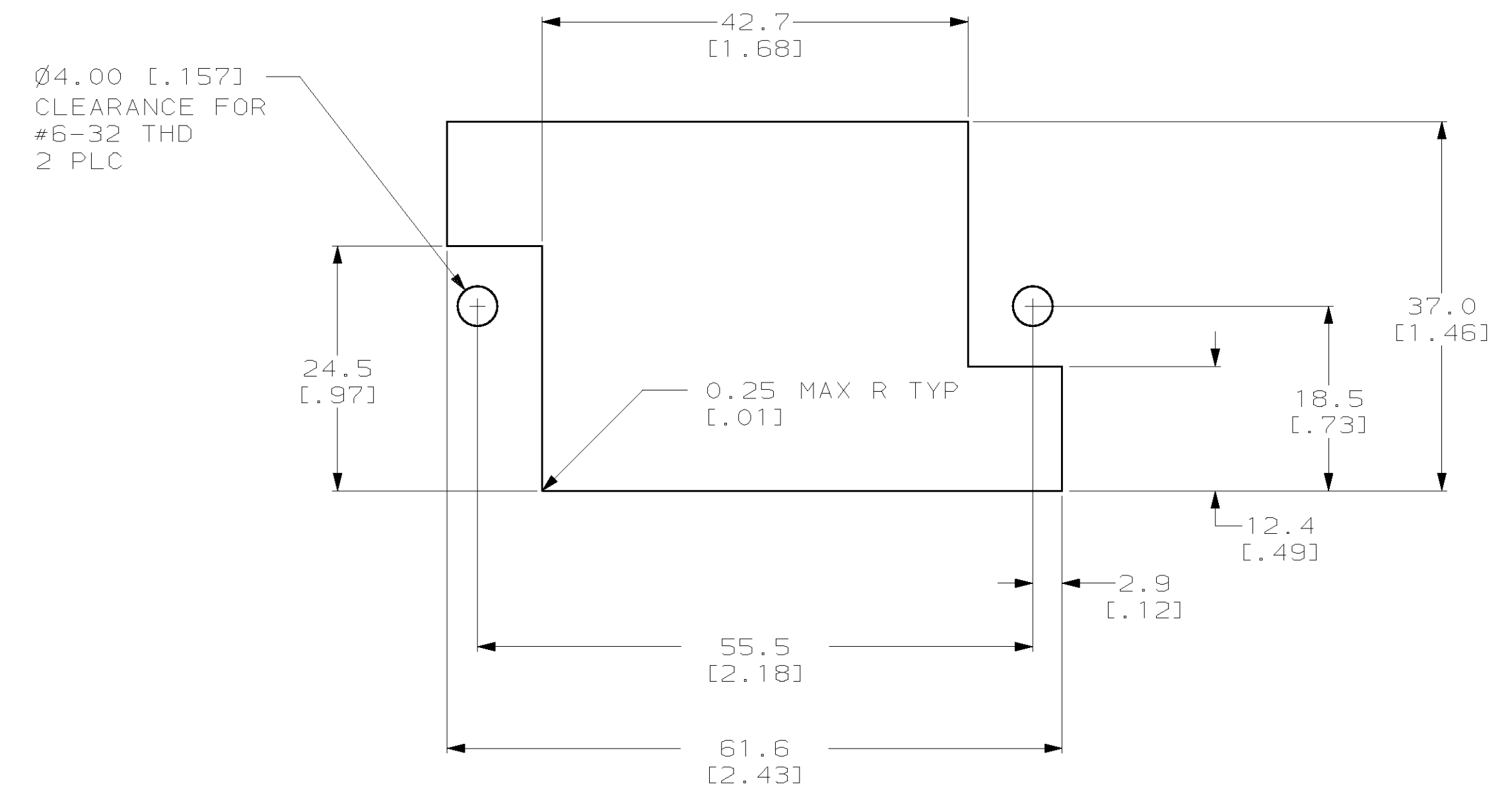
194243-1
PART NO

- POSITIONS 1-8 ARE FOR 3mm CONTACTS.
- POSITIONS 9-40 ARE FOR SIZE 16 CONTACTS.
- POSITIONS 41-43 ARE FOR 3mm CONTACTS.
- INSERTS ARE NOT REQUIRED WHEN FLOAT MOUNTING.
- ALL DIMENSIONS EXCEPT PANEL CUTOUTS ARE REFERENCE ONLY.

<small>THIS DRAWING IS A CONTROLLED DOCUMENT AND IS UNPUBLISHED. IT IS SUBJECT TO CHANGE AND THE CONTROLLING ENGINEERING DEPARTMENT SHALL BE CONTACTED FOR THE LATEST REVISION.</small>		DWN: R N POLK CHK: 25APR97	AMP AMP Incorporated Harrisburg, PA 17105-3608
DIMENSIONS: mm (in)	TOLERANCES UNLESS OTHERWISE SPECIFIED: 0 PLC ±.01 1 PLC ±.01 2 PLC ±.01 3 PLC ±.01 4 PLC ±.01 ANGLES ±.01	APVD: - PRODUCT SPEC: - APPLICATION SPEC: - WEIGHT: -	SIZE: A1 CAGE CODE: 00779 DRAWING NO: C=194243 SCALE: 2:1 SHEET: 12 REV: 0
MATERIAL: POLYESTER PCT, BLACK FINISH: -		CUSTOMER DRAWING	



RECOMMENDED FLOAT MOUNT PANEL CUTOUT #5
 EXTERNAL VIEW



RECOMMENDED STATIONARY MOUNT PANEL CUTOUT #6
 EXTERNAL VIEW

THIS DRAWING IS A CONTROLLED DOCUMENT.		DWN	R. N. POLK	25/APR/97
DIMENSIONS:		CHK	-	-
mm (in)	TOLERANCES UNLESS OTHERWISE SPECIFIED:	APVD	-	-
0 PLC	±	NAME	AMP Incorporated Harrisburg, PA 17105-3608	
1 PLC	±	PRODUCT SPEC	AMPPOWER Multi Pin Plus HOUSING, RECEPTACLE	
2 PLC	±	APPLICATION SPEC	SIZE	CAGE CODE
3 PLC	±	WEIGHT	A1	00779
4 PLC	±	CUSTOMER DRAWING	DRAWING NO	C-194243
ANGLES	±	SCALE	2/1	SHEET 22
MATERIAL	FINISH	REV	C	

单击下面可查看定价，库存，交付和生命周期等信息

[>>TE Connectivity\(泰科\)](#)