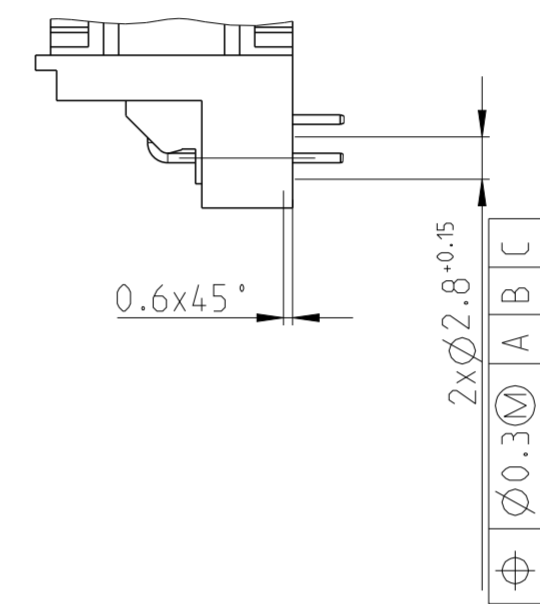
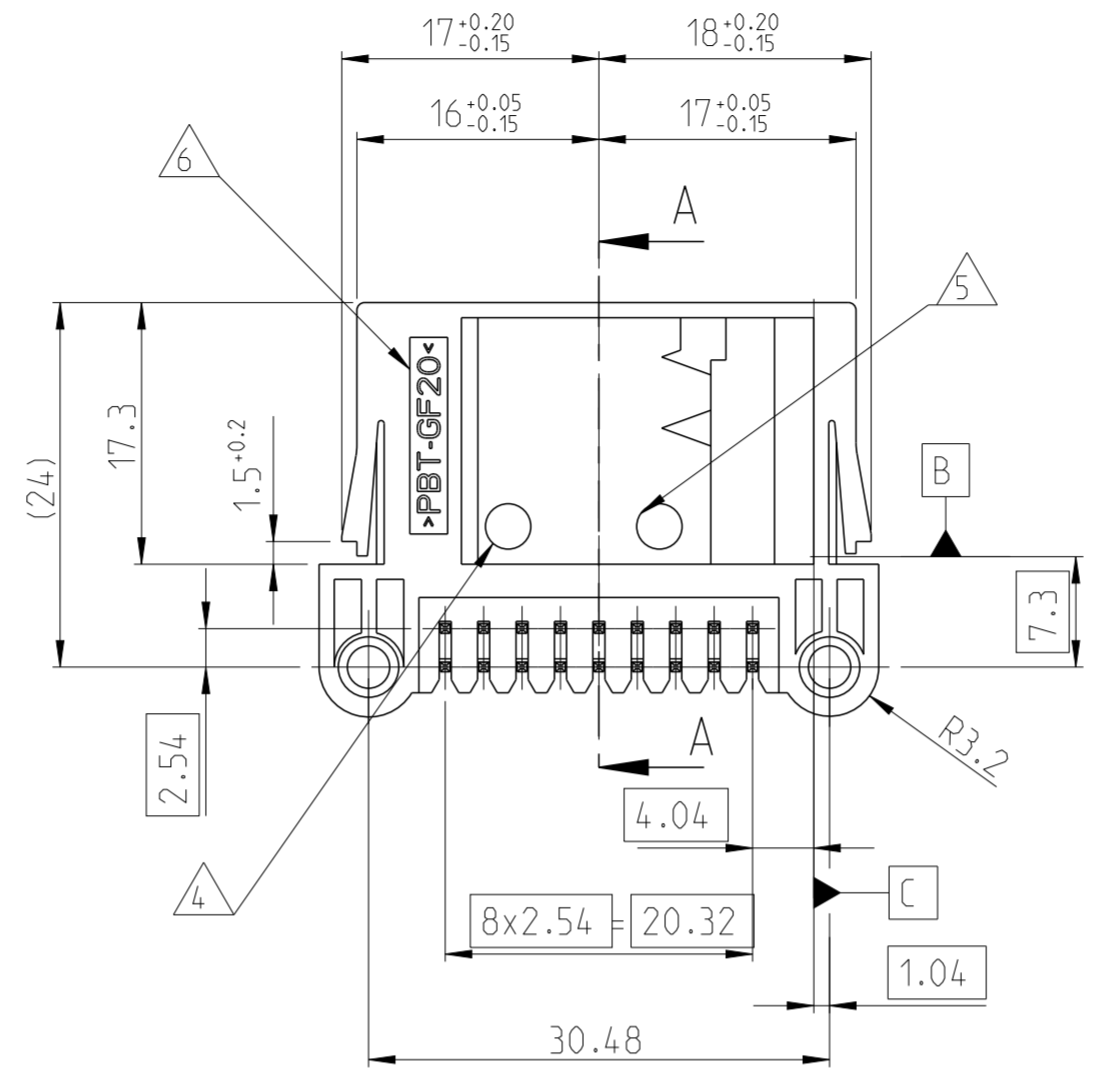
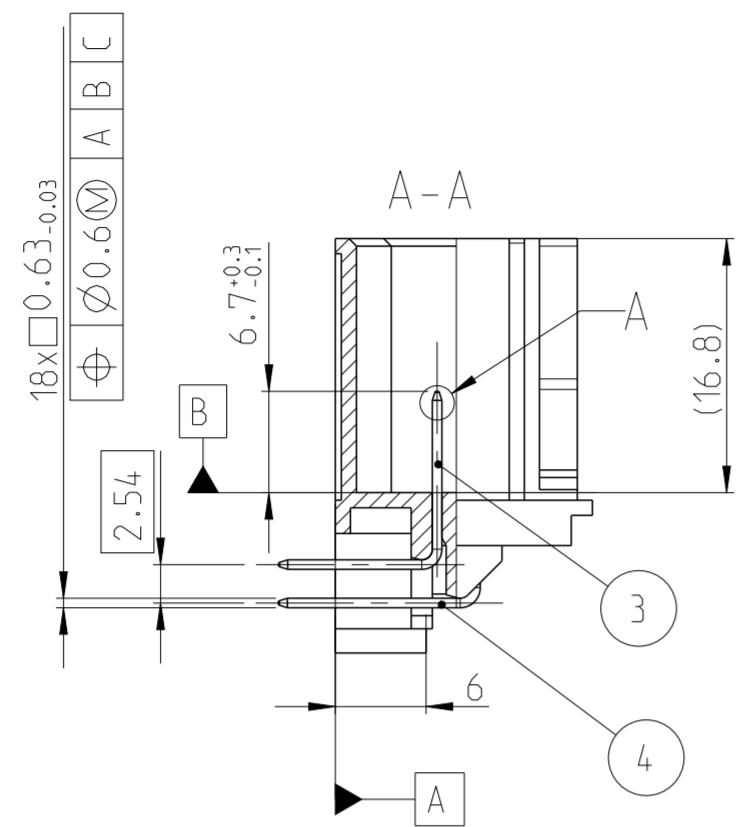
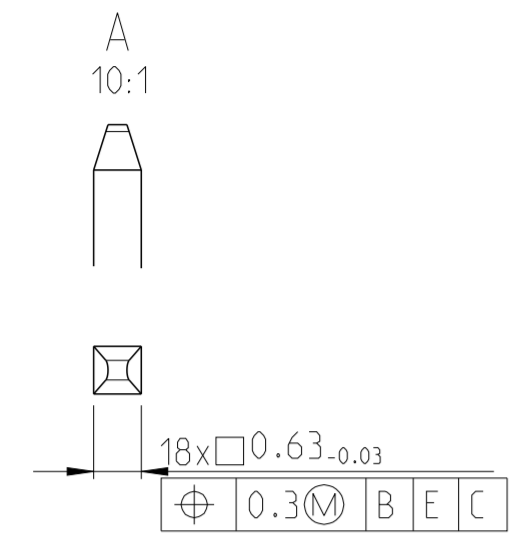


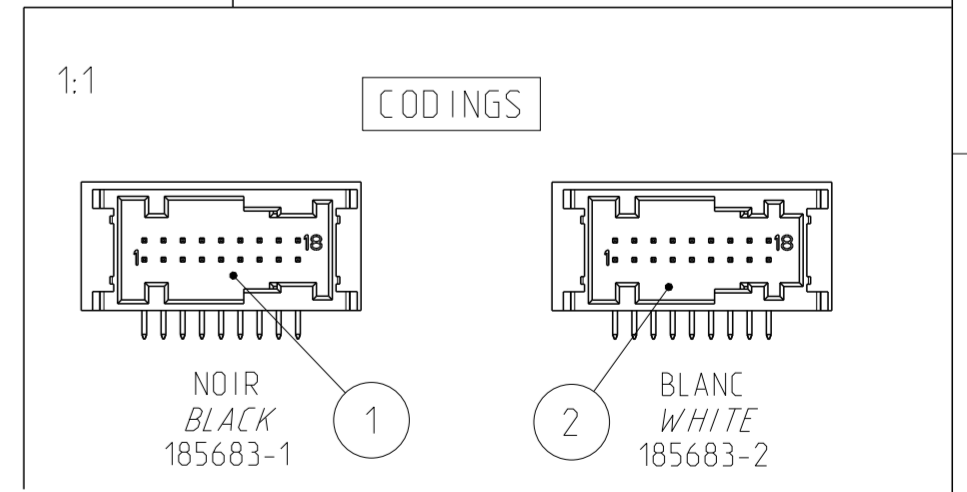
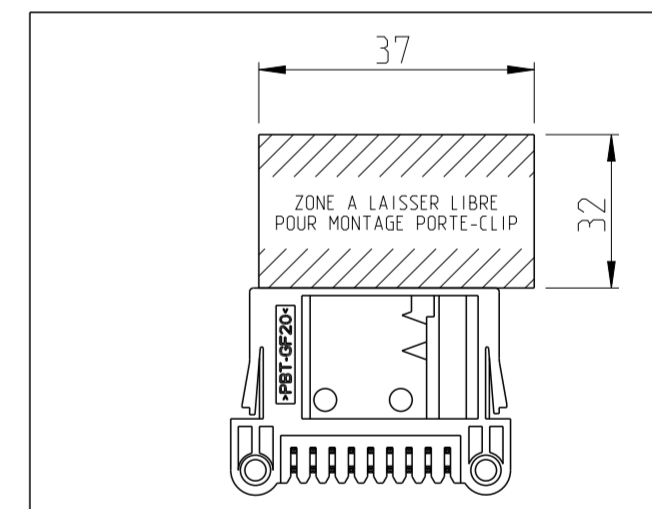
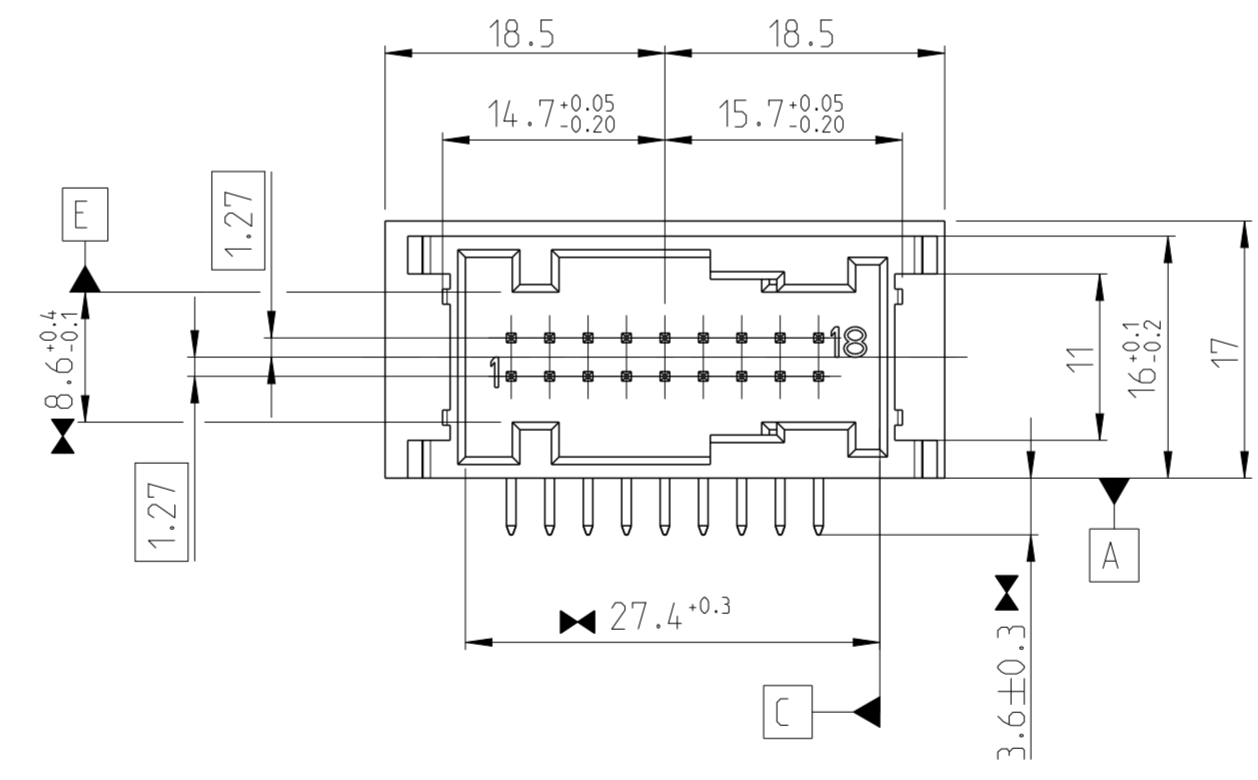
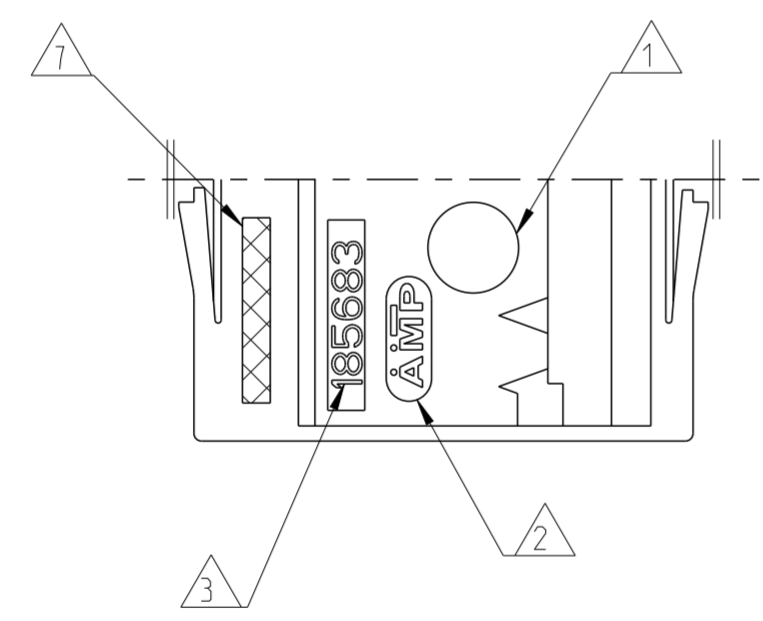
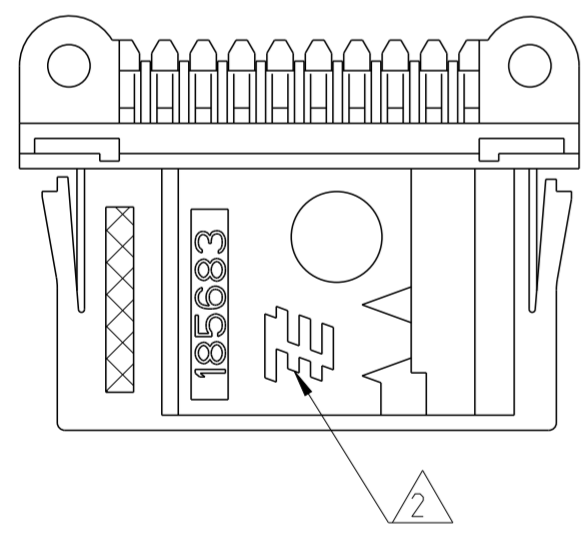
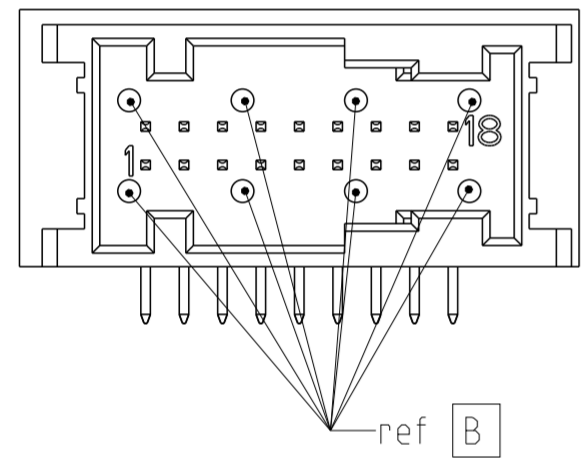
THIS DRAWING IS UNPUBLISHED. RELEASED FOR PUBLICATION 20
 © COPYRIGHT 20 BY - ALL RIGHTS RESERVED.

REVISIONS					
P	LTR	DESCRIPTION	DATE	DWN	APVD
E		ADD VIEW "OTHER FORM POSSIBLE"	07AUG2012	SG	JL
F		MODIFY PRODUCT SPEC NUMBER	19MAR2013	SG	JL



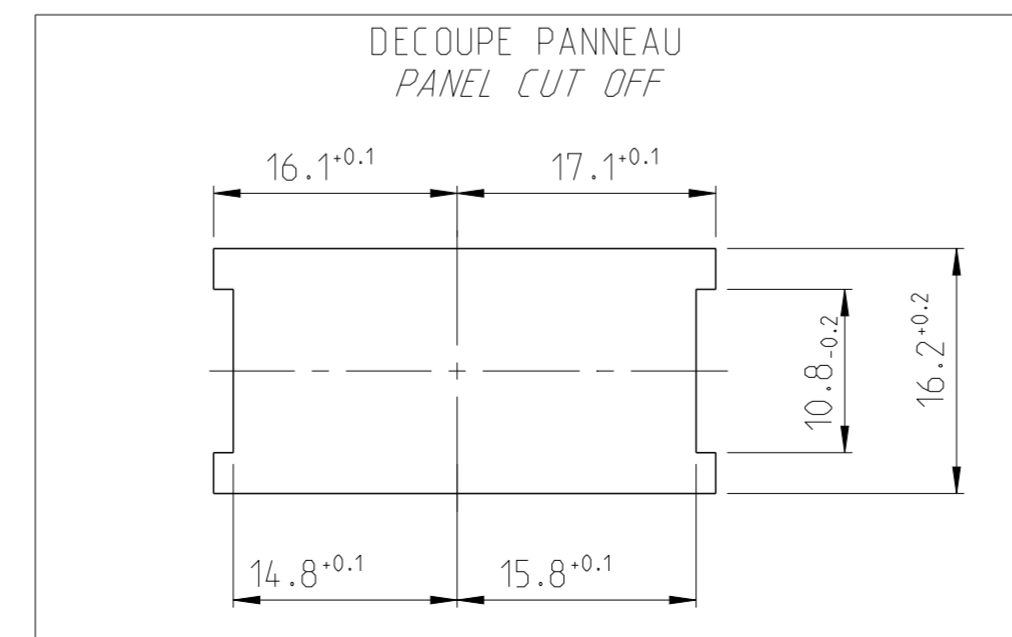
- 1 DATE DE FABRICATION
MOLDING DATE
- 2 LOGO TE
- 3 REFERENCE DU PRODUIT ASSEMBLE
PN ASSEMBLY
- 4 INDICE DE REVISION DU MOULE
MOLD REVISION
- 5 N° D'EMPRENTE DU MOULE
MOLD CAVITY NUMBER
- 6 MATIERE: PBT GF20
MATERIAL: PBT GF20
- 7 DATE D'ASSEMBLAGE
ASSEMBLY DATE
- ▶ COTE CAPABILITE
CAPABILITY DIMENSION

AUTRE FORME POSSIBLE
OTHER FORM POSSIBLE



REV	ASSY PN	MATERIAL	DESIGNATION	COLOR	REP
A	185683-1	CuSn6	CONTACT MQS LONG LONG MQS PIN		4
-	185683-2	CuSn6	CONTACT MQS COURT SHORT MQS PIN		3
		PBT GF20	BOITIER CODAGE 2 HOUSING CODING 2	BLANC WHITE	2
		PBT GF20	BOITIER CODAGE 1 HOUSING CODING 1	NOIR BLACK	1
	QTY	MATERIAL	DESIGNATION	COLOR	REP

REMARQUE:
FINITION CONTACTS: POST-ETAME
PINS FINISH: POST-TIN



THIS DRAWING IS A CONTROLLED DOCUMENT.

DIMENSIONS: mm	TOLERANCES UNLESS OTHERWISE SPECIFIED: ±0.3	DWN S. GALLERAND 02AUG2012	TE Connectivity NAME 18 W MQS HEADER BENT LEFT WITH EAR SIZE A2 CAGE CODE 00779 DRAWING NO C-185683 RESTRICTED TO -
MATERIAL	ANGLES FINISH #°	CHK J. LALANGE 02AUG2012	
		APVD J. LALANGE 02AUG2012	
		PRODUCT SPEC 108-15151 APPLICATION SPEC - WEIGHT -	
CUSTOMER DRAWING		SCALE 2:1	SHEET 1 OF 1 REV F

单击下面可查看定价，库存，交付和生命周期等信息

[>>TE Connectivity\(泰科\)](#)