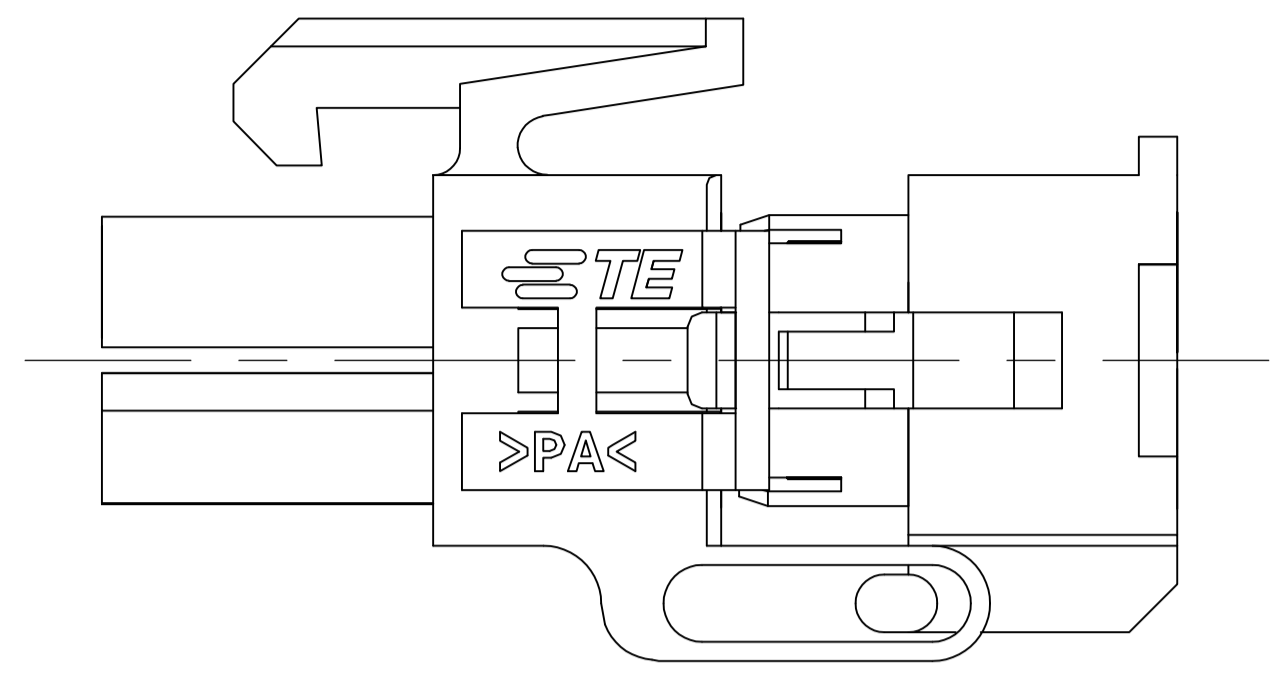
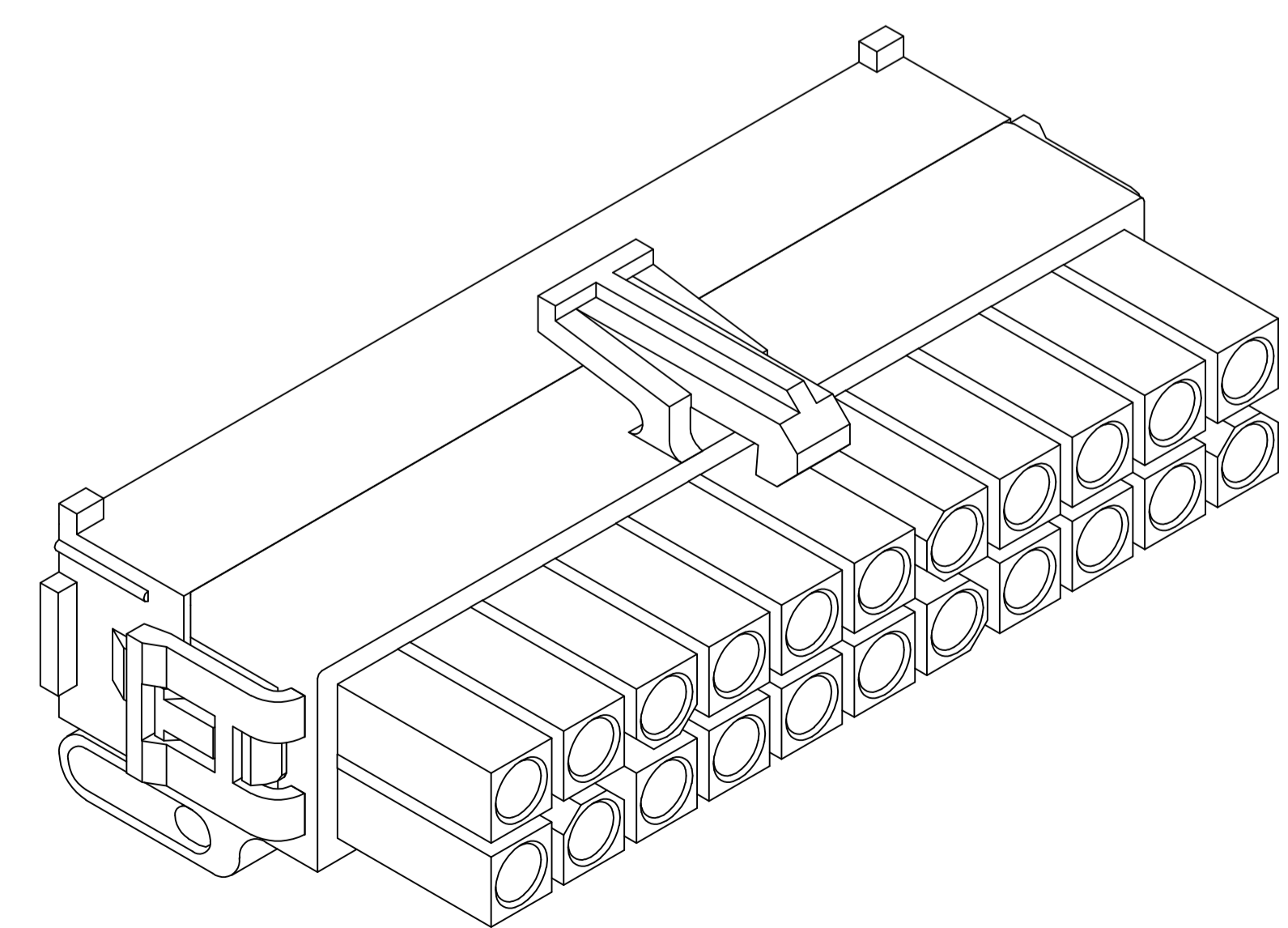
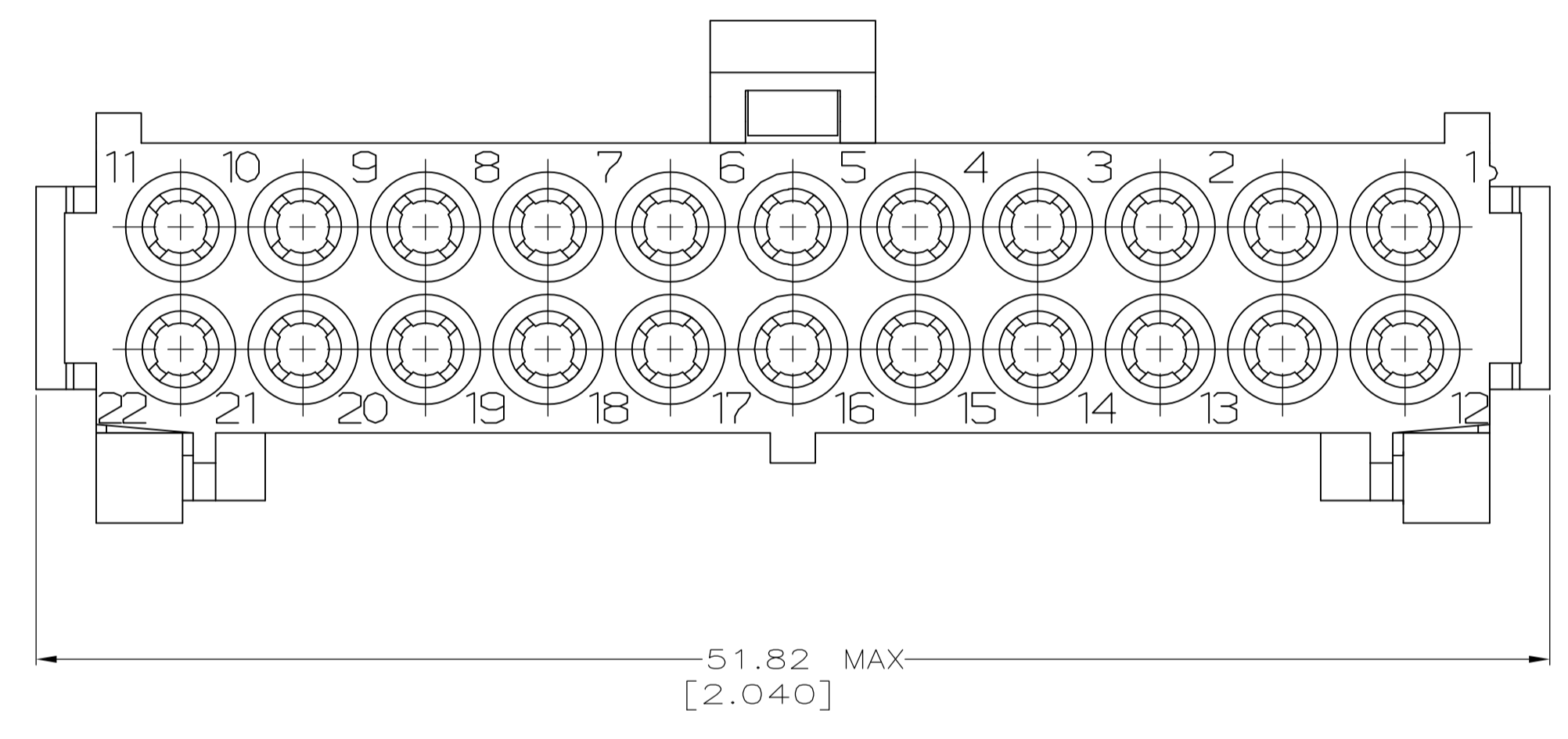
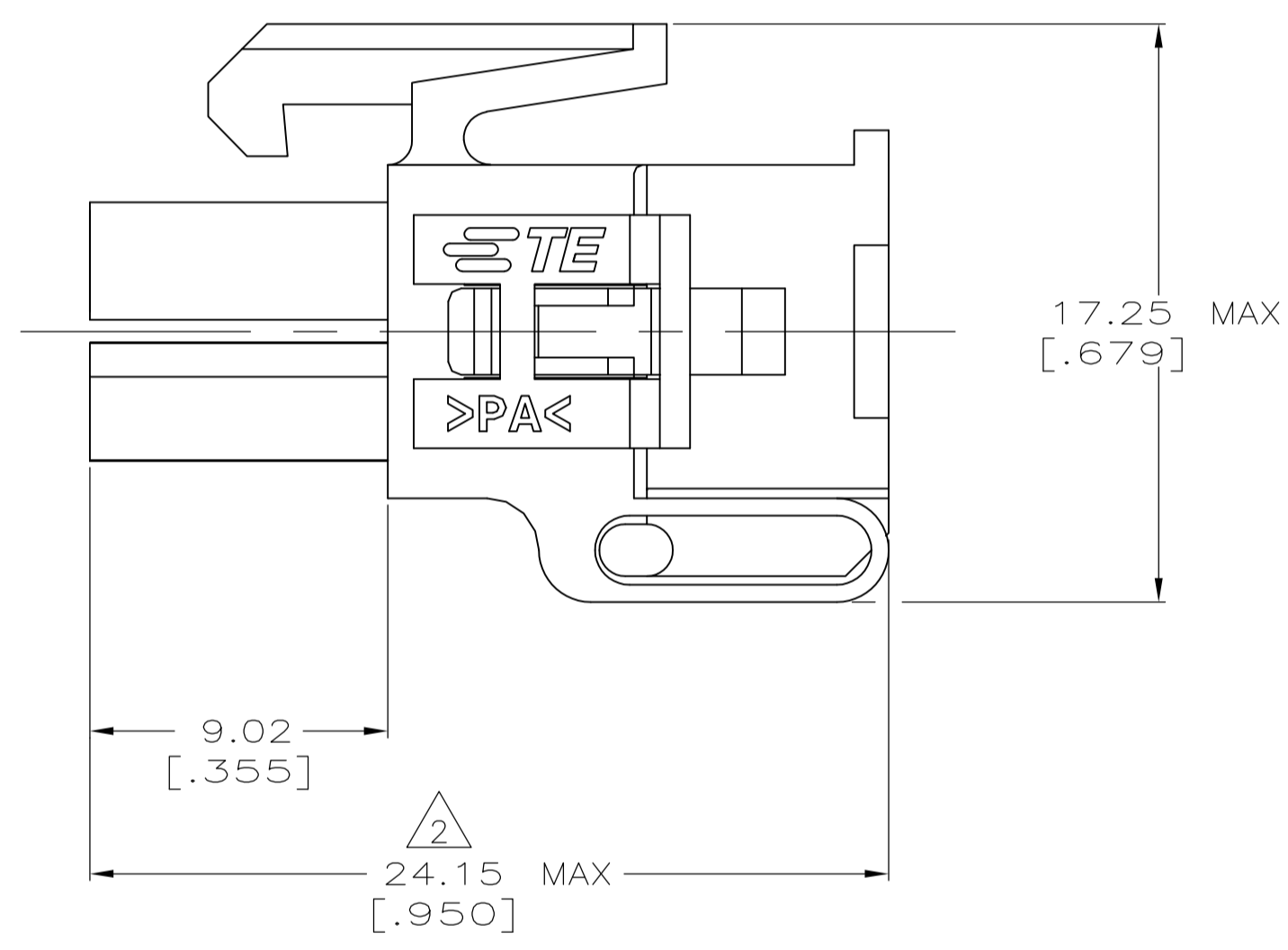
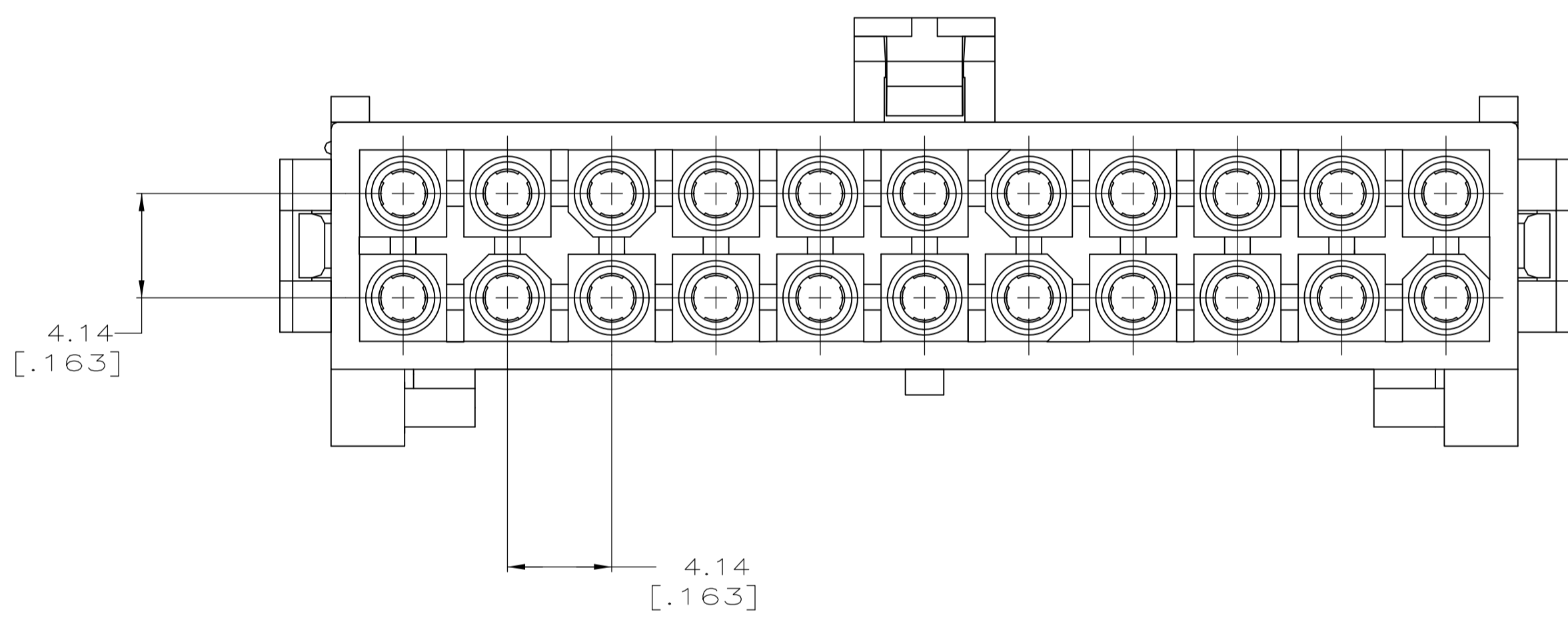


| REVISIONS | | | | | |
|-----------|-----|---------------------------|---------|-----|------|
| P | LTR | DESCRIPTION | DATE | DMN | APVD |
| C3 | | REVISED PER ECR-16-010480 | 28OCT16 | SC | DZ |



PRE-STAGED CONDITION

1 DIMENSIONS IN BRACKETS ARE IN INCHES.
 2 DIMENSION INDICATED IS AS MOLDED. ADDITIONAL GROWTH DUE TO SUBSEQUENT MOISTURE ABSORPTION MAY OCCUR.



3-DIMENSIONAL MODEL NTS

794212-1
PART NUMBER

| | | | |
|--|-------------|----------------------------|--|
| THIS DRAWING IS A CONTROLLED DOCUMENT. | | DMN K. WHITAKER 5-20-97 | TE Connectivity |
| DIMENSIONS: mm | | CHK R. SWING 5-20-97 | |
| TOLERANCES UNLESS OTHERWISE SPECIFIED: | | APVD R. ORSTAD 5-20-97 | NAME PLUG, 22 CIRCUIT, MINI UNIVERSAL MATE-N-LOK™ 2 |
| 0. PLC ± - | | PRODUCT SPEC | |
| 1. PLC ± - | | APPLICATION SPEC | |
| 2. PLC ± - | | WEIGHT | 0 |
| 3. PLC ± 0.13 [.005] | | SIZE | A1 |
| 4. PLC ± - | | SCALE | 5:1 |
| ANGLES ± - | | CAGE CODE | 00779 |
| | | DRAWING NO | 794212 |
| MATERIAL NYLON, UL94V-0, NATURAL | FINISH - | RESTRICTED TO | - |
| CUSTOMER DRAWING | | SHEET | 1 OF 1 |
| | | REV | C3 |

单击下面可查看定价，库存，交付和生命周期等信息

[>>TE Connectivity\(泰科\)](#)