

4

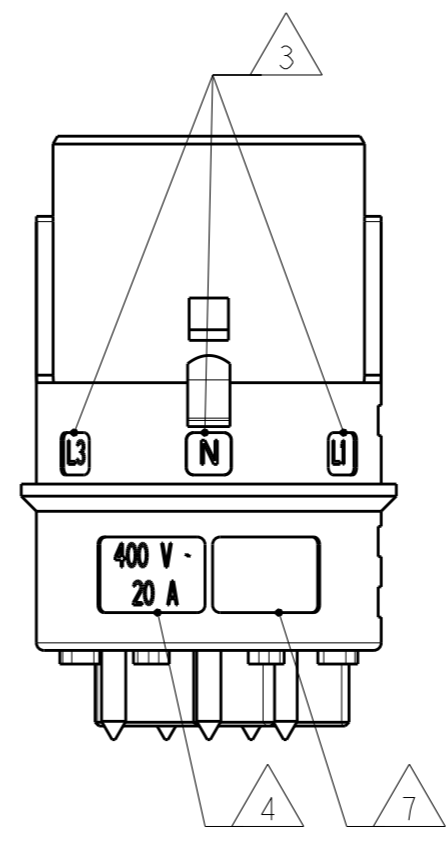
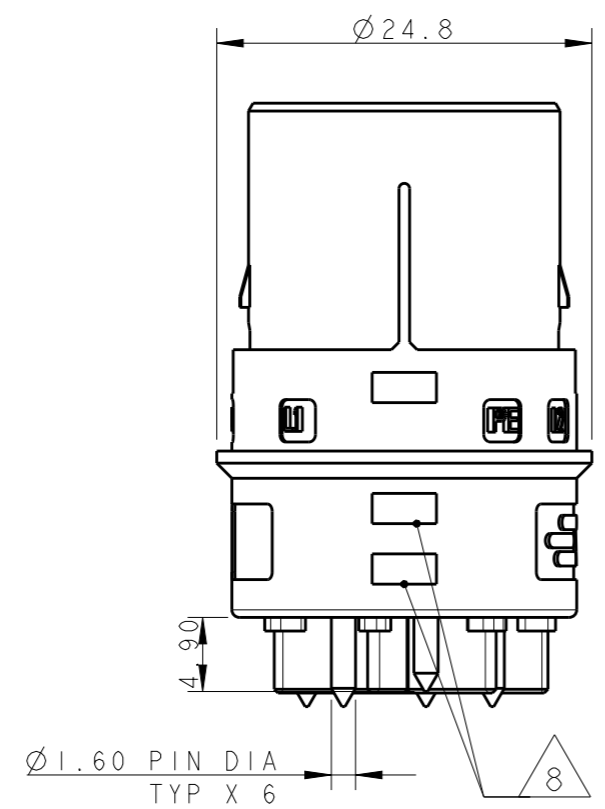
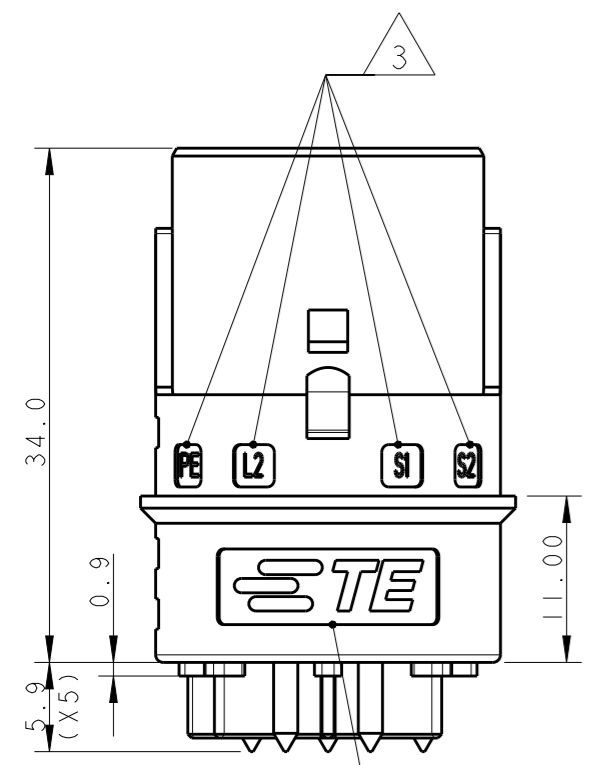
3

2

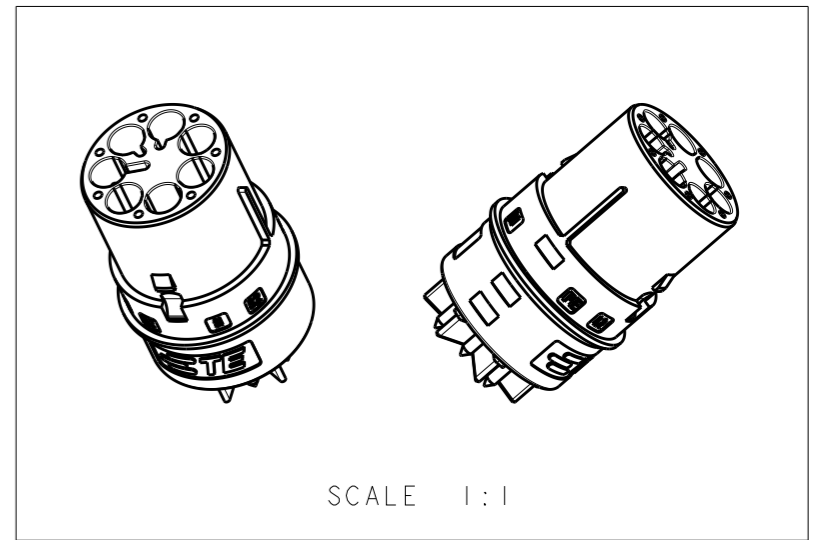
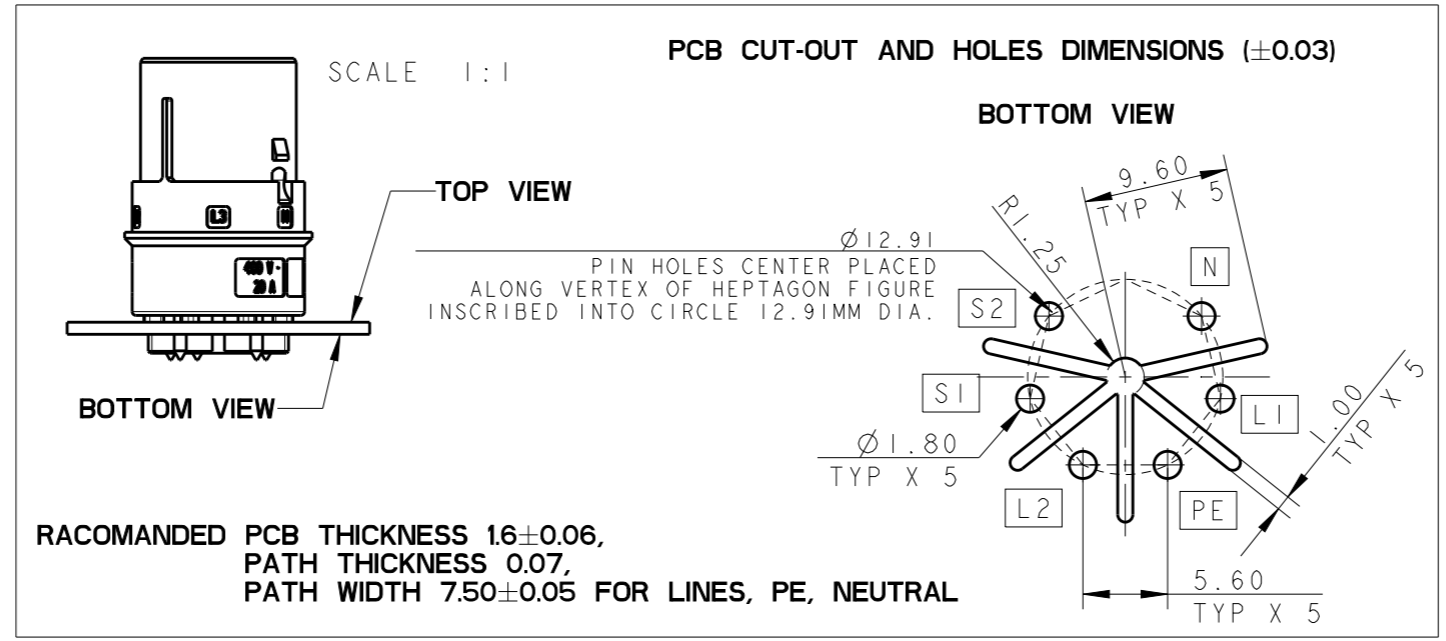
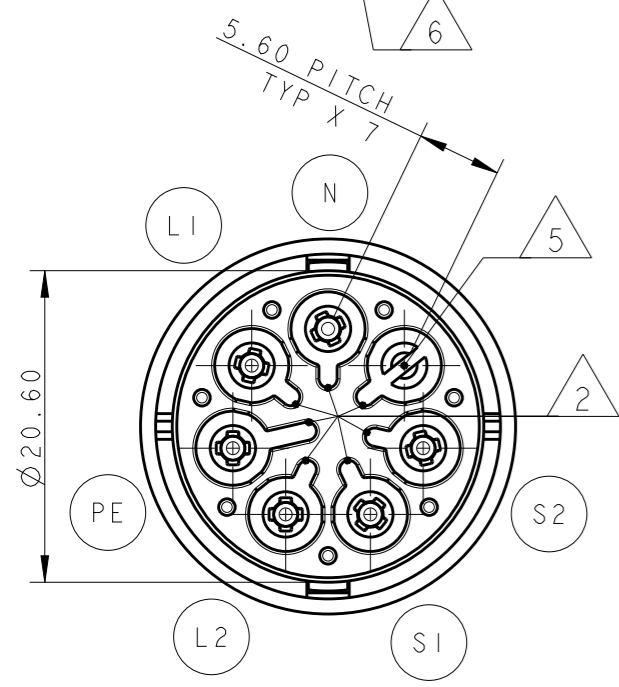
1

THIS DRAWING IS UNPUBLISHED. RELEASED FOR PUBLICATION 2011  
COPYRIGHT 2011 BY - ALL RIGHTS RESERVED.

LOC	DIST	REVISIONS					
		P	LTR	DESCRIPTION	DATE	DWN	APVD
1	-		5	UPDATED	23JUL2013	MZ	JC
			A	PARTS RELEASED FOR PRODUCTION	14NOV2013	KR	JC
			AI	REVISED PER ECR-18-006945	30MAY2018	NG	MZ



- NOTES:
- 1 MATERIAL: PA GF (NATURAL)  
- HOUSING: PA GF  
- CONTACTS: BRASS TIN PLATED
  - 2 ALL POLARIZATION KEYS SHOWN FOR REF ONLY
  - 3 WAYS I.D.
  - 4 VOLTAGE AND CURRENT RATINGS
  - 5 RIB CLOSING CAVITY BY CHANGE OVER
  - 6 TE LOGO
  - 7 AREA FOR AGENCIES APPROVAL LOGO
  - 8 VISUAL INDICATOR FOR PE CONDUCTOR

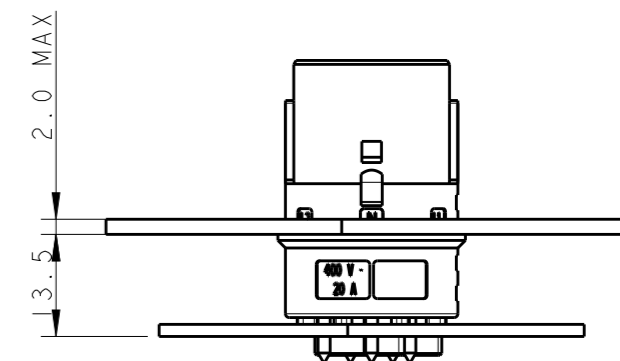


THIS DRAWING IS A CONTROLLED DOCUMENT.		DWN A. BERNARDI 31MAR2011	TE Connectivity	
DIMENSIONS: mm		CHK M. ZUCCA 31MAR2011		
TOLERANCES UNLESS OTHERWISE SPECIFIED:		APVD G. TURCO 31MAR2011	NAME PCB PIN CONNECTOR 6 POLES M-LINE NECTOR	
0 PLC ±- 1 PLC ±0.3 2 PLC ±0.20 3 PLC ±- 4 PLC ±- ANGLES ±3°		PRODUCT SPEC -	SIZE A300779	
MATERIAL -		APPLICATION SPEC -	DRAWING NO C-293672	
FINISH -		WEIGHT -	RESTRICTED TO -	
		Customer Drawing	SCALE 2:1	SHEET 1 OF 2
			REV AI	

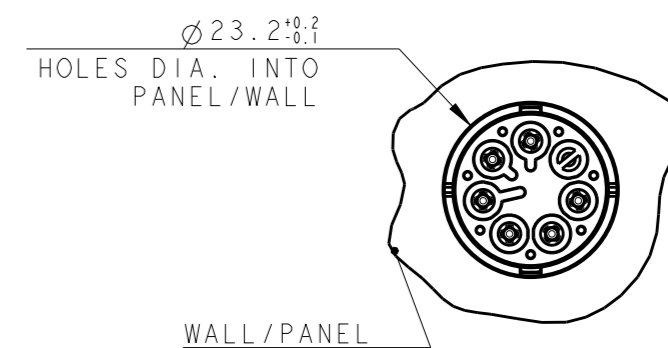
LOC	DIST	REVISIONS					
		P	LTR	DESCRIPTION	DATE	DWN	APVD
1	-	-	-	SEE SHEET 1	-	-	-

### POLARIZATION TYPES

POLARIZATION TYPE "C"	POLARIZATION TYPE "D"	POLARIZATION TYPE "E"
PNs 0-293672-3	PNs <del>0-293672-4</del>	PNs <del>0-293672-5</del>



SCALE 1:1



WALL/PANEL

OBSOLETE		E	NATURAL	PIN PCB CONN 6 POLES NECTOR* M-LINE	A	<del>0-293672-5</del>
		D	NATURAL	PIN PCB CONN 6 POLES NECTOR* M-LINE	A	<del>0-293672-4</del>
		C	NATURAL	PIN PCB CONN 6 POLES NECTOR* M-LINE	A	0-293672-3
NOTE	POL. KEYING	COLOUR	DESCRIPTION	REV.	P/N	

THIS DRAWING IS A CONTROLLED DOCUMENT.		DWN A. BERNARDI 31MAR2011	TE Connectivity													
DIMENSIONS: mm		CHK M. ZUCCA 31MAR2011														
TOLERANCES UNLESS OTHERWISE SPECIFIED:		APVD G. TURCO 31MAR2011	NAME PCB PIN CONNECTOR 6 POLES M-LINE NECTOR													
<table border="0"> <tr><td>0 PLC</td><td>±-</td></tr> <tr><td>1 PLC</td><td>±0.3</td></tr> <tr><td>2 PLC</td><td>±0.20</td></tr> <tr><td>3 PLC</td><td>±-</td></tr> <tr><td>4 PLC</td><td>±-</td></tr> <tr><td>ANGLES</td><td>±3°</td></tr> </table>		0 PLC	±-	1 PLC	±0.3	2 PLC	±0.20	3 PLC	±-	4 PLC	±-	ANGLES	±3°	PRODUCT SPEC	SIZE A300779	
0 PLC	±-															
1 PLC	±0.3															
2 PLC	±0.20															
3 PLC	±-															
4 PLC	±-															
ANGLES	±3°															
MATERIAL		APPLICATION SPEC	DRAWING NO C=293672													
FINISH		WEIGHT	RESTRICTED TO													
		Customer Drawing	SCALE 2:1	SHEET 2 OF 2												
			REV A1													

单击下面可查看定价，库存，交付和生命周期等信息

[>>TE Connectivity\(泰科\)](#)