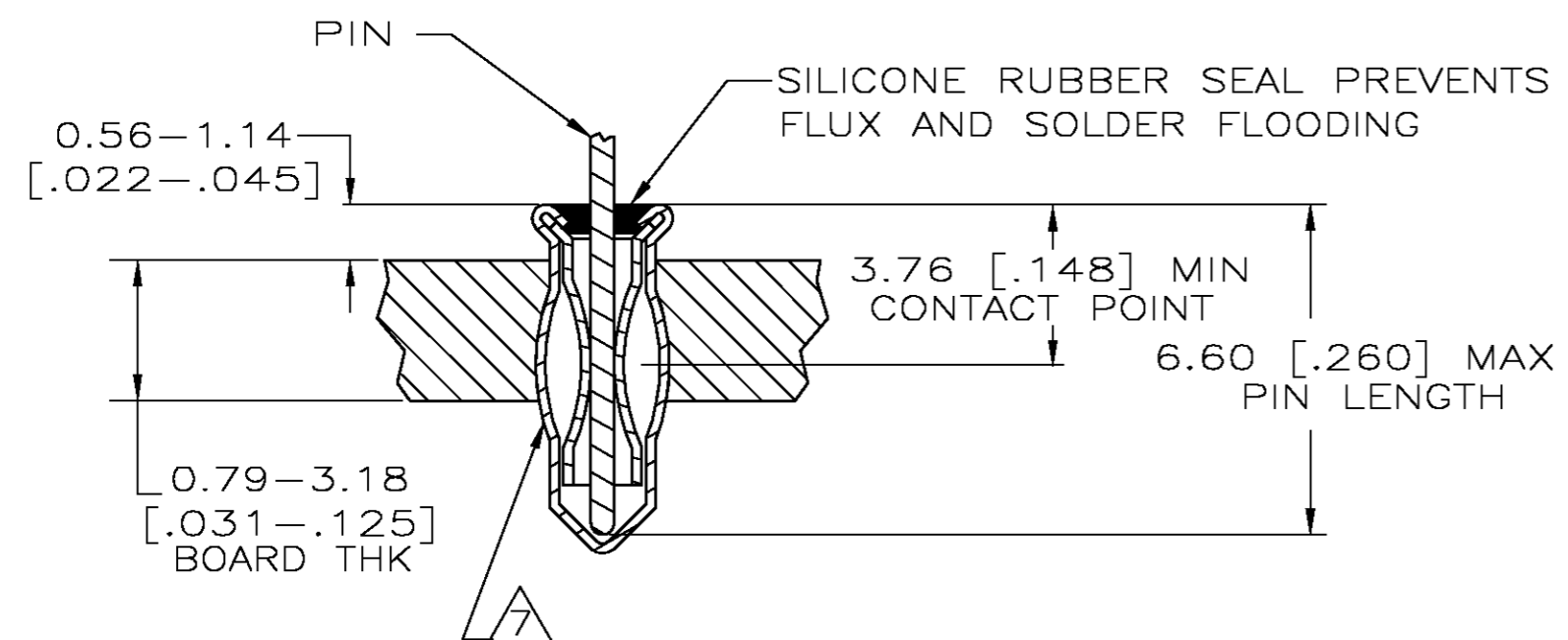
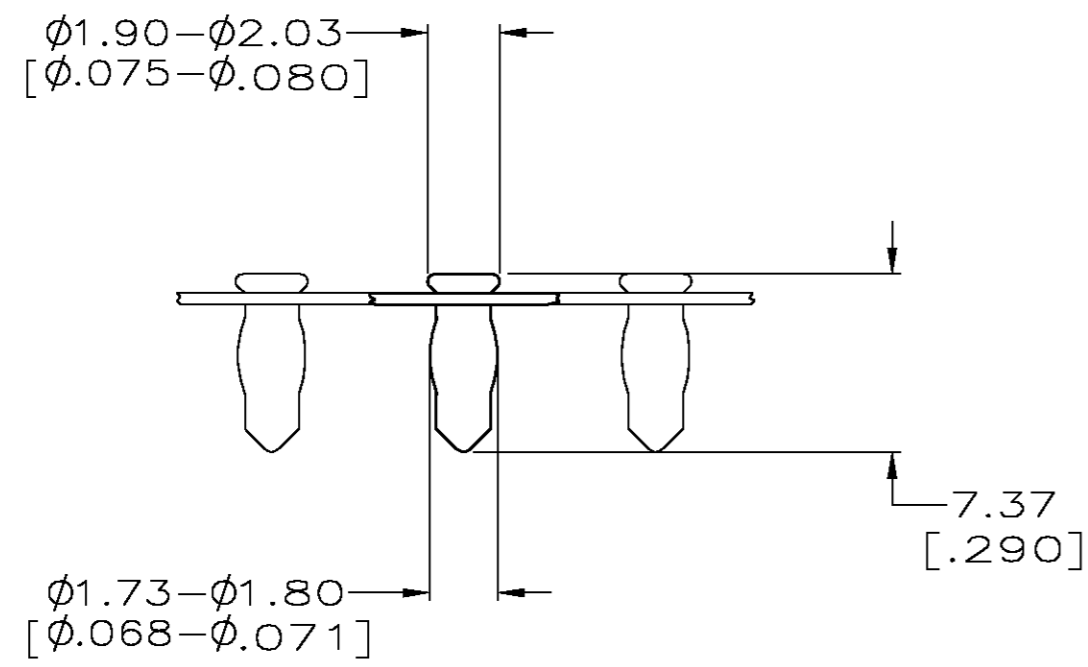
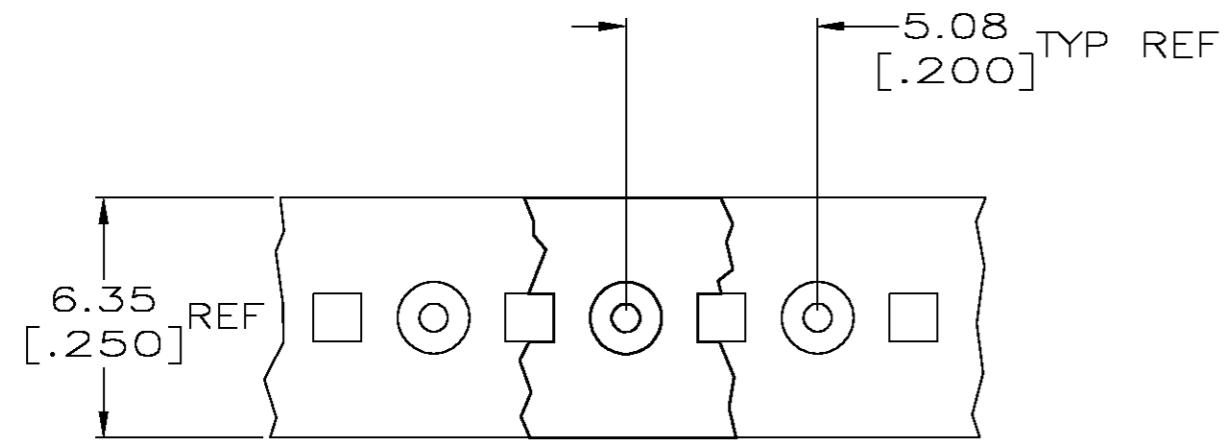


THIS DRAWING IS UNPUBLISHED. RELEASED FOR PUBLICATION
 © COPYRIGHT BY TYCO ELECTRONICS CORPORATION. ALL RIGHTS RESERVED.

LOC		DIST		REVISIONS			
GP	00	P	LTR	DESCRIPTION	DATE	DWN	APVD
		E		REVISED PER OS11-0088-03	6-4-03	JB	KK



- 1 MATERIAL:
 EYELET - COPPER (QQ-C-576)
 SPRING - BERYLLIUM COPPER (QQ-C-533)
 SEALANT - SILICONE RUBBER
- 2 TIN PLATE (MIL-T-10727)0.00381 [.000150] MIN THK.
- 3 TIN PLATE(MIL-T-10727)0.00254 [.000100] MIN THK.
- 4 GOLD PL(MIL-G-45204)0.00076 [.000030] MIN THK ON CONTACT AREA.
- 5 PACKAGED 50,000 PER REEL
- 6 TO INSURE 1/2 OZ MIN RETENTION DO NOT EXCEED 0.10 [.004] DIFFERENCE IN PIN DIA WHEN CHANGING TO A SMALLER DIA PIN
- 7 PRODUCT IS OVALIZED FOR RETENTION IN THE P.C. BOARD. THE RECOMMENDED HOLE DIAMETER IS $\phi 1.57$ [$\phi 0.062$] MINIMUM, +0.08 [.003] MAX. PRIOR TO SOLDERING.
- 8 PACKAGED 10,000 PER REEL
- 9 TIN PER ASTM B 545, 0.00254 [.000100] MIN THK.

3.76-6.60 [.148-.260]	$\phi 0.71 - \phi 0.84$ [$\phi 0.028 - \phi 0.033$]	TIN 9	TIN 9	8 6-645986-1
3.76-6.60 [.148-.260]	$\phi 0.71 - \phi 0.84$ [$\phi 0.028 - \phi 0.033$]	GOLD 4	TIN 2	8 1-645986-2
3.76-6.60 [.148-.260]	$\phi 0.71 - \phi 0.84$ [$\phi 0.028 - \phi 0.033$]	TIN 3	TIN 2	8 1-645986-1
3.76-6.60 [.148-.260]	$\phi 0.71 - \phi 0.84$ [$\phi 0.028 - \phi 0.033$]	GOLD 4	TIN 2	5 645986-2
3.76-6.60 [.148-.260]	$\phi 0.71 - \phi 0.84$ [$\phi 0.028 - \phi 0.033$]	TIN 3	TIN 2	5 645986-1
LENGTH	DIA 6	EYELET	SPRING	PART NO.
PIN		FINISH		

THIS DRAWING IS A CONTROLLED DOCUMENT.

DWN 1-24-85 D.HOLLINGSWORTH
 CHK 3-4-85 P.MUTZABAUGH

APVD - NAME
 PRODUCT SPEC -
 APPLICATION SPEC -

SCALE 10:1 SHEET 1 OF 1 REV E

tyco Electronics Tyco Electronics Corporation

MINIATURE SPRING SOCKET ASSY
 SERIES 3
 WITH SEALANT

SIZE A2 CAGE CODE 00779 DRAWING NO. C=645986 RESTRICTED TO -

MATERIAL 1 FINISH SEE TABLE WEIGHT -

单击下面可查看定价，库存，交付和生命周期等信息

[>>TE Connectivity\(泰科\)](#)