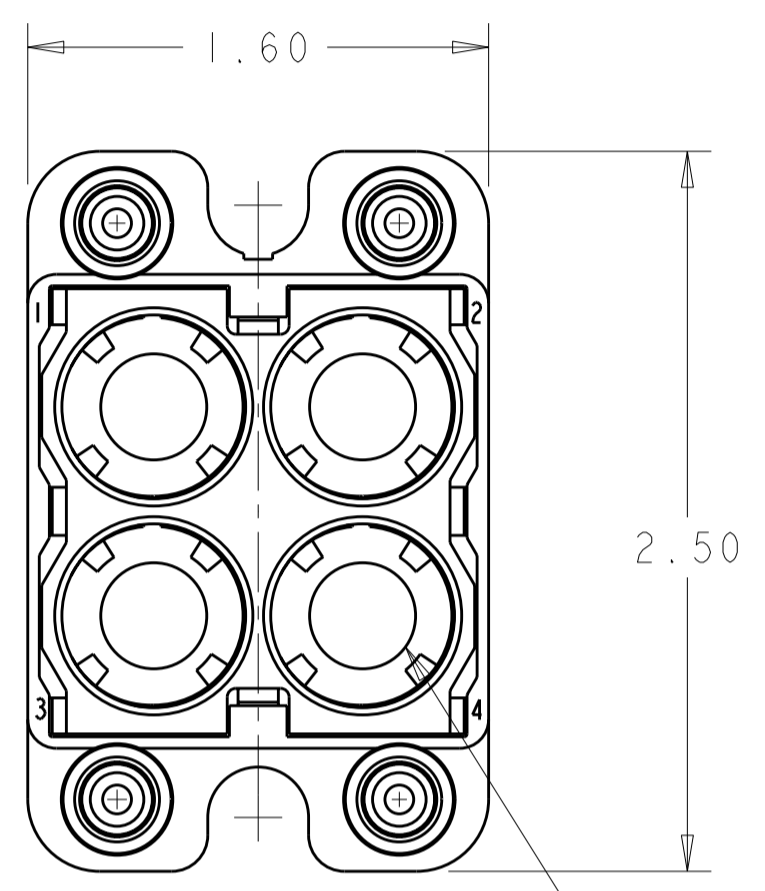
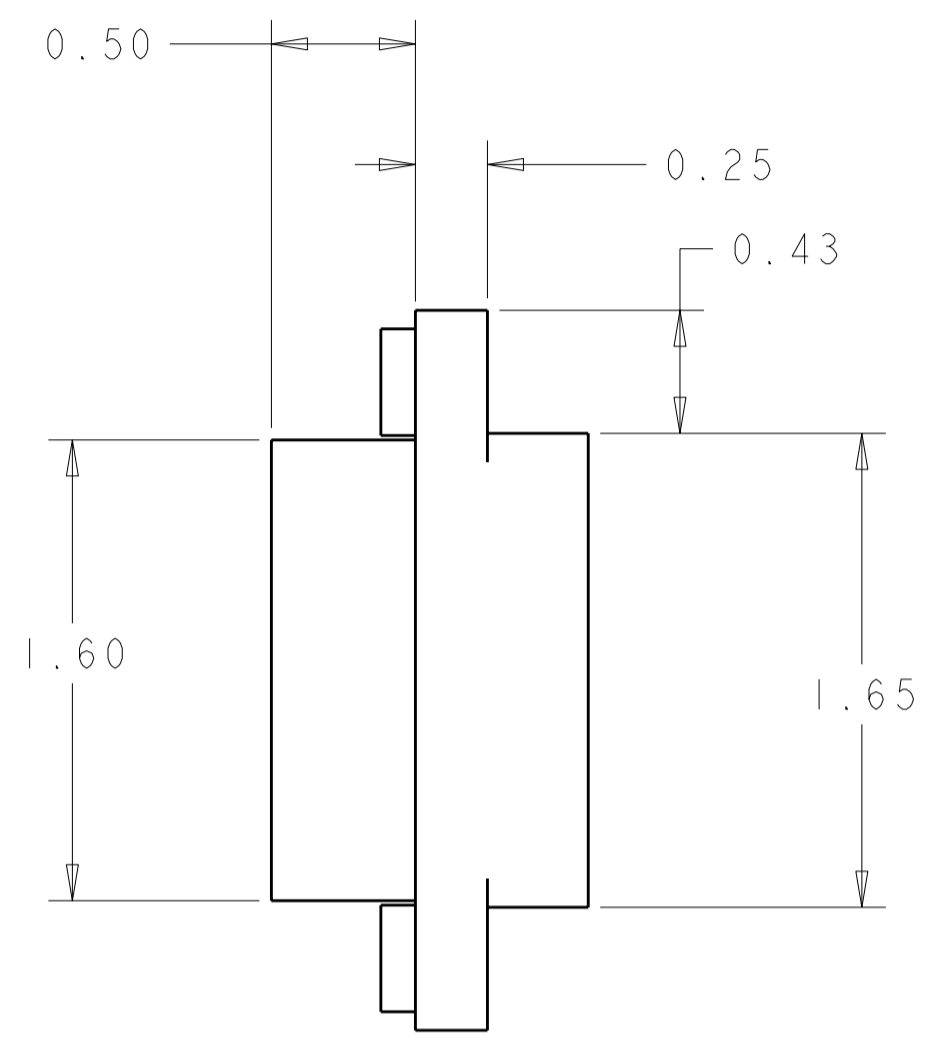
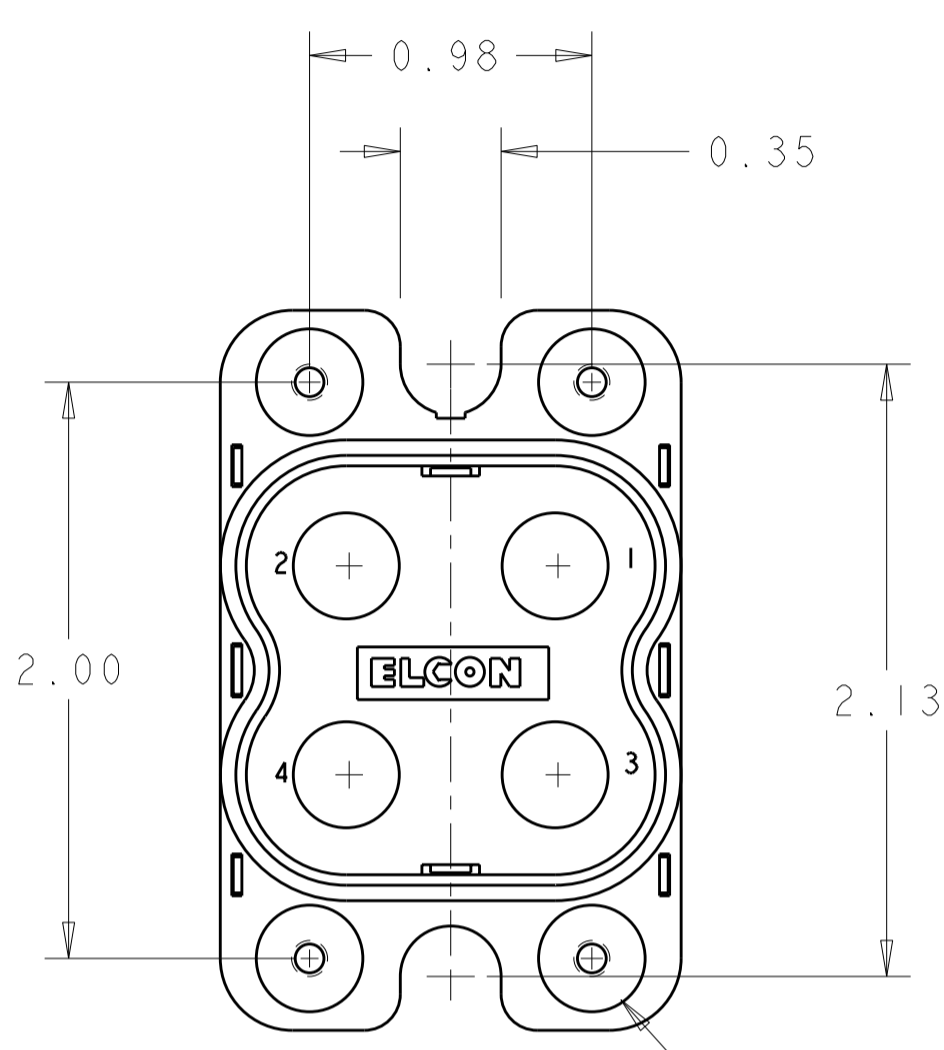


THIS DRAWING IS UNPUBLISHED. RELEASED FOR PUBLICATION 20
 © COPYRIGHT 20 BY TYCO ELECTRONICS CORPORATION. ALL RIGHTS RESERVED.

LOC		DIST		REVISIONS			
P	LTR	DESCRIPTION	DATE	DWN	APVD		
	A	NEW RELEASE	26SEP2008	CR	DO		



4X M3 INTERNALLY
THREADED INSERTS

4X SIZE #0

- ITEMS PROVIDED TO THIS SPECIFICATION TO BE PERMANENTLY IDENTIFIED PER THE FOLLOWING IDENTIFIER LABEL

TYCO ELECTRONICS P/N	DATE CODE	YEAR	WEEK
XXXXXXXX-X	XXXX	1	1
		(e.g. 0106)	
- PART NUMBER CHANGES AND/OR DESIGN CHANGES AFFECTING INTERCHANGEABILITY REQUIRE PRIOR TYCO ELECTRONICS APPROVAL AND AUTHORIZATION BY REVISION TO THIS DRAWING
- MATERIALS:
 INSULATORS: THERMOPLASTIC, GLASS REINFORCED, UL94V-0 FLAMMABILITY RATED, COLOR-BLACK.
 RETENTION CLIPS: COPPER ALLOY OR STAINLESS STEEL.
- FINISHES:
 RETENTION CLIPS: BRIGHT DIP PICKLED PER INDUSTRY STANDARDS.
- CONTACTS PURCHASED SEPARATELY.

AS SHOWN	2085000-1
DESCRIPTION	PART NO.

<small>THIS DRAWING IS A CONTROLLED DOCUMENT FOR TYCO ELECTRONICS CORPORATION. IT IS SUBJECT TO CHANGE AND THE CONTROLLING ENGINEERING ORGANIZATION SHOULD BE CONTACTED FOR THE LATEST REVISION.</small>		DWN C. ROHLER 26SEP2008 CHK D. ORRIS 26SEP2008 APVD M. PERCHERKE 26SEP2008	Tyco Electronics Harrisburg, PA 17105-3608
DIMENSIONS: mm 	TOLERANCES UNLESS OTHERWISE SPECIFIED: 0 PLC ± 1 PLC ±0.1 2 PLC ±.02 3 PLC ±.010 4 PLC ± ANGLES ±.5 FINISH	PRODUCT SPEC APPLICATION SPEC WEIGHT CUSTOMER DRAWING	NAME CONNECTOR PIN WITH RETENTION CLIPS QUAD POWER SIZE CAGE CODE DRAWING NO A200779 C-2085000 RESTRICTED TO
		SCALE 3:2	SHEET 1 OF 2 REV A

ELCON **QUAD POWER**

4

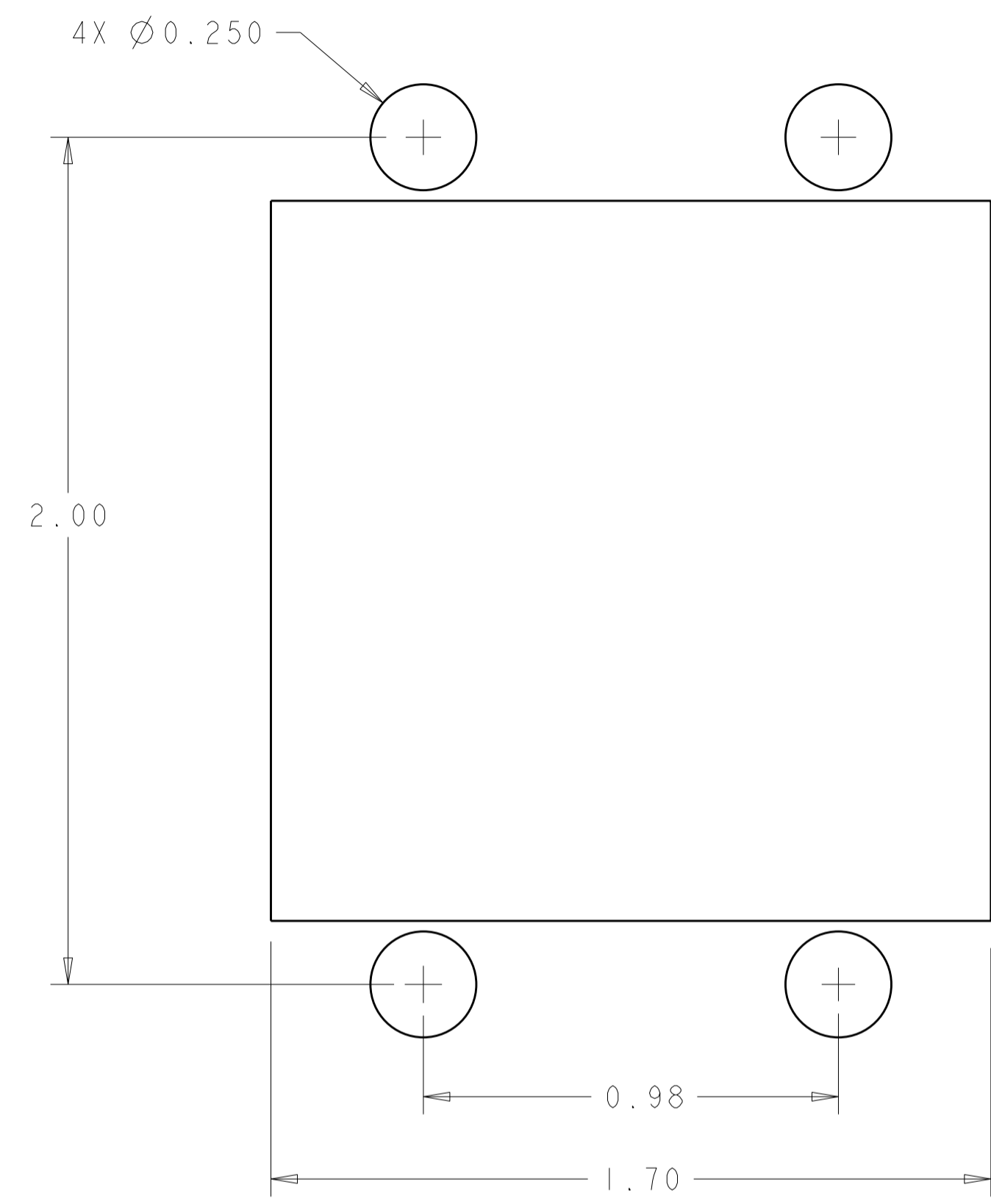
3

2

1

THIS DRAWING IS UNPUBLISHED. RELEASED FOR PUBLICATION 20
 © COPYRIGHT 20 BY TYCO ELECTRONICS CORPORATION. ALL RIGHTS RESERVED.

LOC	DIST	REVISIONS			
P	LTR	DESCRIPTION	DATE	DWN	APVD
-	-	SEE SHEET 1	-	-	-



PANEL MOUNT
 SCALE 3:1

<small>THIS DRAWING IS A CONTROLLED DOCUMENT FOR TYCO ELECTRONICS CORPORATION IT IS SUBJECT TO CHANGE AND THE CONTROLLING ENGINEERING ORGANIZATION SHOULD BE CONTACTED FOR THE LATEST REVISION.</small>		DWN 26SEP2008 C. ROHLER CHK 26SEP2008 D. ORRIS APVD 26SEP2008 M. PERCHERKE	Tyco Electronics Harrisburg, PA 17105-3608
DIMENSIONS: mm 	TOLERANCES UNLESS OTHERWISE SPECIFIED: 0 PLC ± 1 PLC ±0.1 2 PLC ±.02 3 PLC ±.010 4 PLC ± ANGLES ±.5 FINISH	PRODUCT SPEC APPLICATION SPEC WEIGHT - CUSTOMER DRAWING	NAME CONNECTOR PIN WITH RETENTION CLIPS QUAD POWER SIZE CAGE CODE DRAWING NO RESTRICTED TO A200779 C-2085000 - SCALE 3:2 SHEET 2 OF 2 REV A

单击下面可查看定价，库存，交付和生命周期等信息

[>>TE Connectivity\(泰科\)](#)