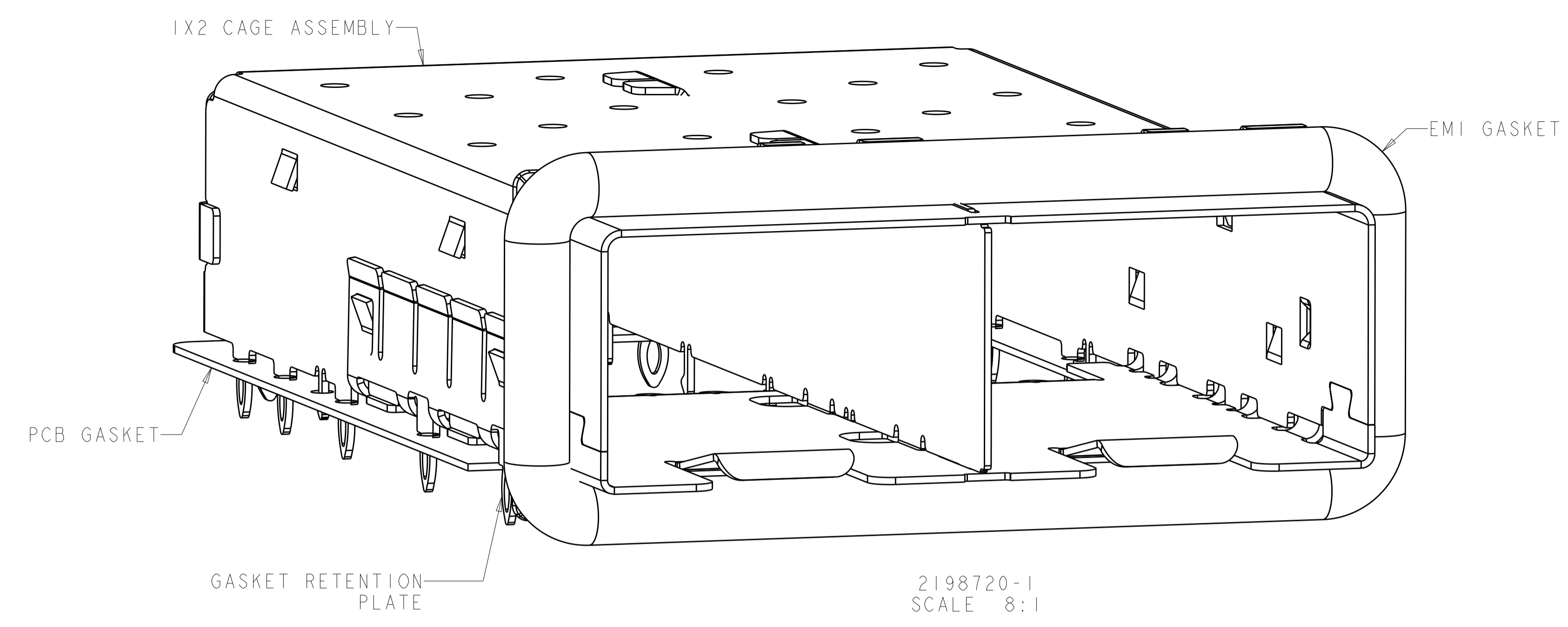
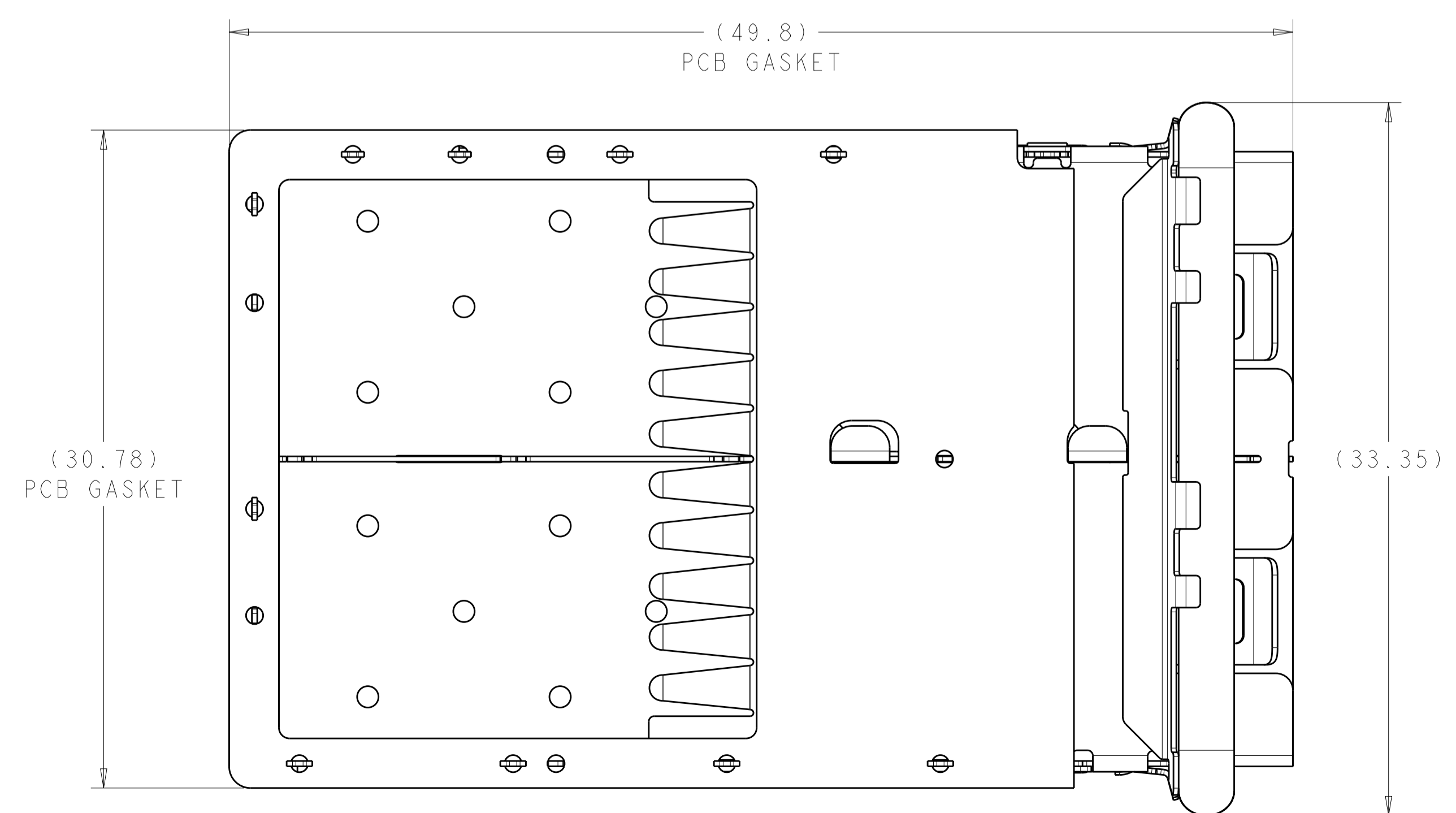
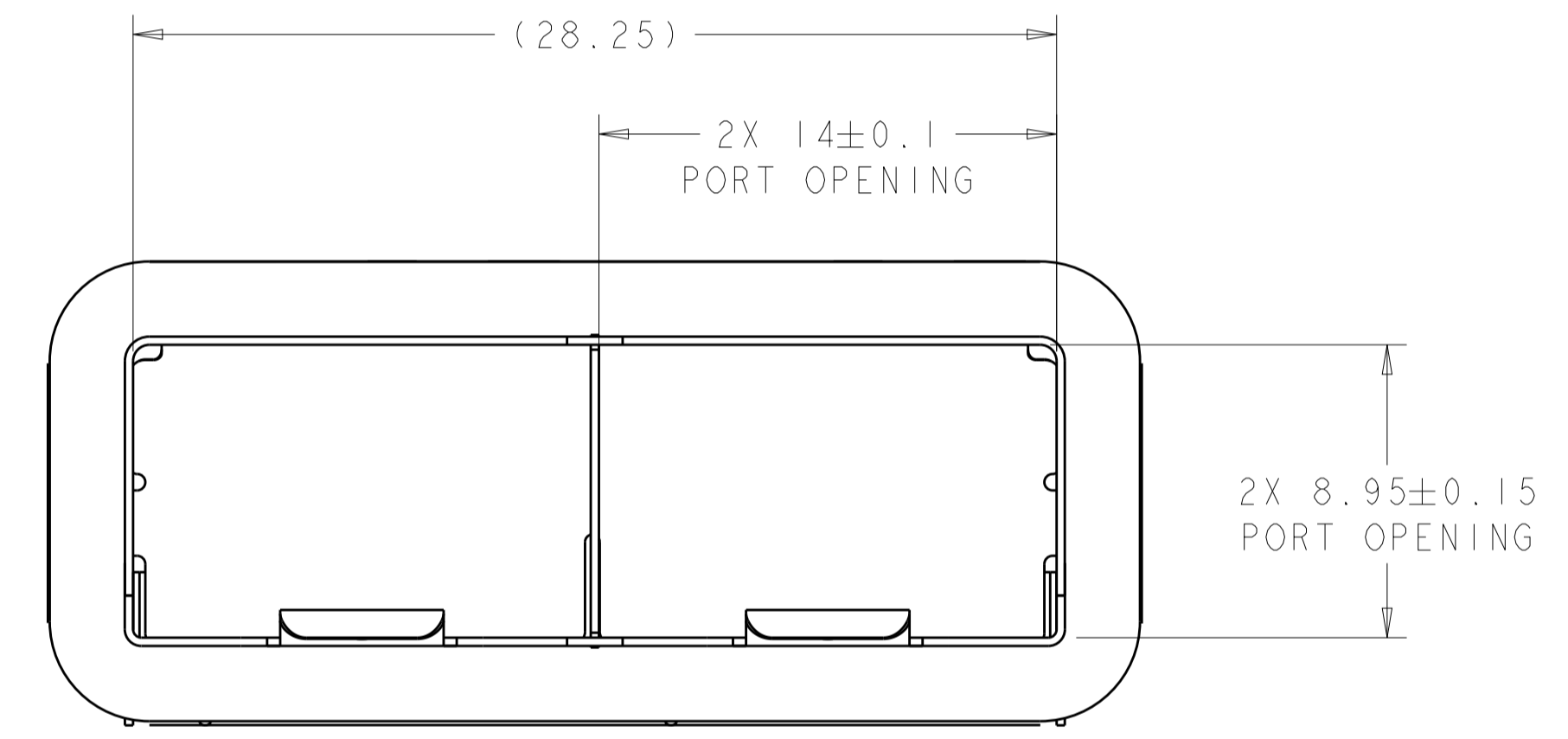
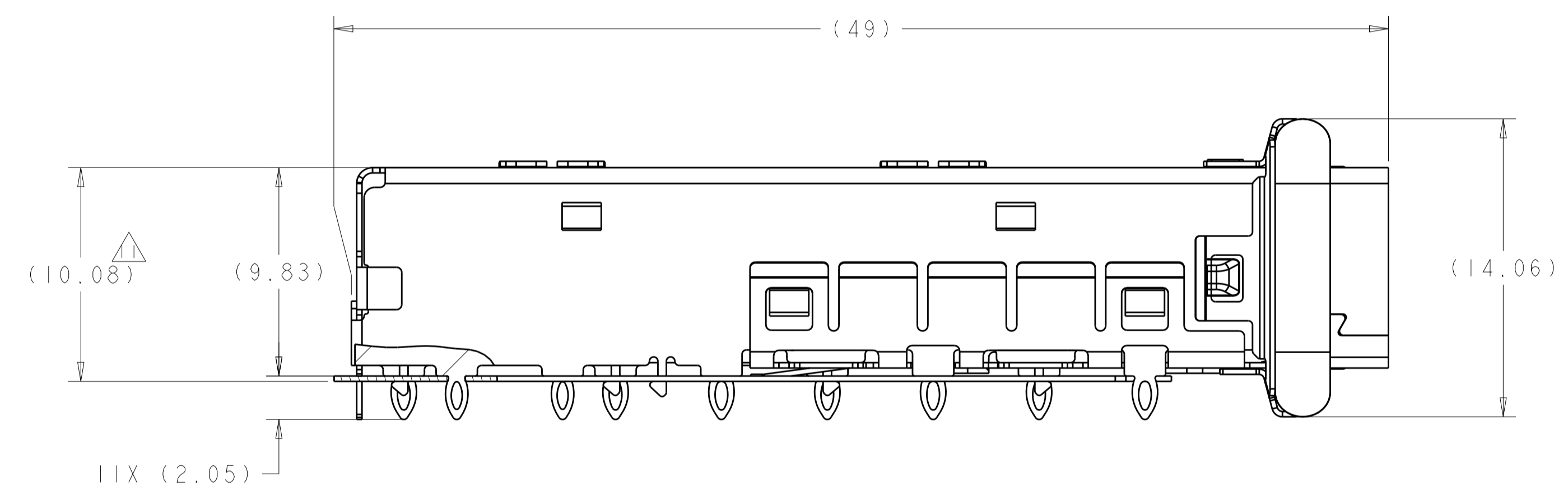


LOC	DIST	REVISIONS			
GP	00	REV	DATE	BY	CHKD
		A	05MAR2015	AP	MS
		B	13FEB2017	JW	SH



- MATERIAL:
CAGE ASSEMBLY: NICKEL SILVER ALLOY
GASKET RETENTION PLATE: STAINLESS STEEL
EMI GASKET: PLATED FILLED SILICONE
PCB GASKET: RF ABSORBER
- MINIMUM PC BOARD THICKNESS:
SINGLE SIDED = 1.45mm
BELLY TO BELLY = 3mm
- PADS AND VIAS CHASSIS GROUND
- DATUM AND BASIC DIMENSION ESTABLISHED BY CUSTOMER
- MATES WITH SFP MSA COMPLIANT TRANSCEIVERS
- INTERPRETATION OF DATUM REFERENCE FRAME IN ACCORDANCE WITH SECT 4.4.1.1 OF ASME Y14.5M-1994
- REFERENCE APPLICATION SPEC. 114-13120, HOLE A, FOR RECOMMENDED DRILL HOLE DIAMETER AND PLATING THICKNESS
- REFERENCE APPLICATION SPEC. 114-13120, HOLE B, FOR RECOMMENDED DRILL HOLE DIAMETER AND PLATING THICKNESS
- HOLE PATTERN REPEATS FOR EACH PORT, SPACING BETWEEN PORTS IS 14.25mm
- PRODUCT COMPLIES WITH SPECIFICATION SFF-8433, IMPROVED PLUGGABLE FORM FACTOR FOR SFP+ GANGED CAGES
- CONTACT STANDOFF WILL PIERCE GASKET WHEN PROPERLY PRESSED INTO PCB

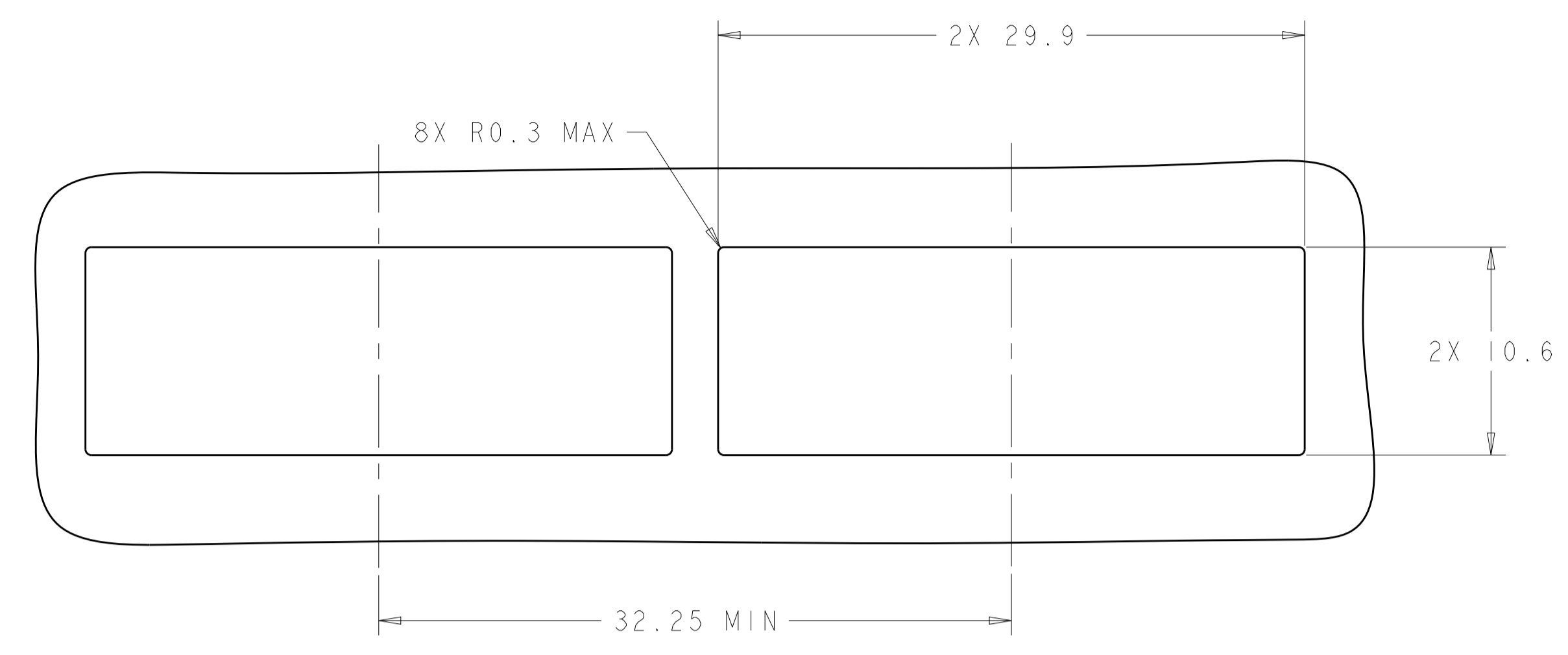


2198720-1
PART NUMBER

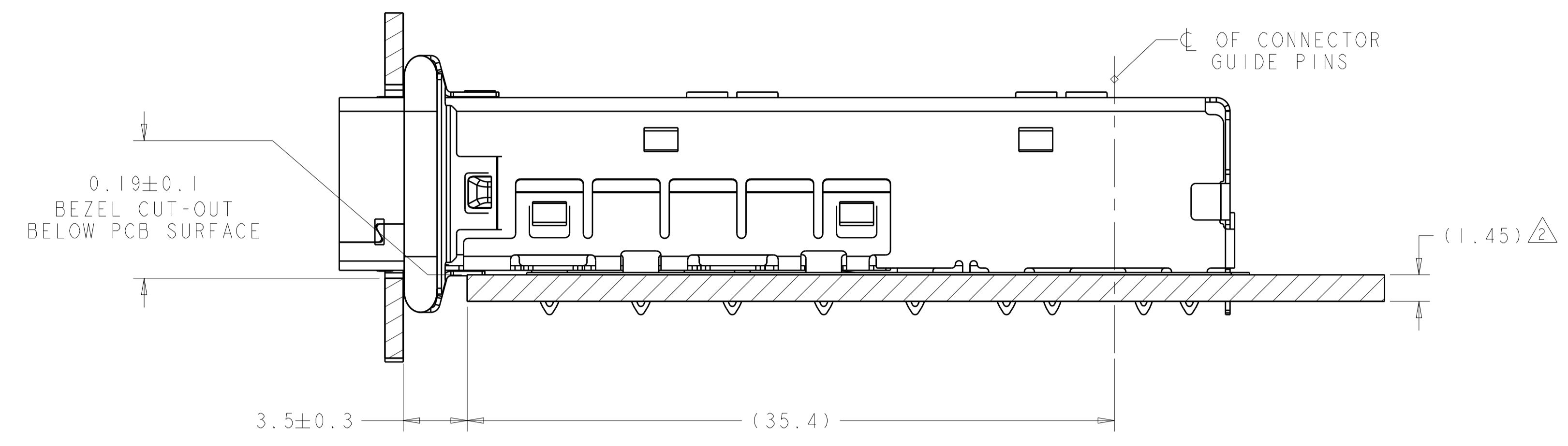
THIS DRAWING IS A CONTROLLED DOCUMENT.		OWN R. TREA 15AUG2012	TE Connectivity	
DIMENSIONS: mm		CHK H. HENRY 15AUG2012	NAME CAGE ASSEMBLY, ENHANCED, PRESS-FIT, 1X2, zSFP+	
TOLERANCES UNLESS OTHERWISE SPECIFIED: 0 PLC ±0.25 1 PLC ±0.25 2 PLC ±0.25 3 PLC ±0.25 4 PLC ±0.25 ANGLES ±0.25		APVD M. J. PHILLIPS	PRODUCT SPEC 108-2364	
MATERIAL SEE NOTE 1		FINISH	APPLICATION SPEC 114-13120	RESTRICTED TO
		WEIGHT	SIZE A100779C=2198720	Customer Drawing
		SCALE 8:1	SHEET 1 OF 4	REV B

LOC	DIST	REV	DATE	BY	APPV
GP	00				

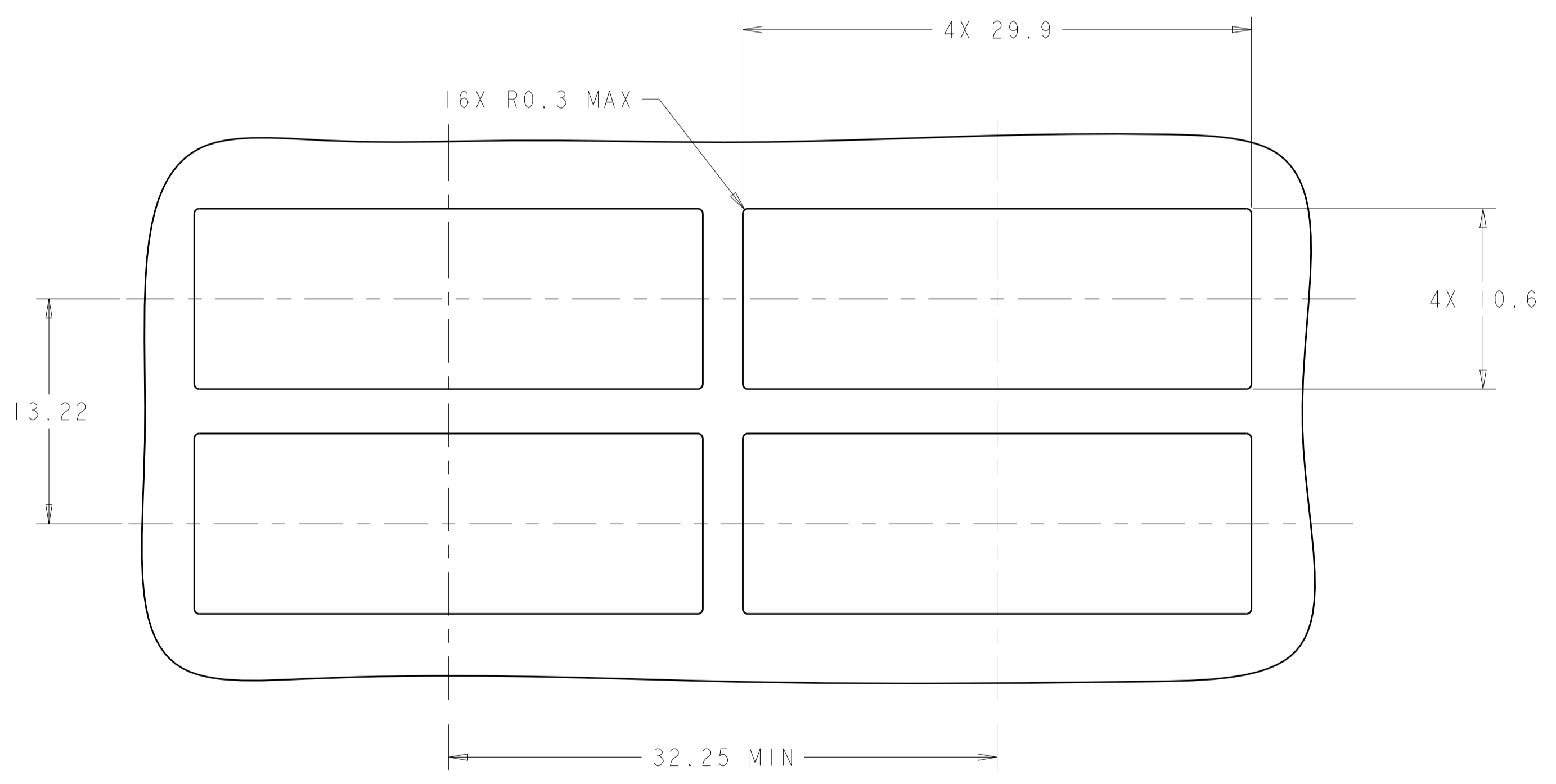
REVISIONS		DATE	BY	APPV
-	SEE SHEET 1	-	-	-



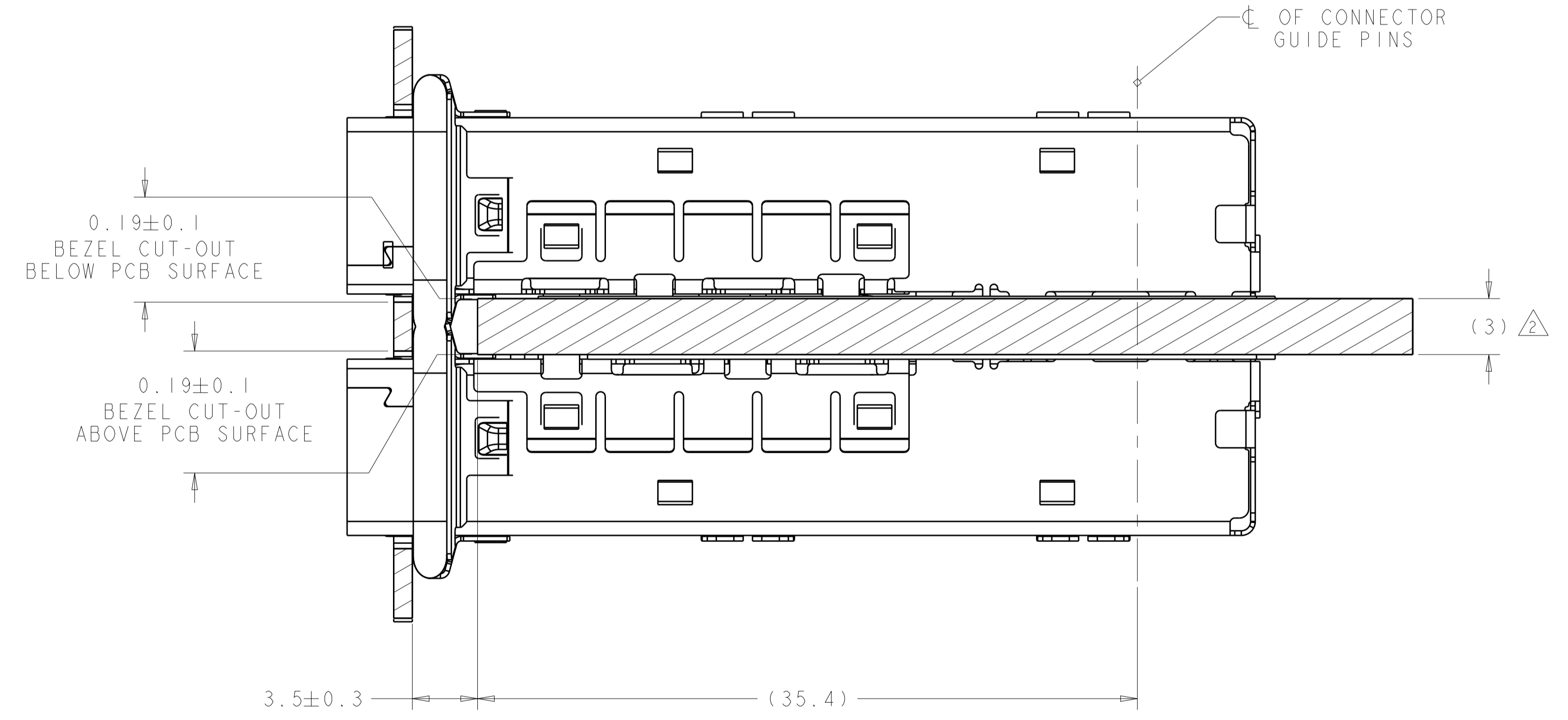
RECOMMENDED BEZEL CUT-OUT
 SINGLE SIDED APPLICATIONS
 SCALE 4:1



MOUNTED ON PC BOARD
 SHOWN THRU RECOMMENDED BEZEL
 SCALE 5:1



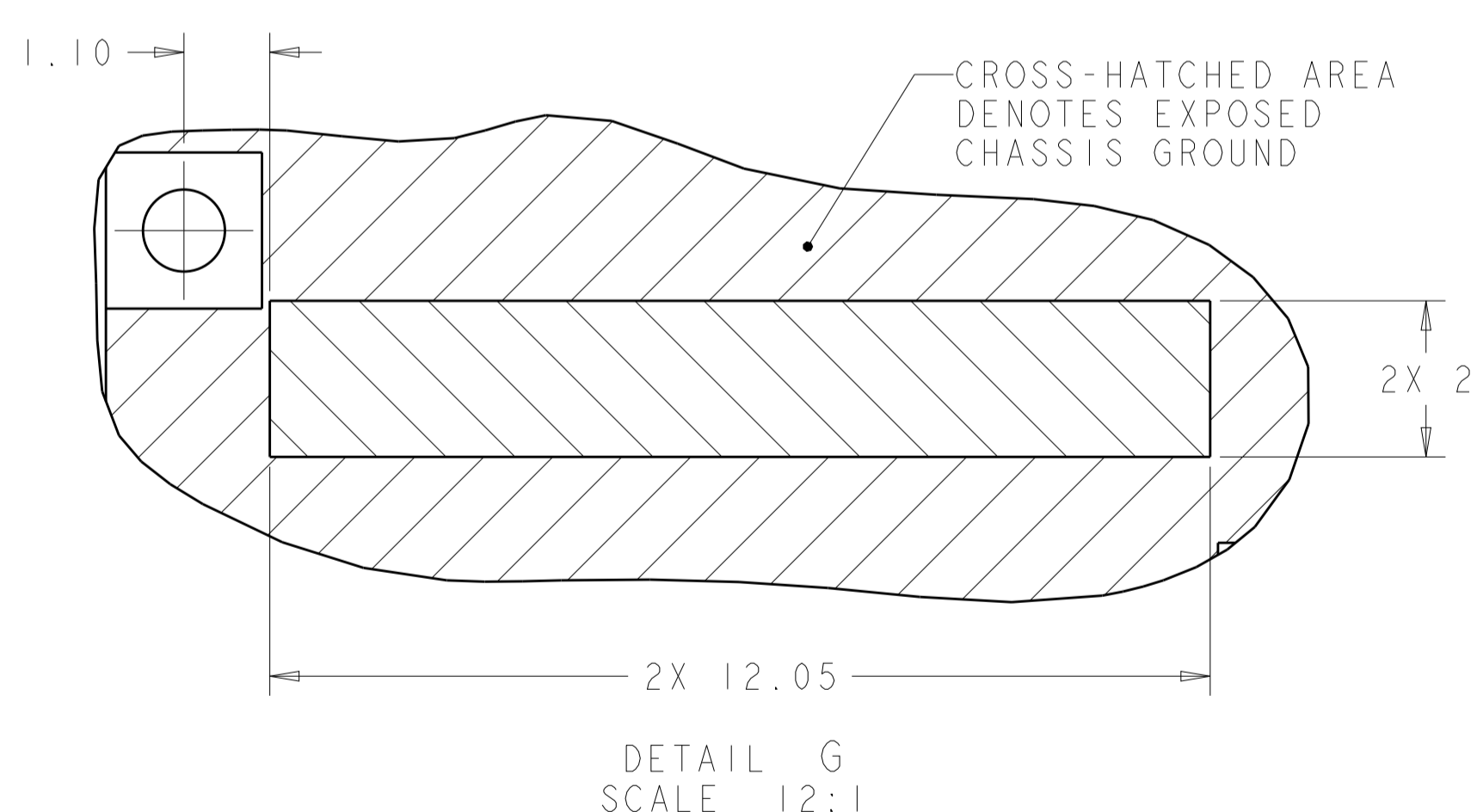
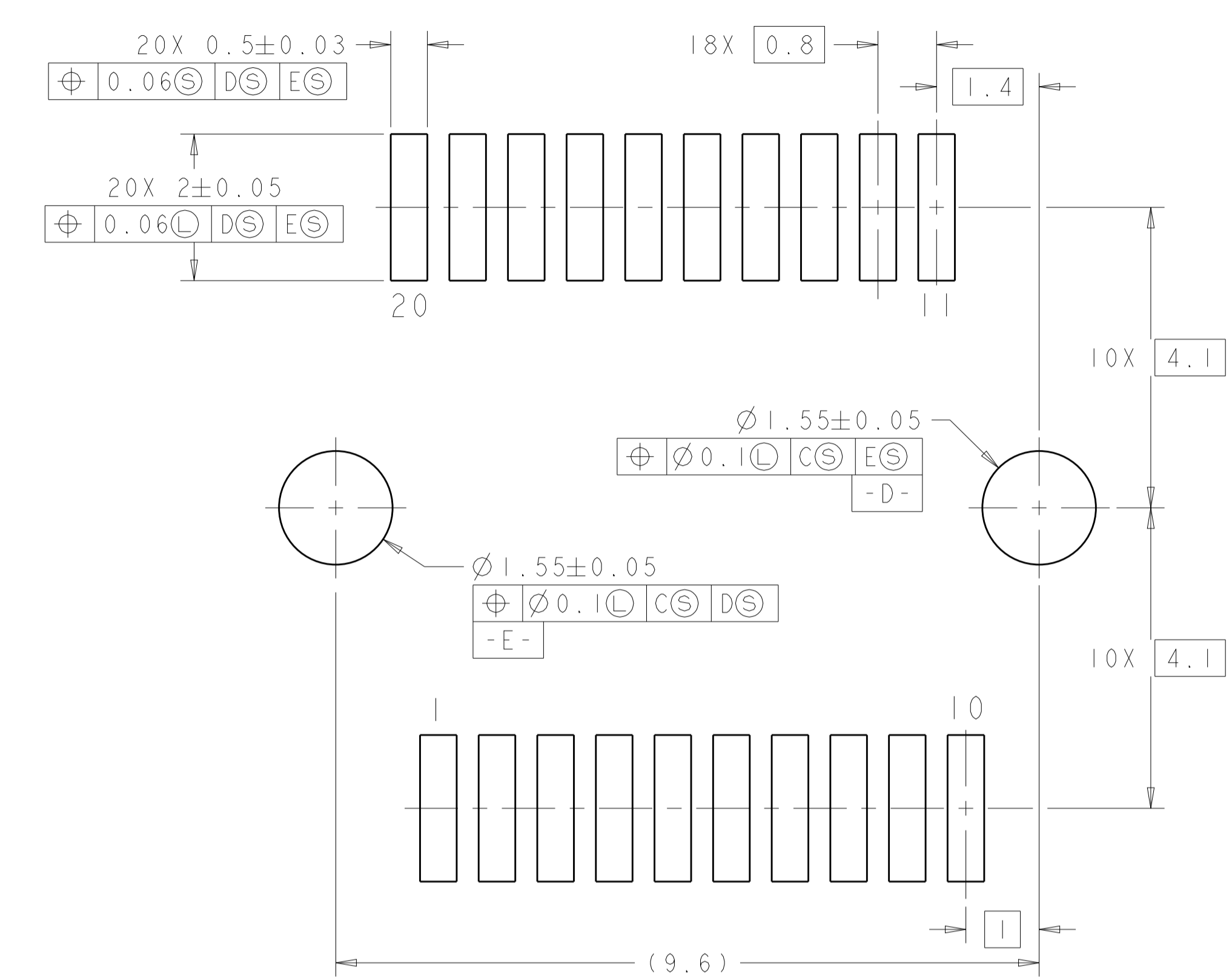
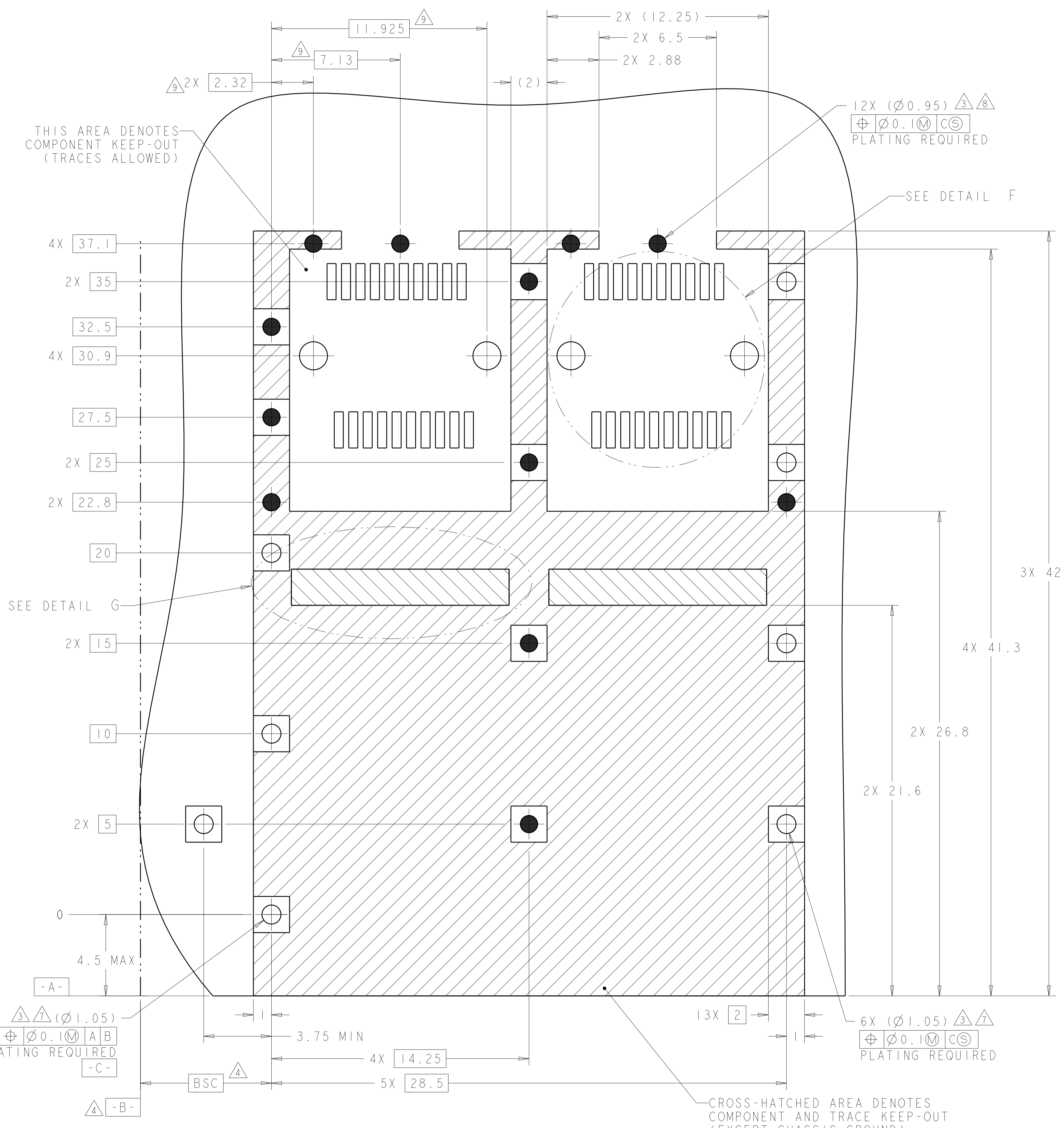
RECOMMENDED BEZEL CUT-OUT
 BELLY TO BELLY APPLICATIONS
 SCALE 4:1



MOUNTED BELLY TO BELLY ON PC BOARD
 SHOWN THRU RECOMMENDED BEZEL
 SCALE 5:1

THIS DRAWING IS A CONTROLLED DOCUMENT.		DWN R. IREA 15AUG2012	 TE Connectivity
DIMENSIONS: mm		CHK H. HENRY 15AUG2012	
TOLERANCES UNLESS OTHERWISE SPECIFIED:		APVD M. J. PHILLIPS	NAME CAGE ASSEMBLY, ENHANCED, PRESS-FIT, 1X2, zSFP+
0 PLC ±0.1	1 PLC ±0.1	PRODUCT SPEC 108-2364	SIZE 114-13120
2 PLC ±0.08	3 PLC ±0.05	APPLICATION SPEC	RESTRICTED TO
4 PLC ±0.05	ANGLES ±1°	WEIGHT	A100779C=2198720
MATERIAL SEE NOTE 1	FINISH	Customer Drawing	SCALE 6:1 SHEET 2 OF 4 REV B

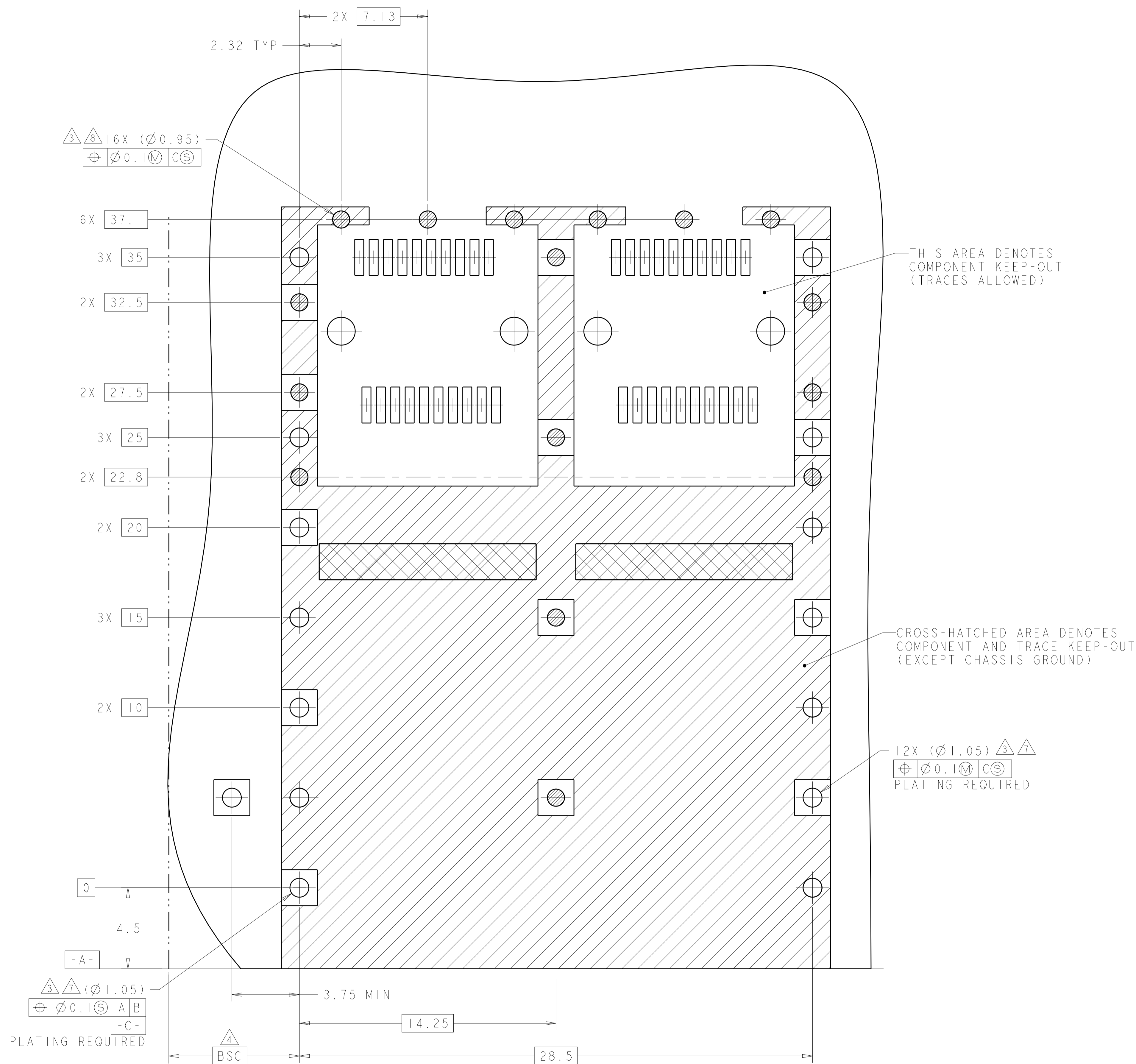
LOC	DIST	REV	DATE	BY	APPV
GP	00				
REVISIONS					
DESCRIPTION		DATE	BY	APPV	
SEE SHEET 1					



RECOMMENDED PCB CONFIGURATION WITH KEEP-OUT AREAS FOR SINGLE SIDED APPLICATIONS SCALE 8:1

THIS DRAWING IS A CONTROLLED DOCUMENT.		OWN: R. TREA 15AUG2012	TE Connectivity
DIMENSIONS: mm		CHK: H. HENRY 15AUG2012	
TOLERANCES UNLESS OTHERWISE SPECIFIED:		APVD: M. J. PHILLIPS	NAME: CAGE ASSEMBLY, ENHANCED, PRESS-FIT, 1X2, zSFP+
Ø	0 PLC ±0.1	PRODUCT SPEC	108-2364
PLC	±0.1	APPLICATION SPEC	114-13120
PLC	±0.08	SIZE	A100779
PLC	±0.05	CAGE CODE	2198720
PLC	±0.05	DRAWING NO	Customer Drawing
ANGLES	±0.5	RESTRICTED TO	
FINISH		SCALE	6:1
MATERIAL: SEE NOTE 1		SHEET	3 OF 4
		REV	B

LOC	DIST	REVISIONS					
GP	00	P	LTN	DESCRIPTION	DATE	DWN	APVD
		-		SEE SHEET 1			



RECOMMENDED PCB CONFIGURATION
 WITH KEEP-OUT AREAS FOR BELLY TO BELLY APPLICATIONS
 SAME AS SINGLED SIDED APPLICATION, EXCEPT AS SHOWN
 SCALE 8:1

THIS DRAWING IS A CONTROLLED DOCUMENT.		DWN: R. IREA 15AUG2012	TE Connectivity
DIMENSIONS: mm		CHK: H. HENRY 15AUG2012	
TOLERANCES UNLESS OTHERWISE SPECIFIED: 0 PLC ±0.1 1 PLC ±0.1 2 PLC ±0.08 3 PLC ±0.05 4 PLC ±0.05 ANGLES ±1°		APVD: M. J. PHILLIPS	NAME: CAGE ASSEMBLY, ENHANCED, PRESS-FIT, 1X2, zSFP+
MATERIAL: SEE NOTE 1		PRODUCT SPEC: 108-2364	RESTRICTED TO:
		APPLICATION SPEC: 114-13120	SIZE: A1
		WEIGHT: -	CAGE CODE: 00779
		Customer Drawing	DRAWING NO: C=2198720
		SCALE: 6:1	SHEET 4 OF 4
			REV B

单击下面可查看定价，库存，交付和生命周期等信息

[>>TE Connectivity\(泰科\)](#)