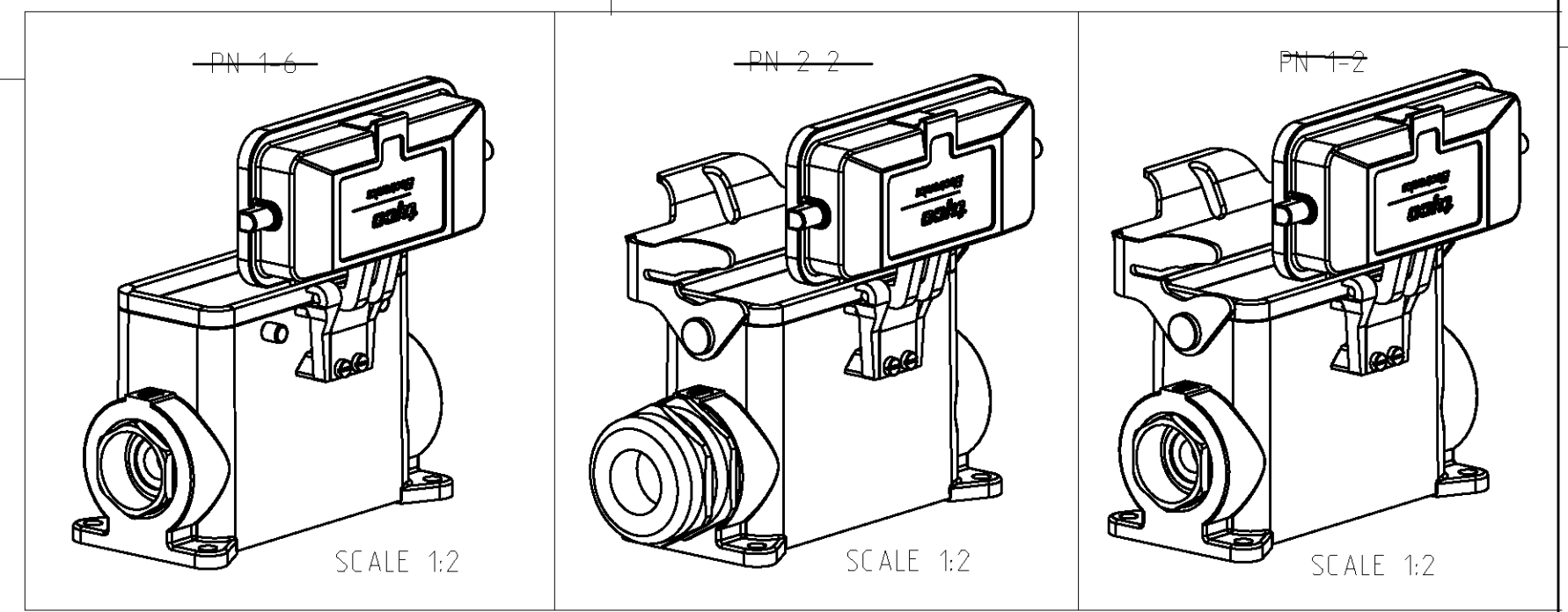
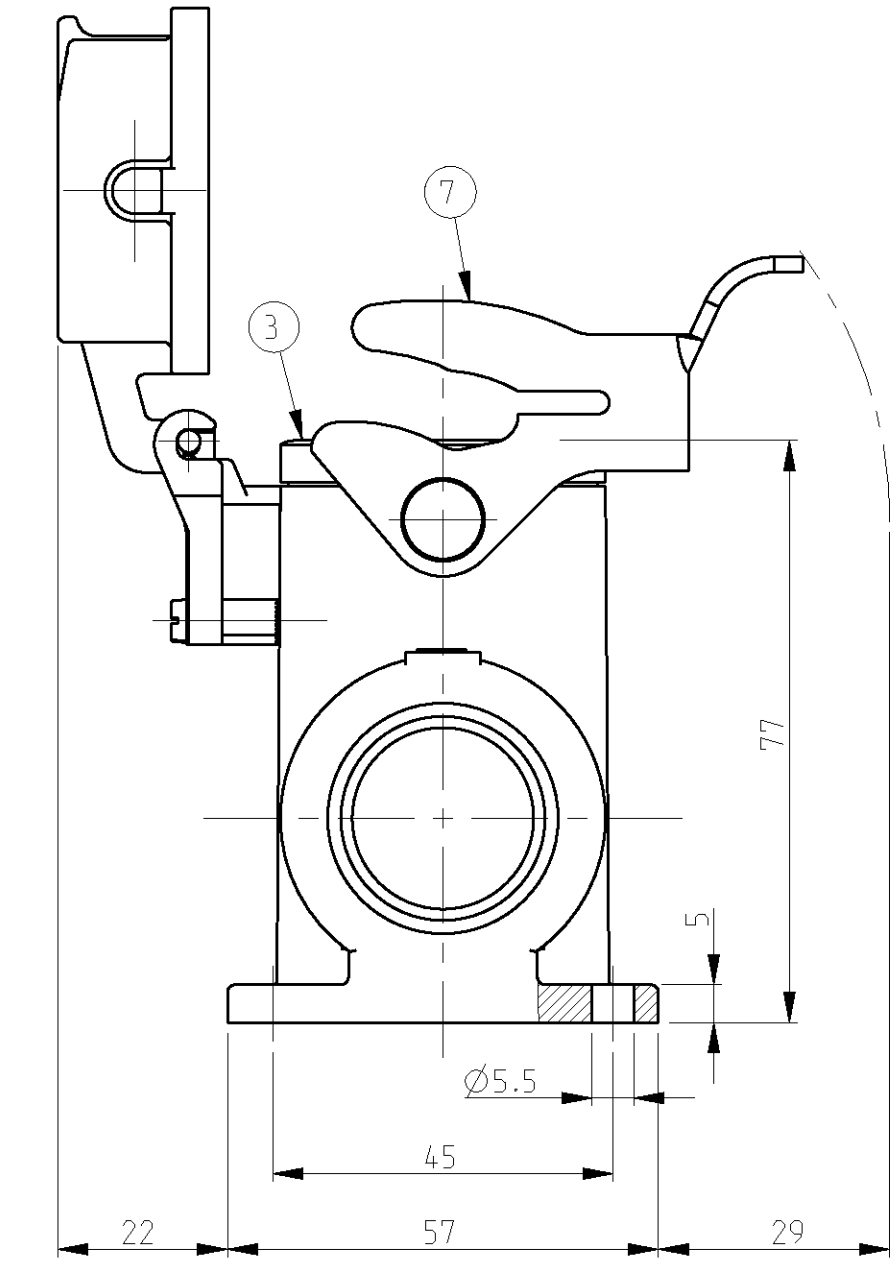
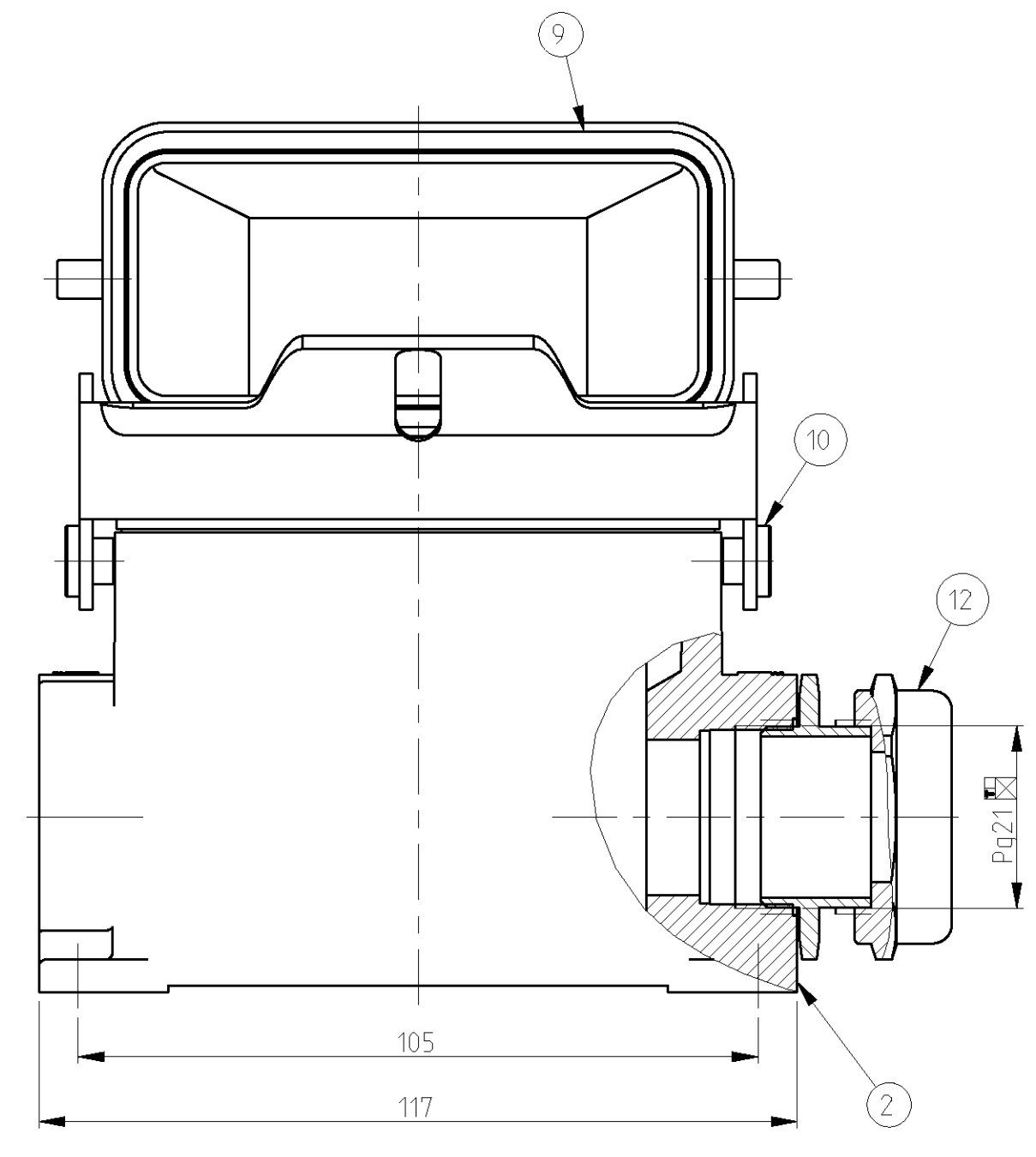
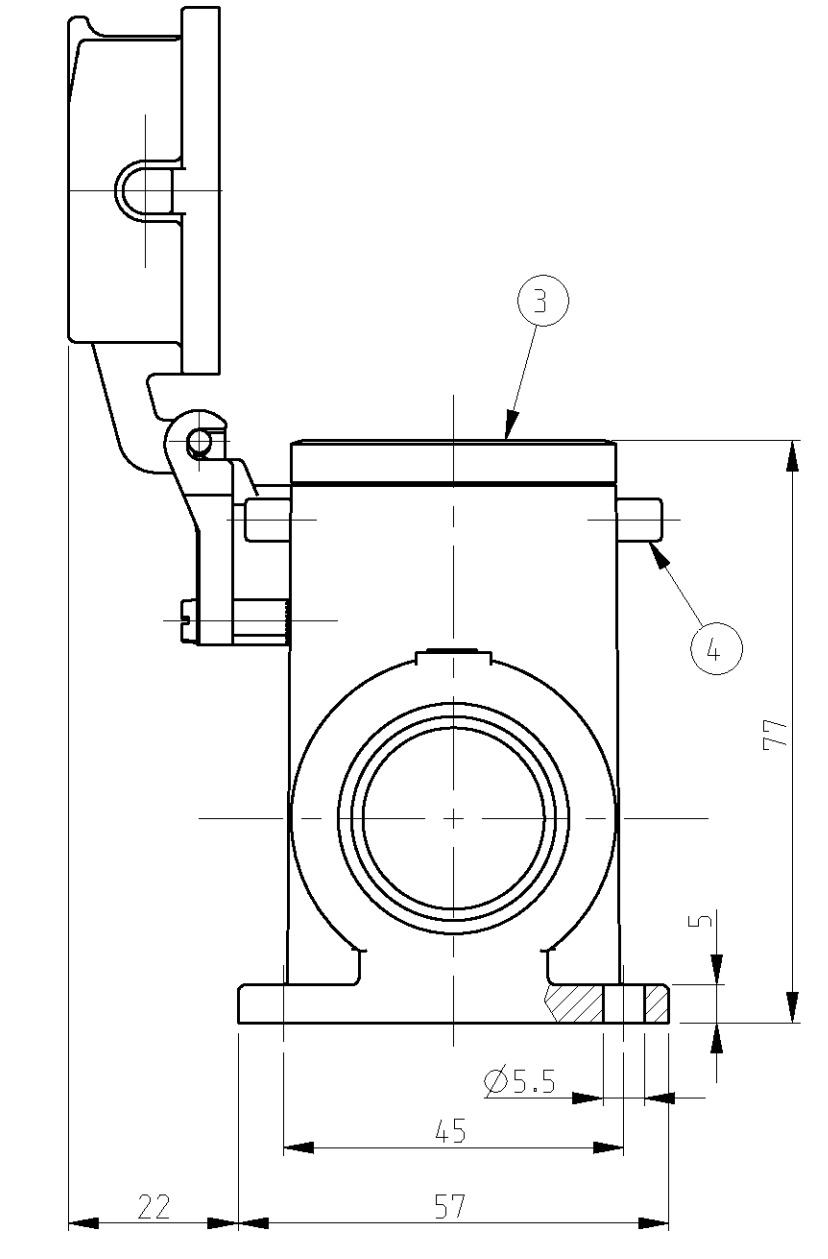
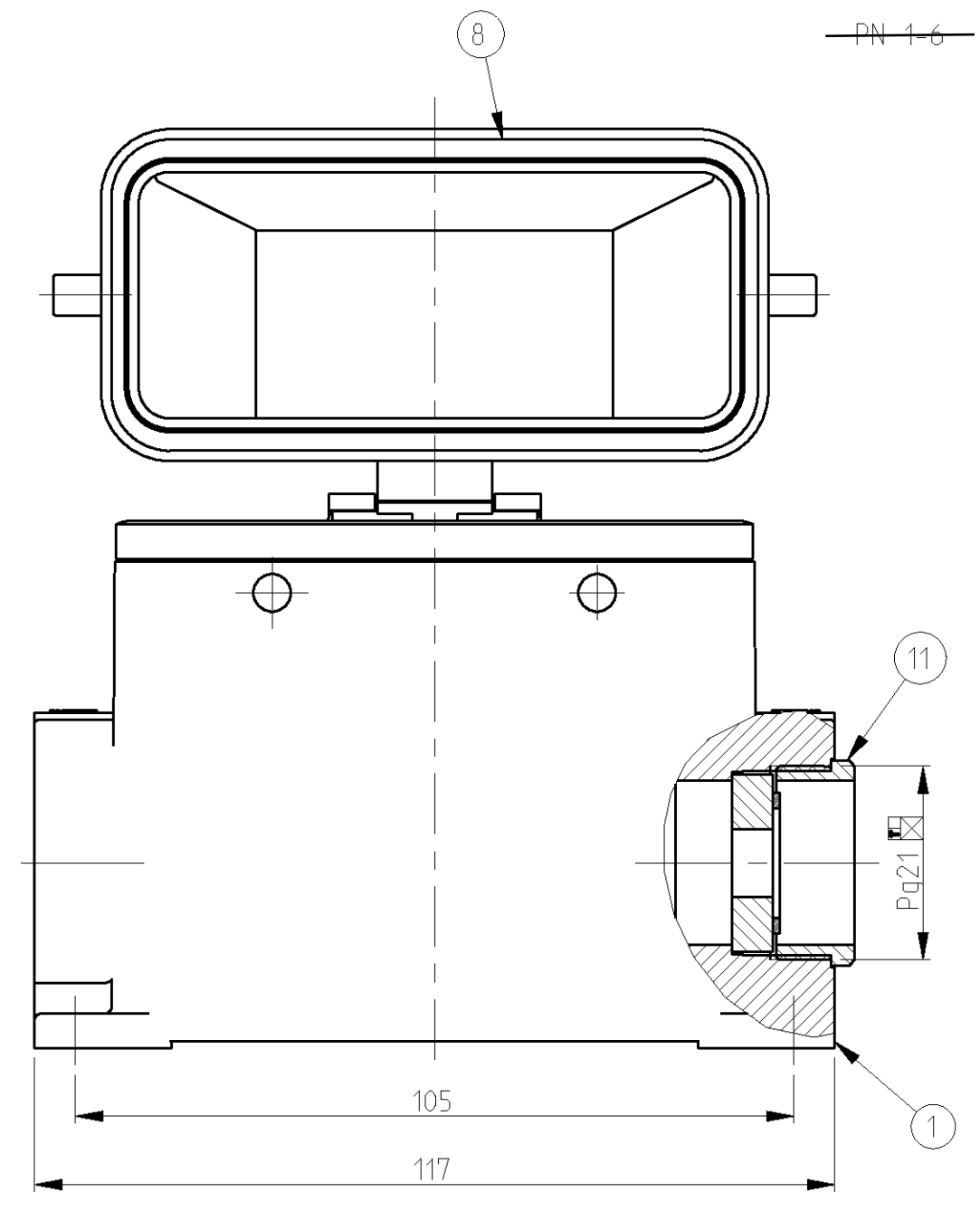
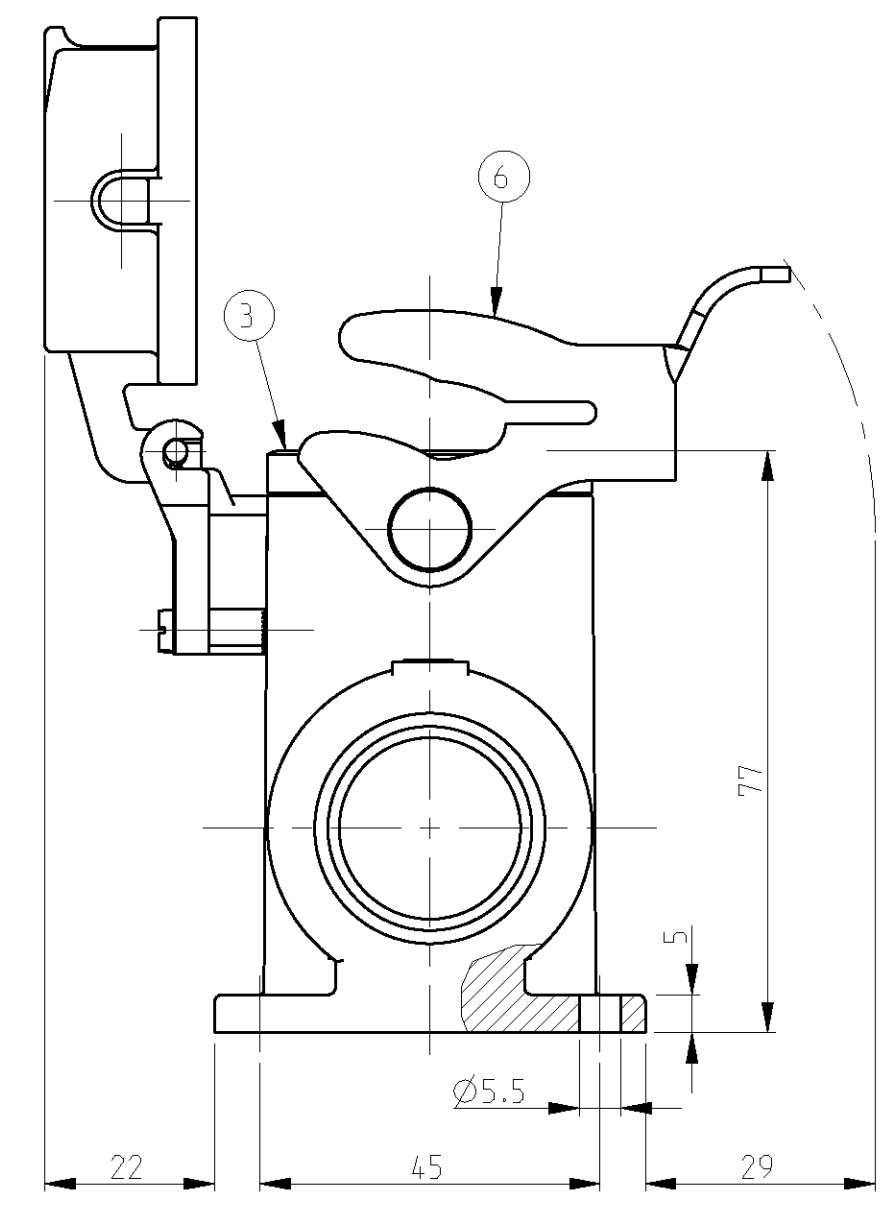
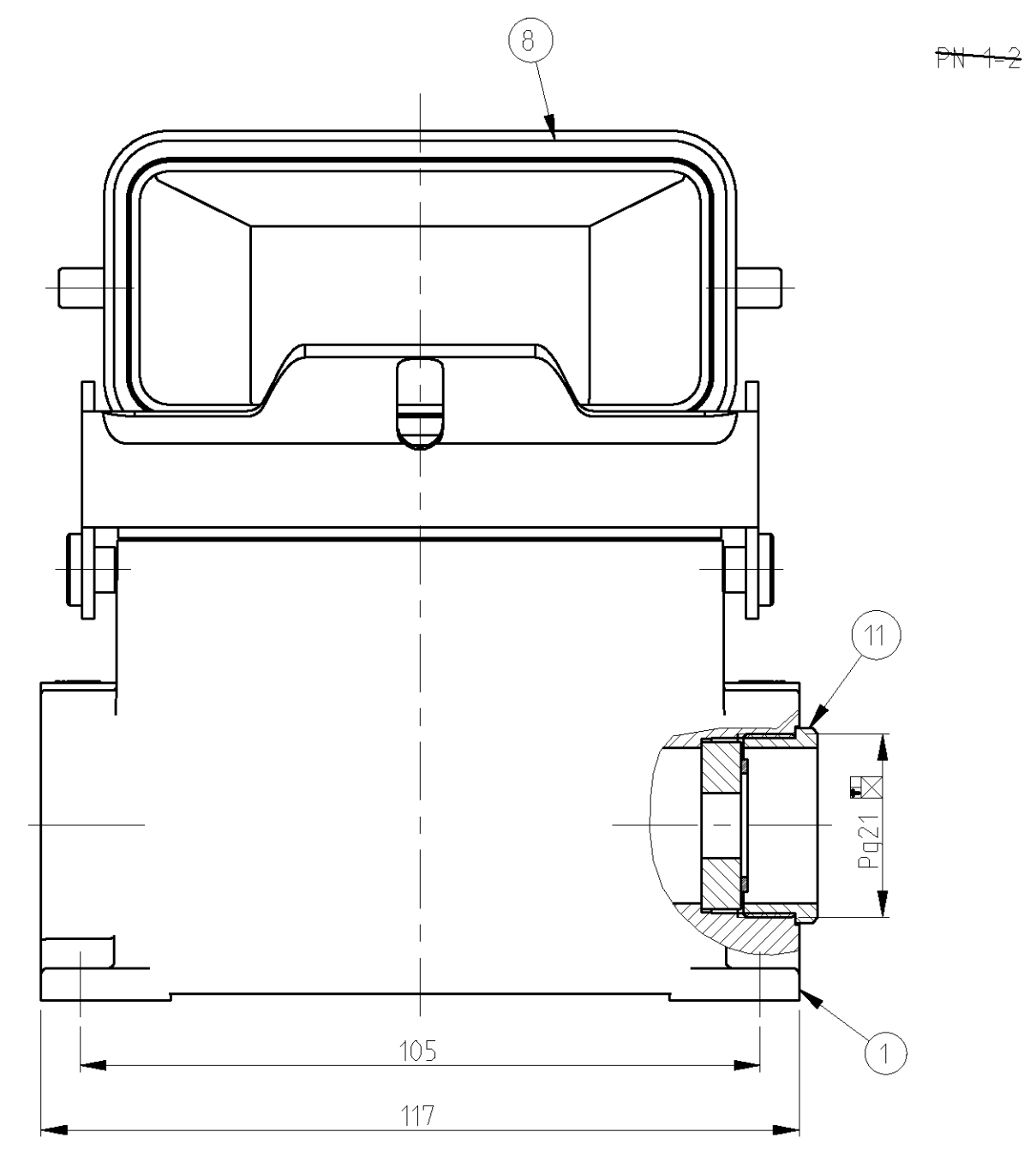


LOC	QTY	REVISIONS	DATE	BY	APPV
A4	1	REVISED PER ECO-09-027197	20JAN10	KK	HMR
A5	1	ECR-17-001189	18AUG2017	RG	MKO

- NOTES.
- Material:Housing:Aluminium Diecasting Alloy  
Seals:Neoprene
  - Surface:Varnish grey  
-Aluminium Oxide +Varnish Black
  - Varnish on the inside not necessary
  - Packaging  
Quantify 5 Pieces in a box
- ⚠** OBSOLETE PARTS: OBSOLETE CIS STREAMLINING PER D.RENAUD/D.SINISI



QTY	DESCRIPTION	MATERIAL	SURFACE	COLOR	ITEM NO	REMARKS
1	Gland fitting PG21	Brass	Nickel plated		12	
1	DS-Cable connection round PG21	Brass	Nickel plated		11	
2	LB-Clip bolt	Stainless steel	Blank		10	
1	Cover HB.16	Aluminium	Aluminium oxide	Black	9	
1	Cover HB.16	Aluminium		Grey	8	
1	LB-Side clip	Stainless steel	Blank		7	
1	LB-Side clip	Steel	Zinc plated		6	
4	VS-Clip bolt	Stainless steel	Blank		5	
4	VS-Clip bolt	Steel	Zinc plated		4	
1	Profile seal	Neoprene		Black	3	
1	Surface mounted housing HD.40.Pg.1.21	Aluminium	Aluminium oxide	Black	2	
1	Surface mounted housing HD.40.Pg.1.21	Aluminium		Grey	1	

ORDERING TEXT  
 HD.40.SGD.1.21  
 HD-K.40.SGD.LB.1.21  
 HD-K.40.SGD.LB.1.21

AMP 4895 REV 31MAR2000

Downloaded From [Coneyac.com](http://Coneyac.com)

PROENGINEER DRAWING

TE Connectivity

Surface mounted housing side entry  
 HD.40.SGD.1.21

SCALE 1:1 SHEET 1 OF 1 REV A5

单击下面可查看定价，库存，交付和生命周期等信息

[>>TE Connectivity\(泰科\)](#)