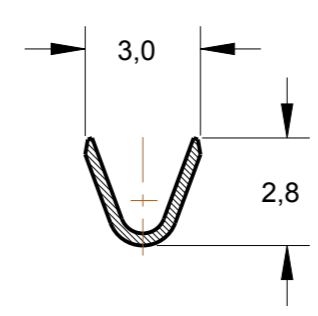
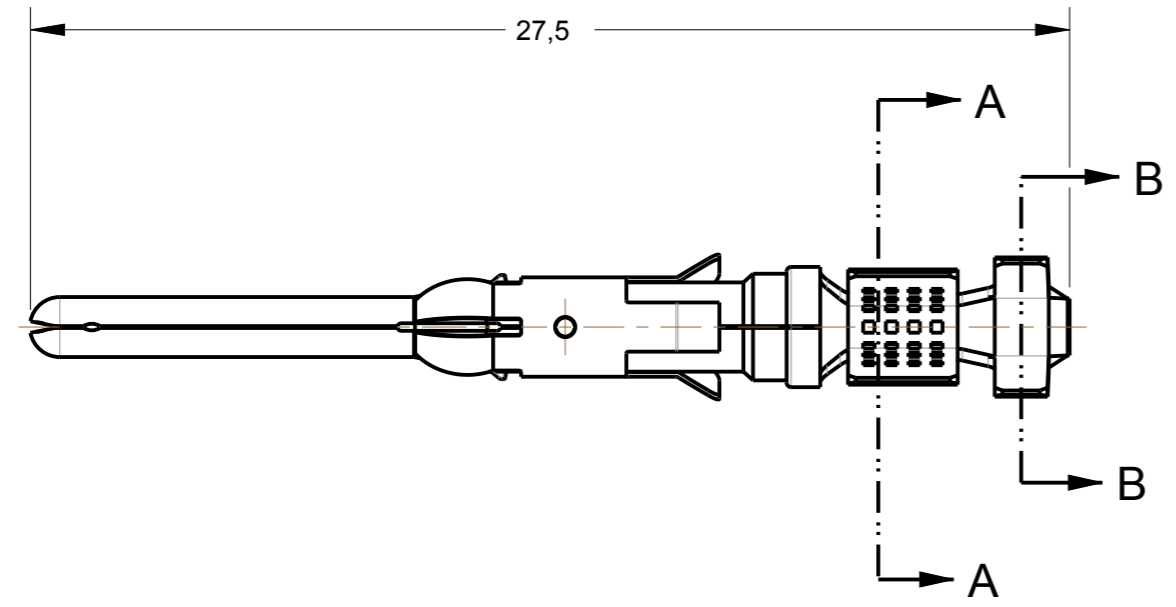


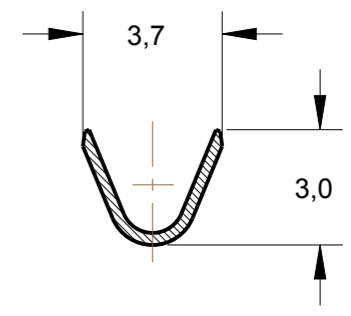
THIS DRAWING IS UNPUBLISHED. RELEASED FOR PUBLICATION 20
 © COPYRIGHT20 BY - ALL RIGHTS RESERVED.

creo
 Creo Parametric 3.0
**DO NOT REVISE
 EXCEPT BY CAD**

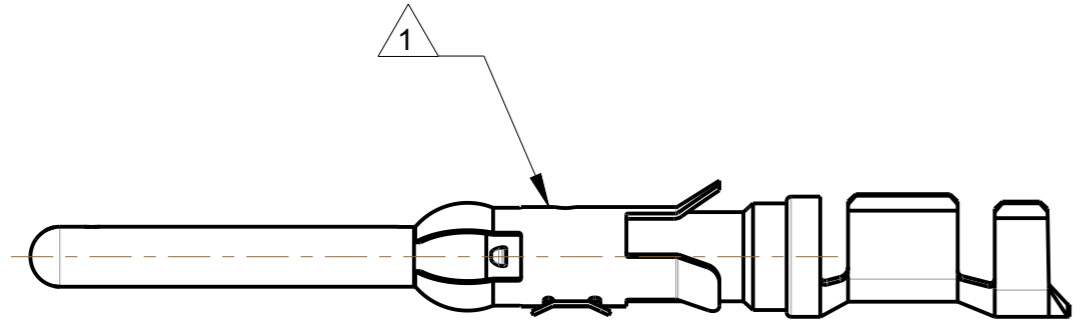
REVISIONS					
P	LTR	DESCRIPTION	DATE	DWN	APVD
	A1	REVISED DRAWING ECO-17-007396	23MAY2017	NCL	DAO



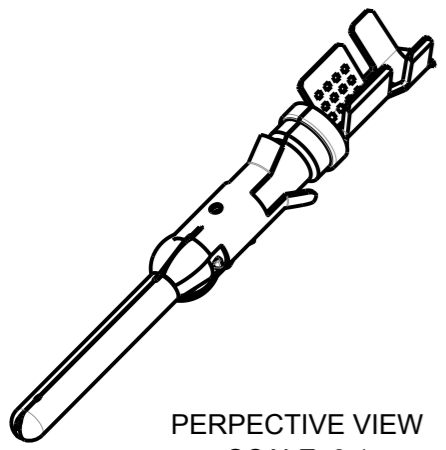
SECTION A-A
 SCALE 5:1



SECTION B-B
 SCALE 5:1



1 - MOLA DE AÇO INOX
 - SPRING STAINLESS STEEL



PERPECTIVE VIEW
 SCALE 3:1

INSUL.RANGE	WIRE RANGE
2,0-2,5mm (.080-.100)	0,75-1,50mm ² (18-16 AWG)

163081-2	DOURADO (SEL.GOLD)	LATÃO / BRASS	881459-2
1-163081-2	PRE ESTANHADO (PRE TIN)	LATÃO / BRASS	881459-1
MAKE FROM(STRIP)		FINISH	MATERIAL
THIS DRAWING IS A CONTROLLED DOCUMENT.		TE Connectivity	
DWN 23MAY2017 NCLAPRESA			
CHK 23MAY2017 ELOPES			
APVD 23MAY2017 DAOLIVEIRA		NAME PIN TYPE III 1.6 DIA TERMINAL LOOSE PIECE	
DIMENSIONS: mm		SIZE A3	
TOLERANCES UNLESS OTHERWISE SPECIFIED:		CAGE CODE -	
0 PLC ±-		DRAWING NO C-881459	
1 PLC ±0,3		RESTRICTED TO -	
2 PLC ±-		SCALE 5:1	
3 PLC ±-		SHEET 1 OF 1	
4 PLC ±-		REV A1	
ANGLES ±1°		CUSTOMER DRAWING	
MATERIAL SEE TABLE		FINISH -	

OBSOLETE

单击下面可查看定价，库存，交付和生命周期等信息

[>>TE Connectivity\(泰科\)](#)