

THIS DRAWING IS UNPUBLISHED. RELEASED FOR PUBLICATION 2011
 © COPYRIGHT 2011 TE CONNECTIVITY ALL RIGHTS RESERVED.

LOC	DIST	REVISIONS			
P	LTR	DESCRIPTION	DATE	DWN	APVD
B	-	J	ECR-13-001710	29/01/13	JB MG

D

D

C

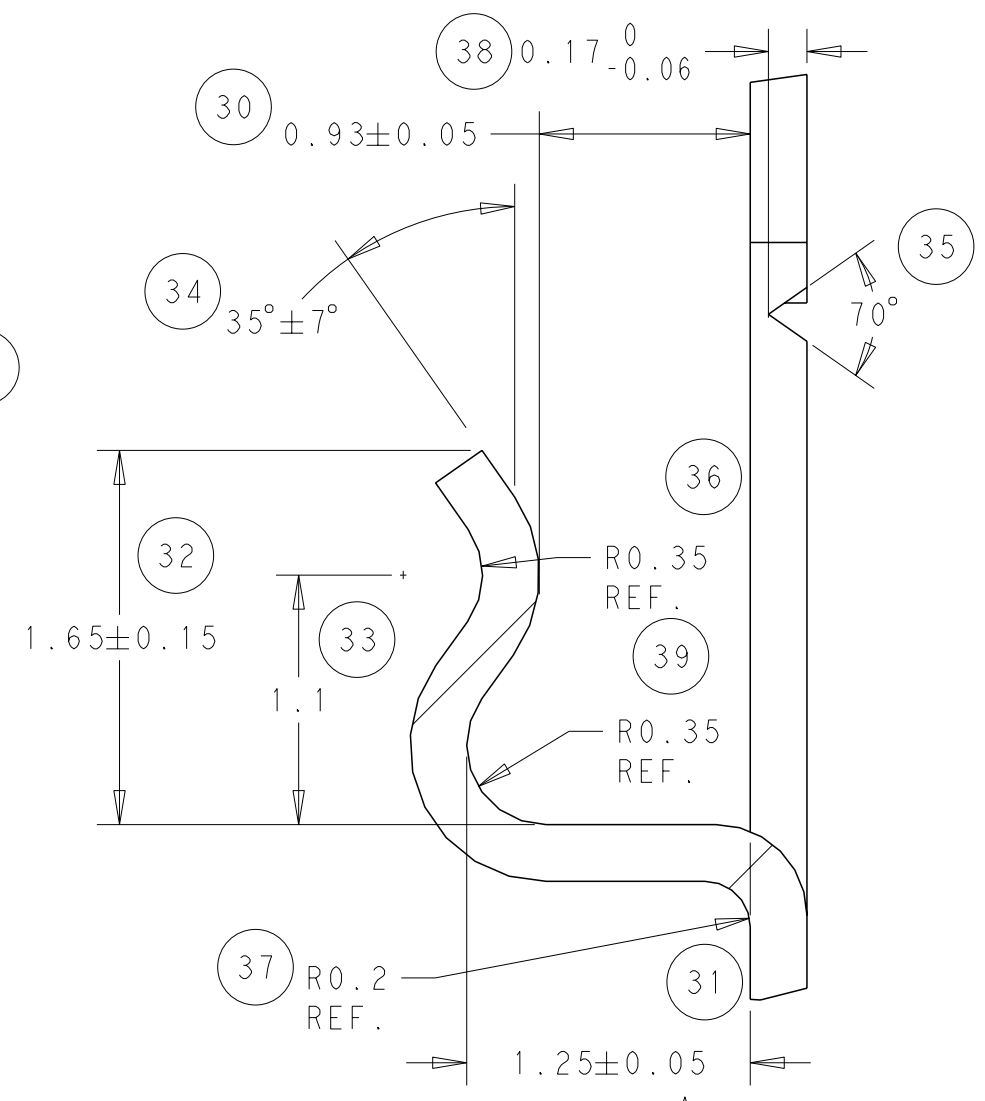
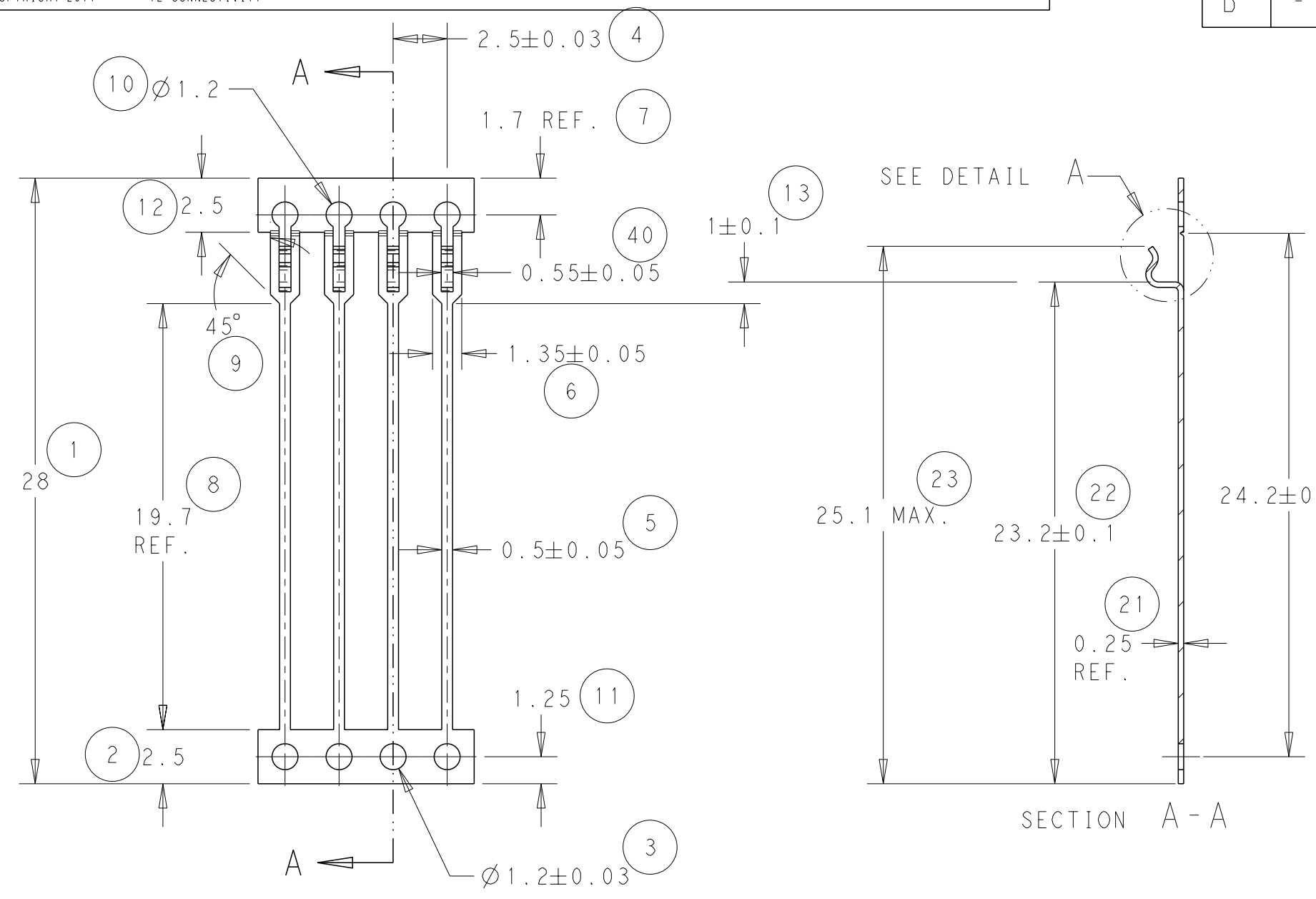
C

B

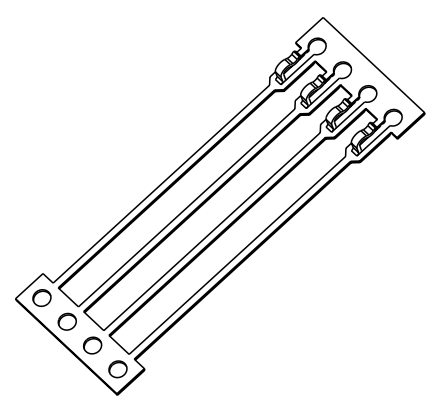
B

A

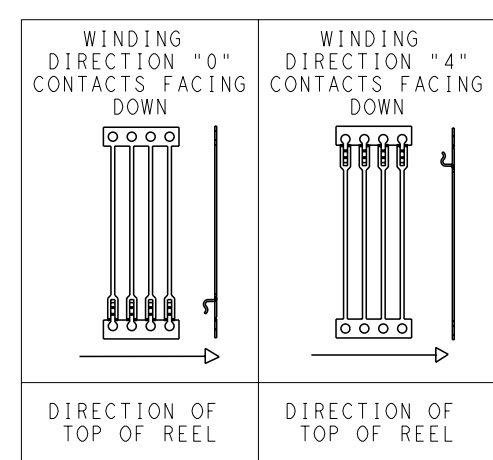
A



NOTE
 BOWING: AFTER UPPER TIE BAR REMOVAL - 2.0mm MAX. FOR 500mm
 PITCH: AFTER UPPER TIE BAR REMOVAL - 2.5±0.2



SCALE 2:1



THIS DRAWING IS A CONTROLLED DOCUMENT.

DIMENSIONS:	TOLERANCES UNLESS OTHERWISE SPECIFIED:
mm	
	0 PLC ±0.1
	1 PLC ±0.1
	2 PLC ±0.05
	3 PLC ±0.05
	4 PLC ±
	ANGLES ±0.5
MATERIAL	FINISH
SEE ABOVE	-

DWN	01/09/11
J. BRIGHT	
CHK	01/09/11
M. GREENER	
APVD	01/09/11
D. PENNINGTON	
PRODUCT SPEC	
APPLICATION SPEC	
WEIGHT	

4	ELECTROPLATED Ni & Sn	0-1544356-1
0	Pre-Tin	0-1544167-1
REELING	FINISH	PART NUMBER
TE TE Connectivity		
NAME SIL CONTACT		
SIZE	CAGE CODE	DRAWING NO
A300779	C=1544167	
Customer Drawing	SCALE NTS	SHEET 1 OF 1 REV J

单击下面可查看定价，库存，交付和生命周期等信息

[>>TE Connectivity\(泰科\)](#)