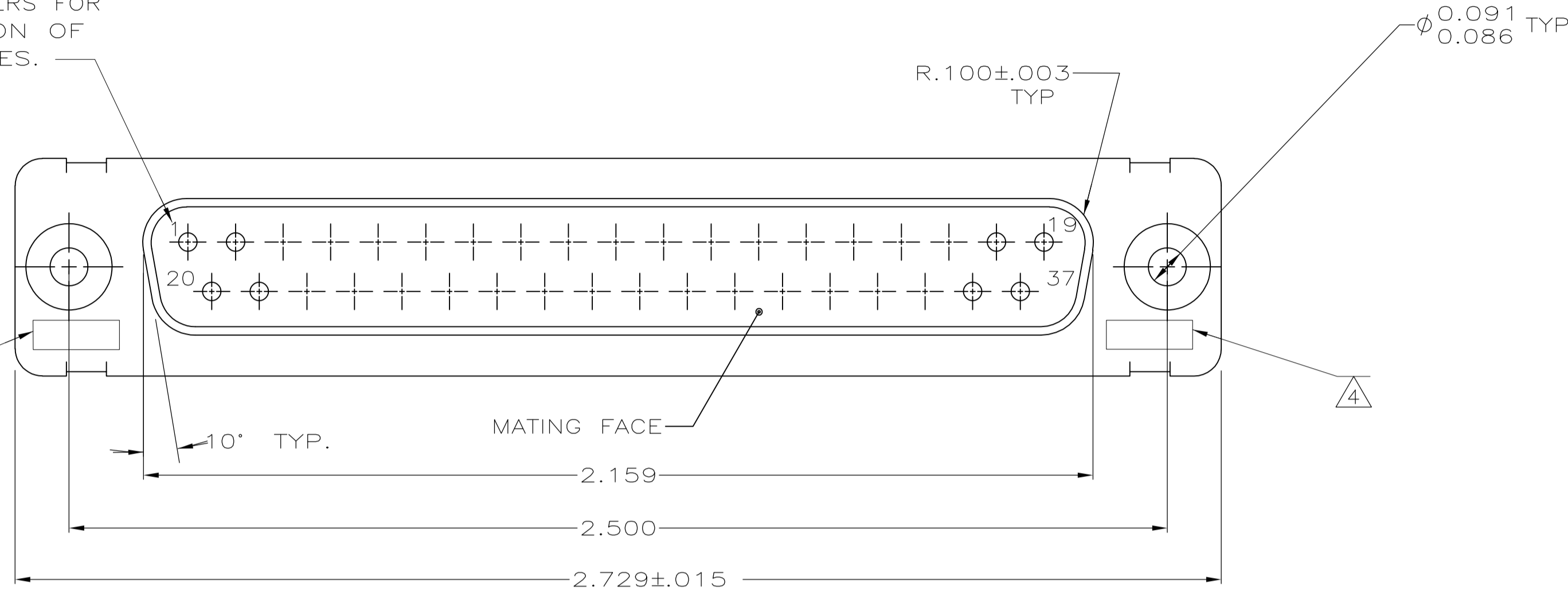
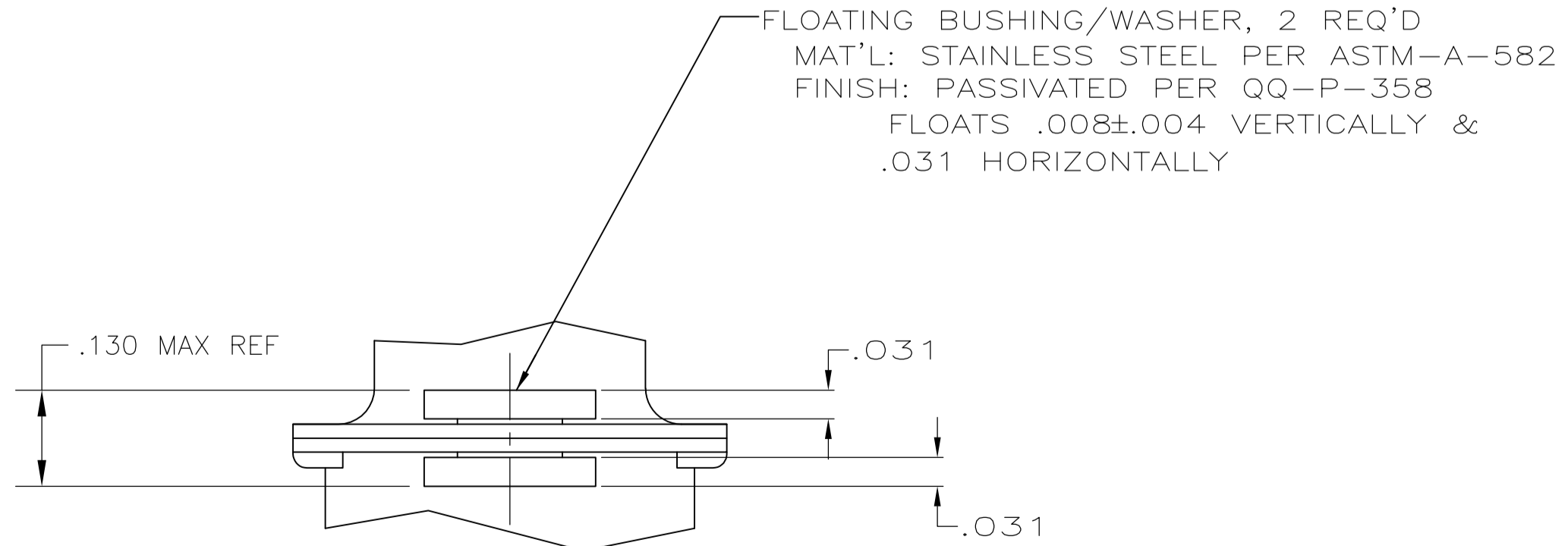
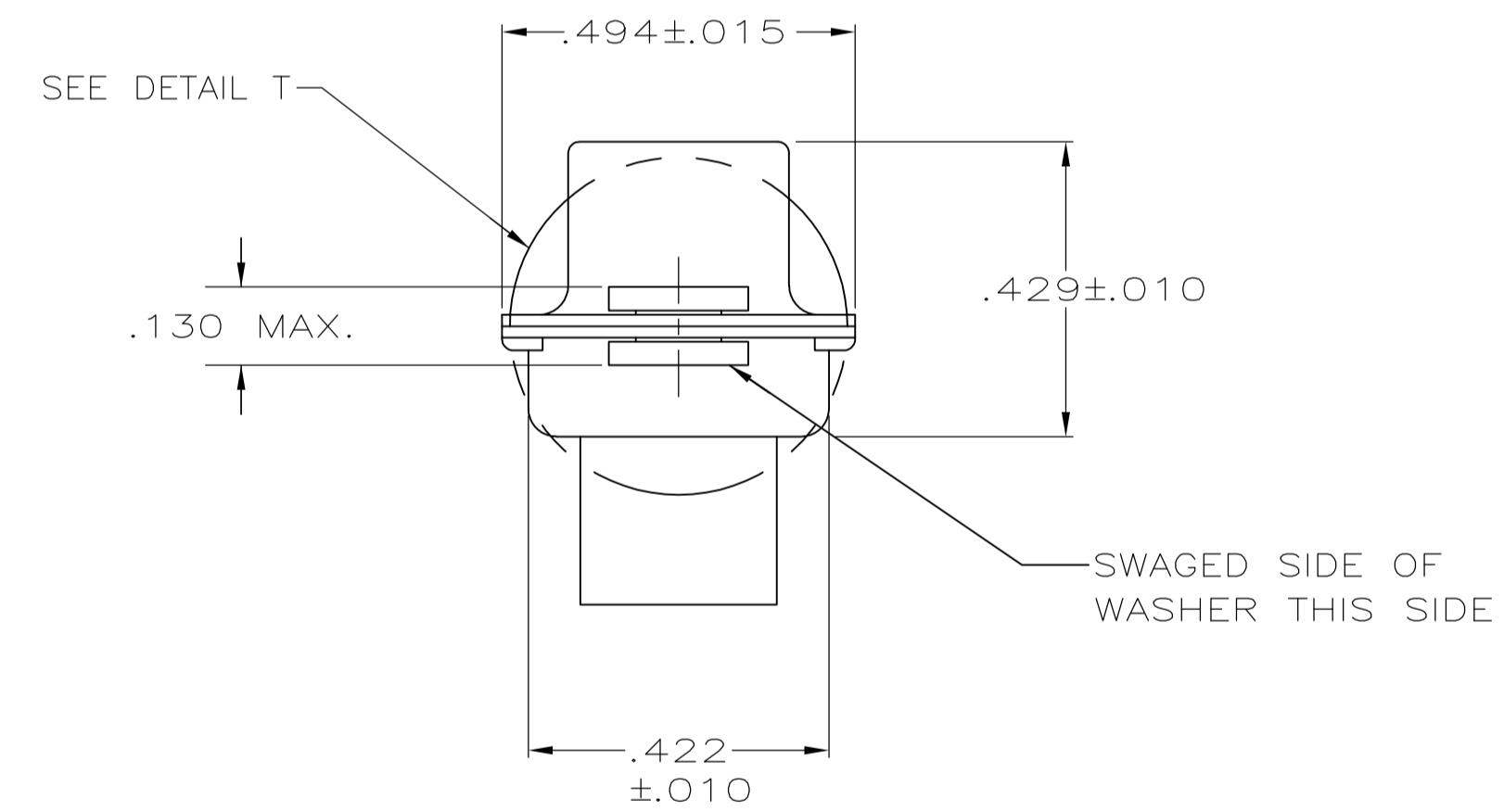
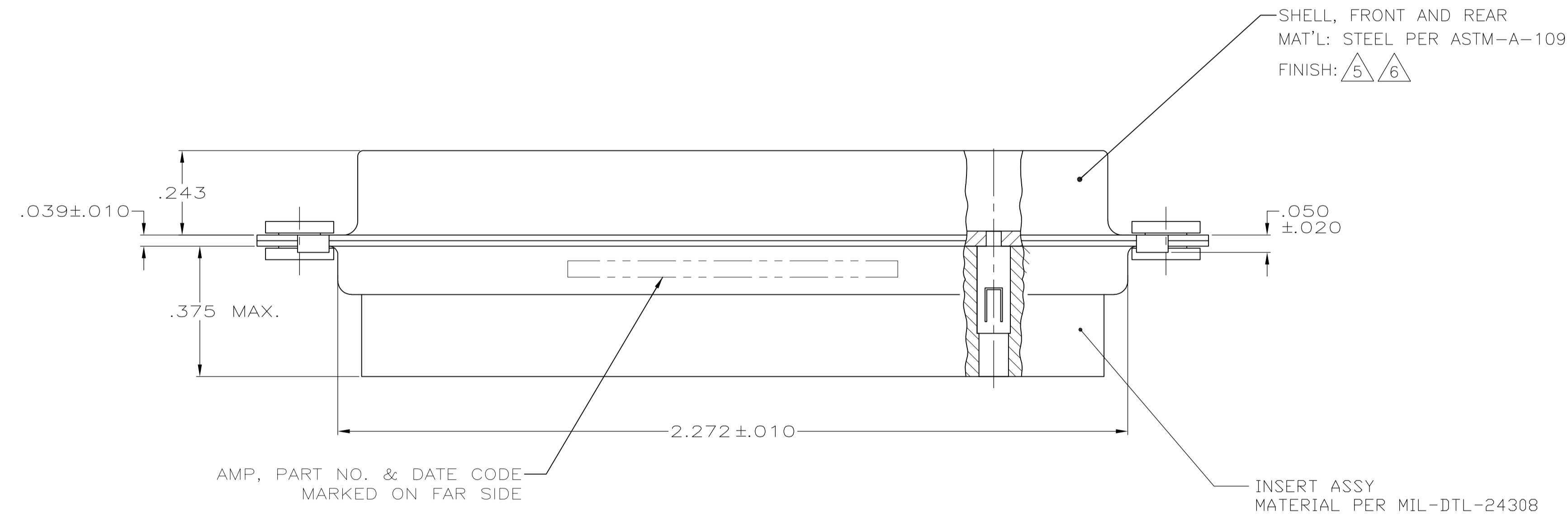


LOC		DIST		REVISIONS			
P	LTR	DESCRIPTION	DATE	DMN	APVD		
B		REV PER ECO 15-005909	5-19-15	CT	DM		

RAISED NUMBERS FOR IDENTIFICATION OF CIRCUIT HOLES.



1. MAXIMUM WIRE INSULATION TO BE USED WITH THIS PLUG IS .068 DIA.
2. STAINLESS STEEL RETENTION CLIPS ARE INCLUDED IN INSERTS.
3. THIS PLUG WILL ACCEPT SIZE 20 PIN CONTACT M39029/64-369 OR AMP PART NUMBER 205089-1.
4. UL/CSA DESIGNATION MARKED IN THIS AREA, OPTIONAL
5. FINISH: CADMIUM PER QQ-P-416
6. FINISH: ZINC PLATED PER ASTM-B-633, .000200-.000400 THK WITH SUPPLEMENTARY CHROMATE (Cr3+)



DETAIL T
SCALE 6:1

PLATED PER 6	5-1484949-1
PLATED PER 5	1484949-1
DESCRIPTION	PART NUMBER

THIS DRAWING IS A CONTROLLED DOCUMENT.		DIN 8-28-02		C.C. THOMAS	
DIMENSIONS: INCHES		TOLERANCES UNLESS OTHERWISE SPECIFIED:		CHK 8-28-02	
0 PLC ± -		1 PLC ± -		D. MILLER	
1 PLC ± -		2 PLC ± -		APVD 8-28-02	
2 PLC ± -		3 PLC ± .005		NAME	
3 PLC ± -		4 PLC ± -		D. MILLER	
4 PLC ± -		ANGLES ± # 0° 30'		PRODUCT SPEC	
MATERIAL SEE CALLOUTS		FINISH SEE CALLOUTS		APPLICATION SPEC	
WEIGHT		SIZE		CASE CODE	
CUSTOMER DRAWING		A1		DRAWING NO	
SCALE 4:1		1484949		RESTRICTED TO	
SHEET 1 OF 1		REV B			

单击下面可查看定价，库存，交付和生命周期等信息

[>>TE Connectivity\(泰科\)](#)