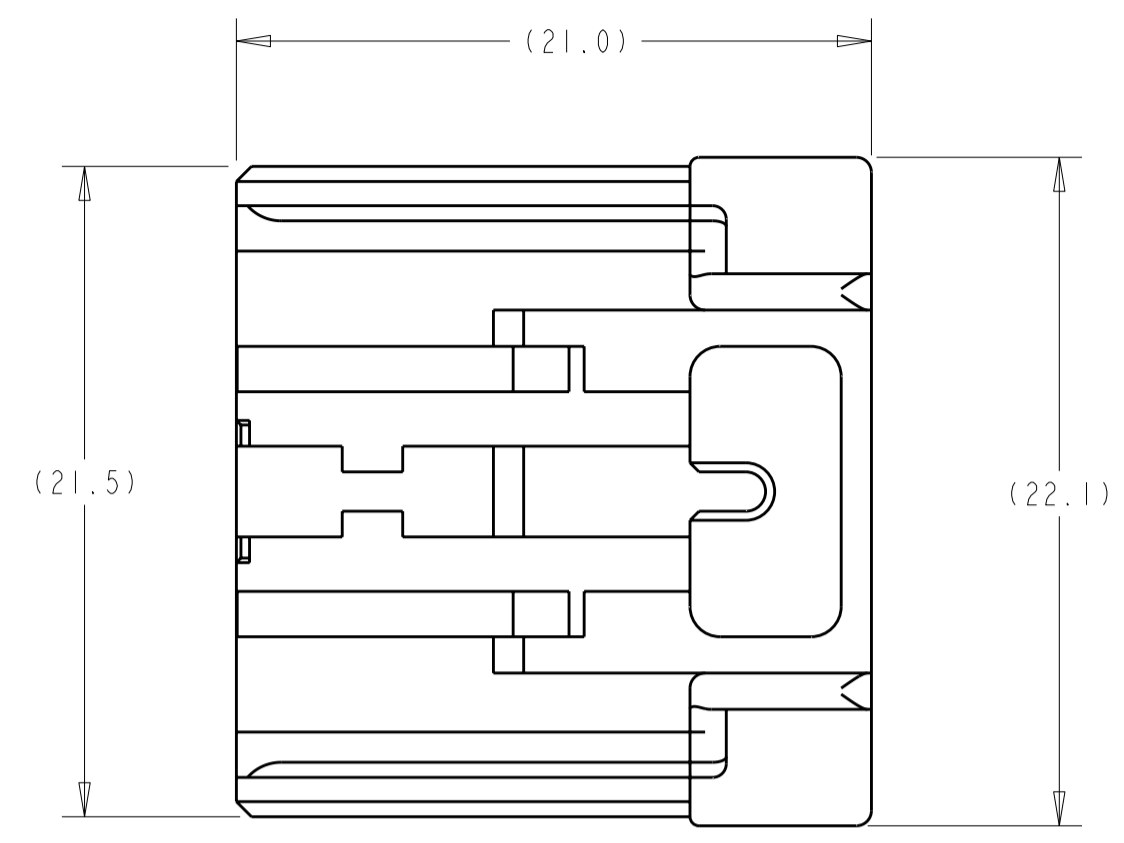
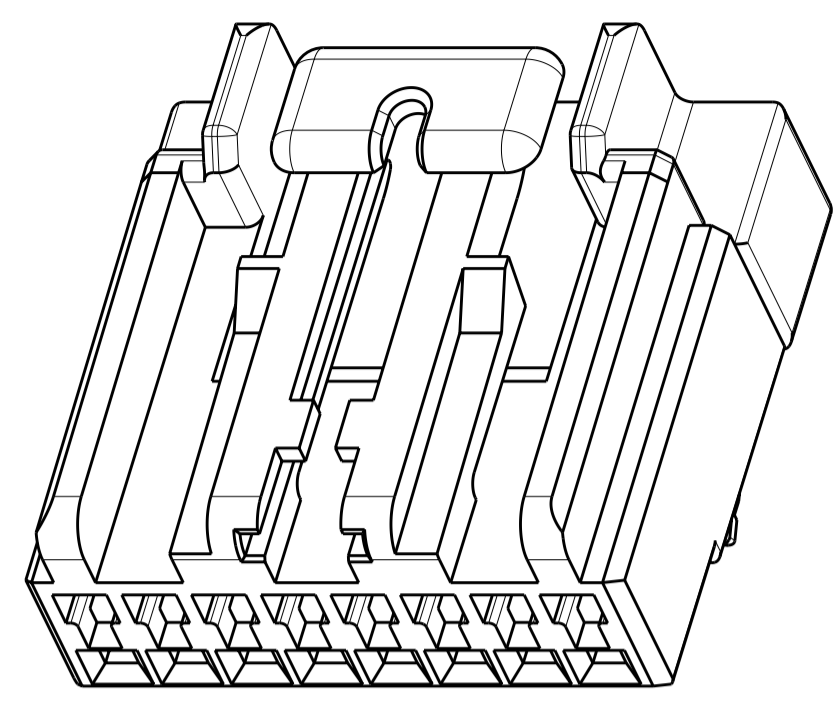
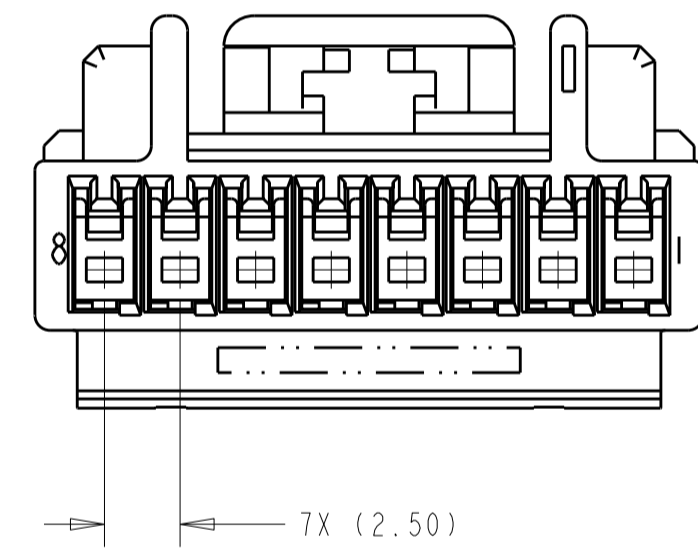
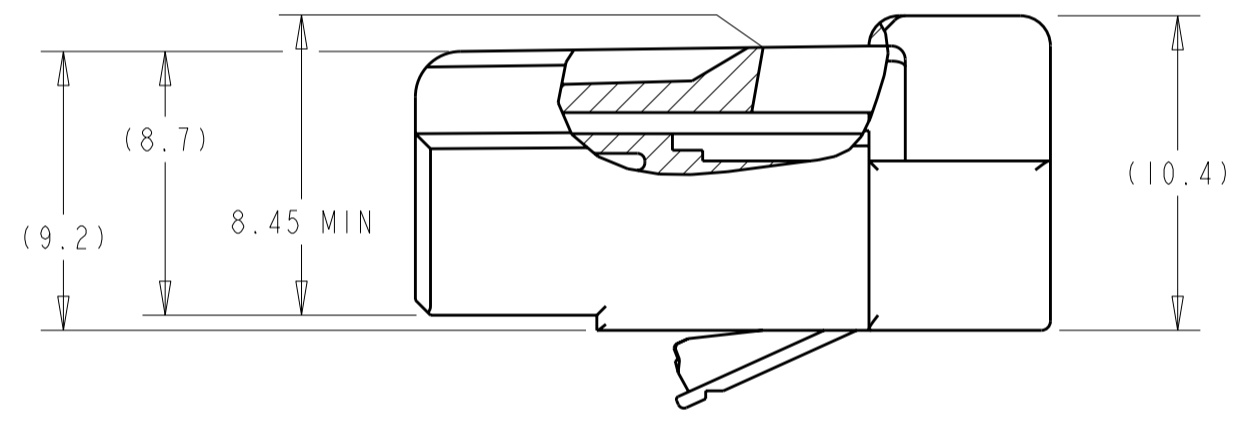
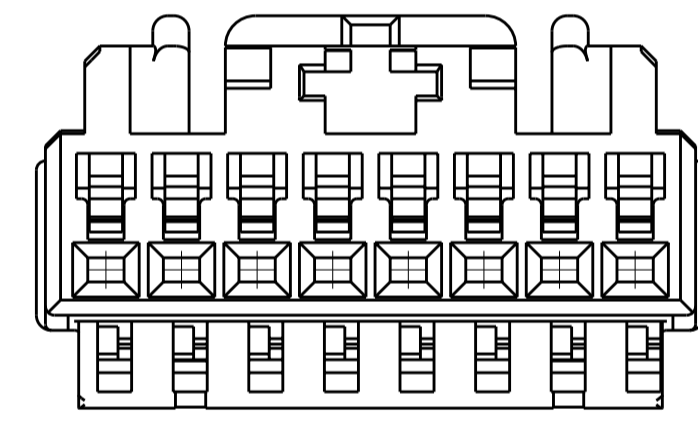


THIS DRAWING IS UNPUBLISHED. RELEASED FOR PUBLICATION  
 © COPYRIGHT 20 BY TYCO ELECTRONICS CORPORATION. ALL INTERNATIONAL RIGHTS RESERVED.

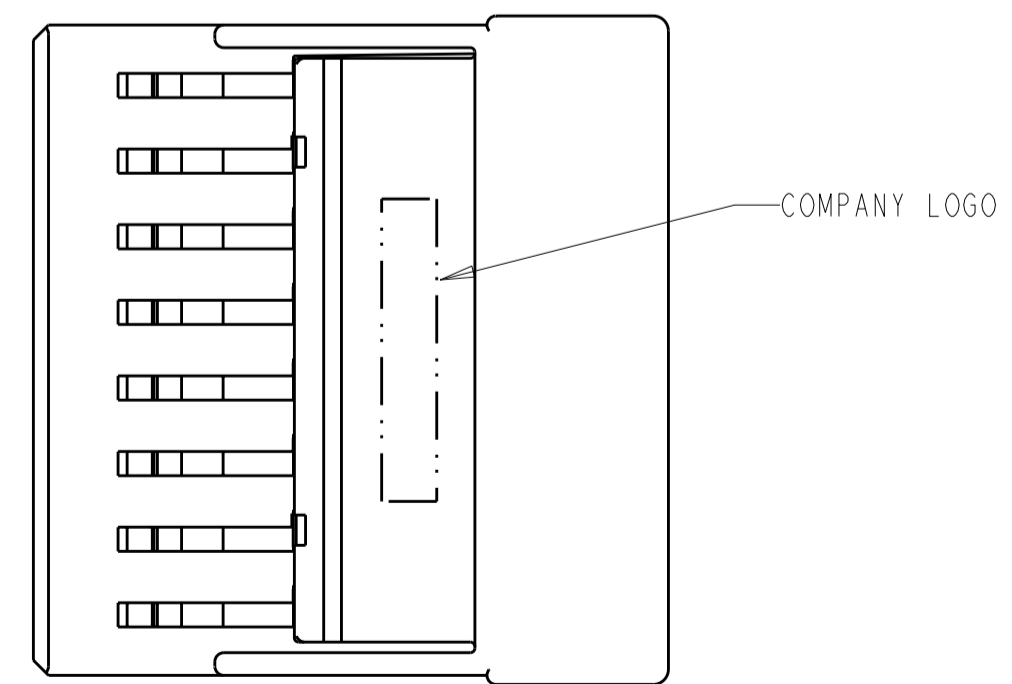
LOC	DIST	REVISIONS			
P	LTR	DESCRIPTION	DATE	DWN	APVD
FX	00	B1	REVISED PER ECO-10-011214	27MAY2010	DD SA



1. APPLICABLE FEMALE TERMINAL PART NUMBERS: 175265 TIN PLATING  
175266 GOLD PLATING
2. MATING PCB CAP ASSEMBLY PART NUMBER: 9-638973-2.
3. TERMINAL INSTRUCTION 408-8652 APPLIES.



SECTION AA-AA



BLACK	638971-2
COLOR	PART NUMBER

<small>THIS DRAWING IS A CONTROLLED DOCUMENT FOR TYCO ELECTRONICS CORPORATION. IT IS SUBJECT TO CHANGE AND THE CONTROLLING ENGINEERING ORGANIZATION SHOULD BE CONTACTED FOR THE LATEST REVISION.</small>		DWN A HOLT 07JAN2002 CHK S ASHLEY 07JAN2002 APVD S ASHLEY 07JAN2002	<b>Tyco Electronics</b> Tyco Electronics Harrisburg, PA 17105-3608
DIMENSIONS: mm 	TOLERANCES UNLESS OTHERWISE SPECIFIED: 0 PLC ± 1 PLC ±0.3 2 PLC ± 3 PLC ± 4 PLC ± ANGLES ±° FINISH	PRODUCT SPEC 108-5244 APPLICATION SPEC 114-5159 WEIGHT 2.32g	NAME 8 POSITION PLUG HOUSING, SIDE LOCK/CPA, .040 II SERIES MULTI-LOCK SIZE A2 CAGE CODE 00779 DRAWING NO C-638971 RESTRICTED TO -
MATERIAL PBT	CUSTOMER DRAWING		SCALE 4:1 SHEET 1 OF 1 REV B1

单击下面可查看定价，库存，交付和生命周期等信息

[>>TE Connectivity\(泰科\)](#)