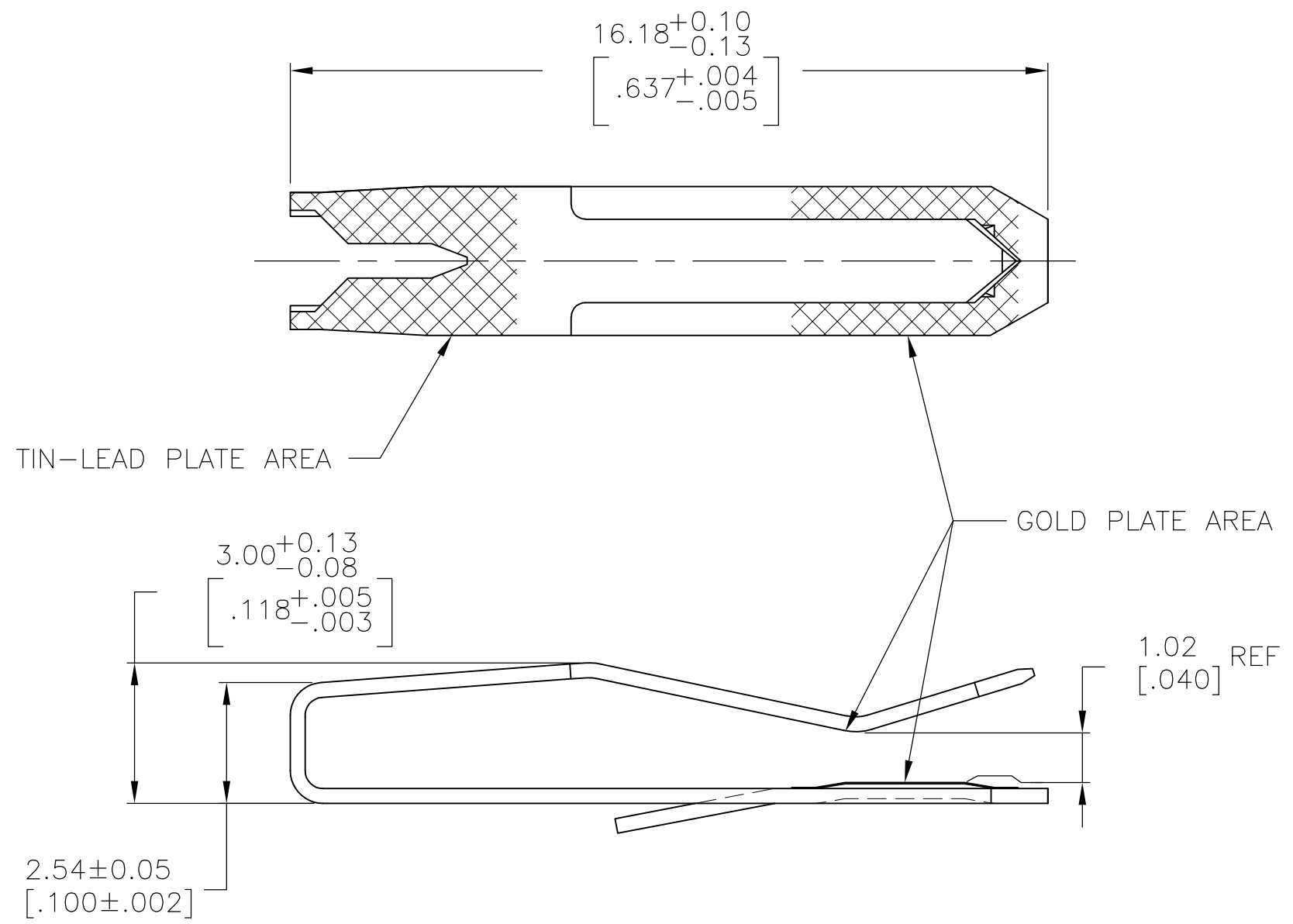


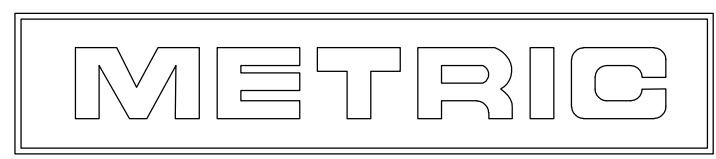
THIS DRAWING IS UNPUBLISHED. RELEASED FOR PUBLICATION
 © COPYRIGHT - By - ALL RIGHTS RESERVED.

| LOC | DIST | REVISIONS | | | |
|-----|------|-------------|---------------------------|---------|--------|
| P | LTR | DESCRIPTION | DATE | DWN | APVD |
| CM | 00 | C1 | REVISED PER ECO-11-014117 | 13JUL11 | HMR SM |



- DIMENSIONS IN BRACKETS ARE IN INCHES.
- $\triangle 2$ 0.00038 [.000015] MIN THICK GOLD IN THE GOLD PLATE AREA OVER 0.00127 [.000050] MIN THICK NICKEL.
- $\triangle 3$ 0.00076 [.000030] MIN THICK GOLD IN THE GOLD PLATE AREA OVER 0.00127 [.000050] MIN THICK NICKEL.
- $\triangle 4$ 0.00203 [.000080] MIN THICK TIN-LEAD IN THE TIN-LEAD PLATE AREA OVER 0.00127 [.000050] MIN THICK NICKEL.
- $\triangle 5$ MATTE TIN 0.00203(.000080) MIN THICK IN TIN PLATED AREA

| | | |
|----------|---------------------------|----------|
| OBSOLETE | $\triangle 3 \triangle 5$ | 641143-4 |
| | $\triangle 2 \triangle 5$ | 641143-3 |
| | $\triangle 3 \triangle 4$ | 641143-2 |
| | $\triangle 2 \triangle 4$ | 641143-1 |
| | FINISH | PART NO |



| | | | | |
|--|--|-------------------------|--|---------------------|
| THIS DRAWING IS A CONTROLLED DOCUMENT. | | DWN BSV 25OCT2005 | STE TE Connectivity | |
| DIMENSIONS: mm [INCHES] | | CHK D. BOSSI 25OCT2005 | | |
| TOLERANCES UNLESS OTHERWISE SPECIFIED: | | APVD D. BOSSI 25OCT2005 | NAME CONTACT, GOLD STRIPE, 18 AWG WIRE, LOOSE PIECE, MTA 156 | |
| 0 PLC ± - | | PRODUCT SPEC - | SIZE A3 | |
| 1 PLC ± - | | APPLICATION SPEC - | CAGE CODE 00779 | DRAWING NO C-641143 |
| 2 PLC ± - | | WEIGHT - | RESTRICTED TO - | |
| 3 PLC ± 0.13 [.005] | | CUSTOMER DRAWING | SCALE 8:1 | SHEET 1 OF 1 |
| 4 PLC ± - | | | REV C1 | |
| ANGLES ± - | | | | |
| FINISH SEE TABLE | | | | |
| MATERIAL 0.30 [.012] THK COPPER ALLOY | | | | |

单击下面可查看定价，库存，交付和生命周期等信息

[>>TE Connectivity\(泰科\)](#)