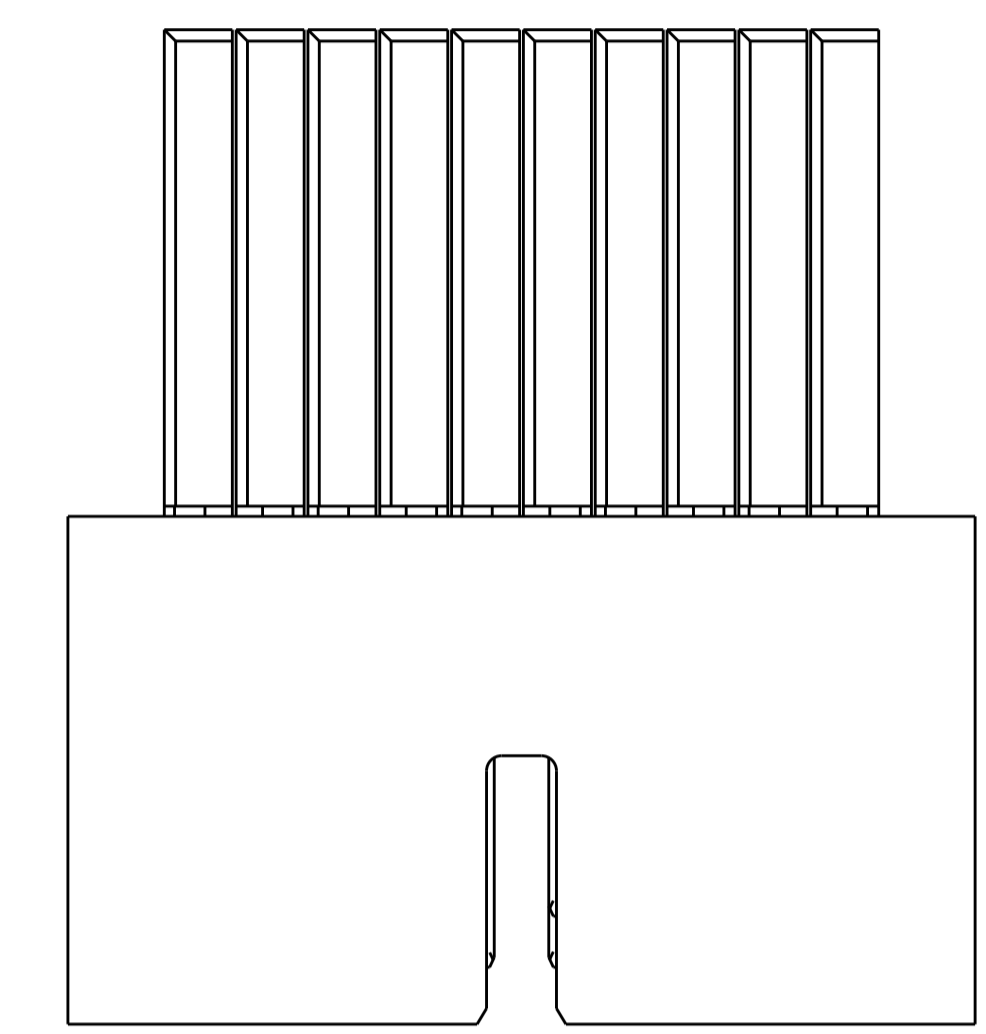
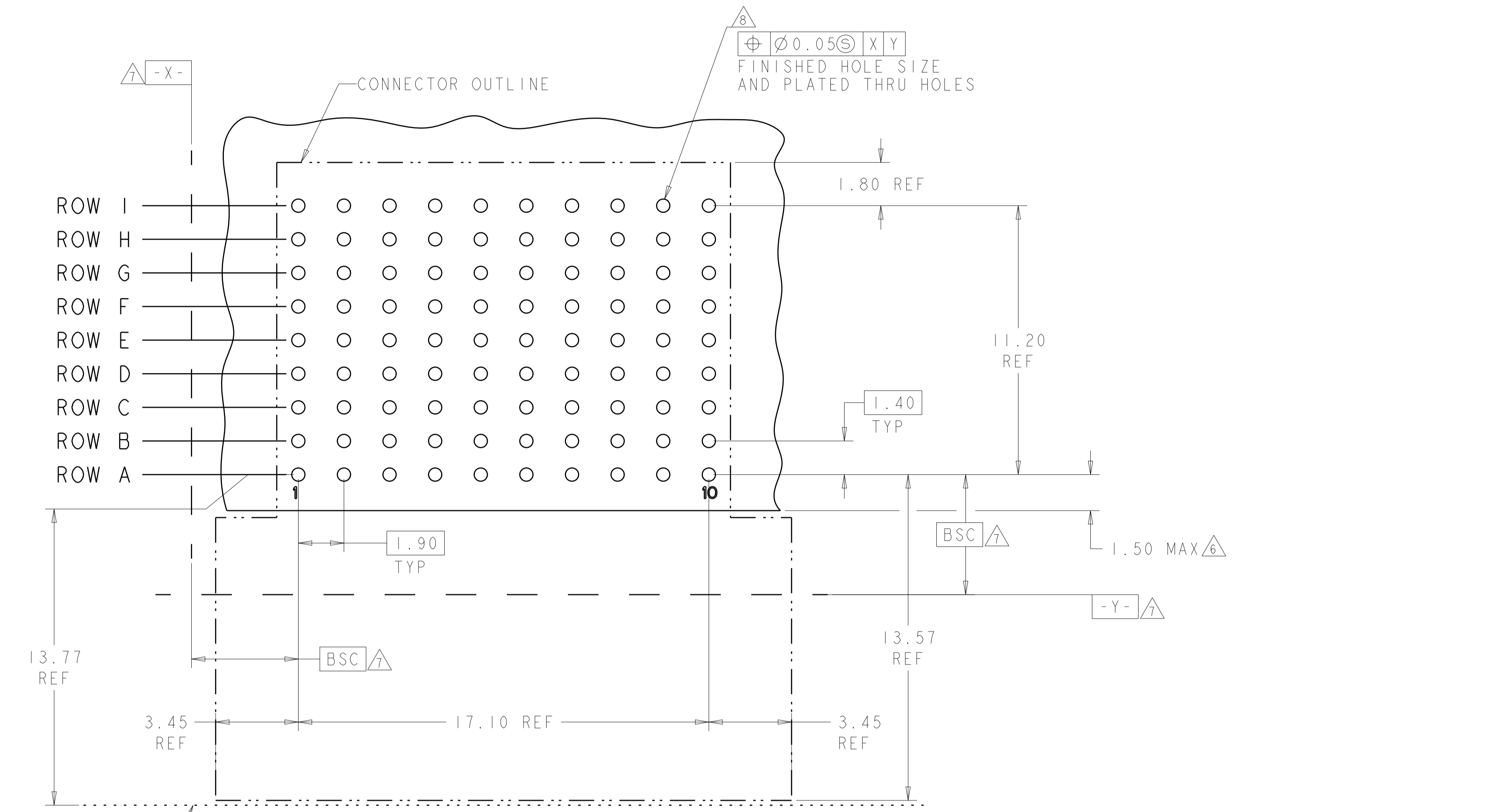
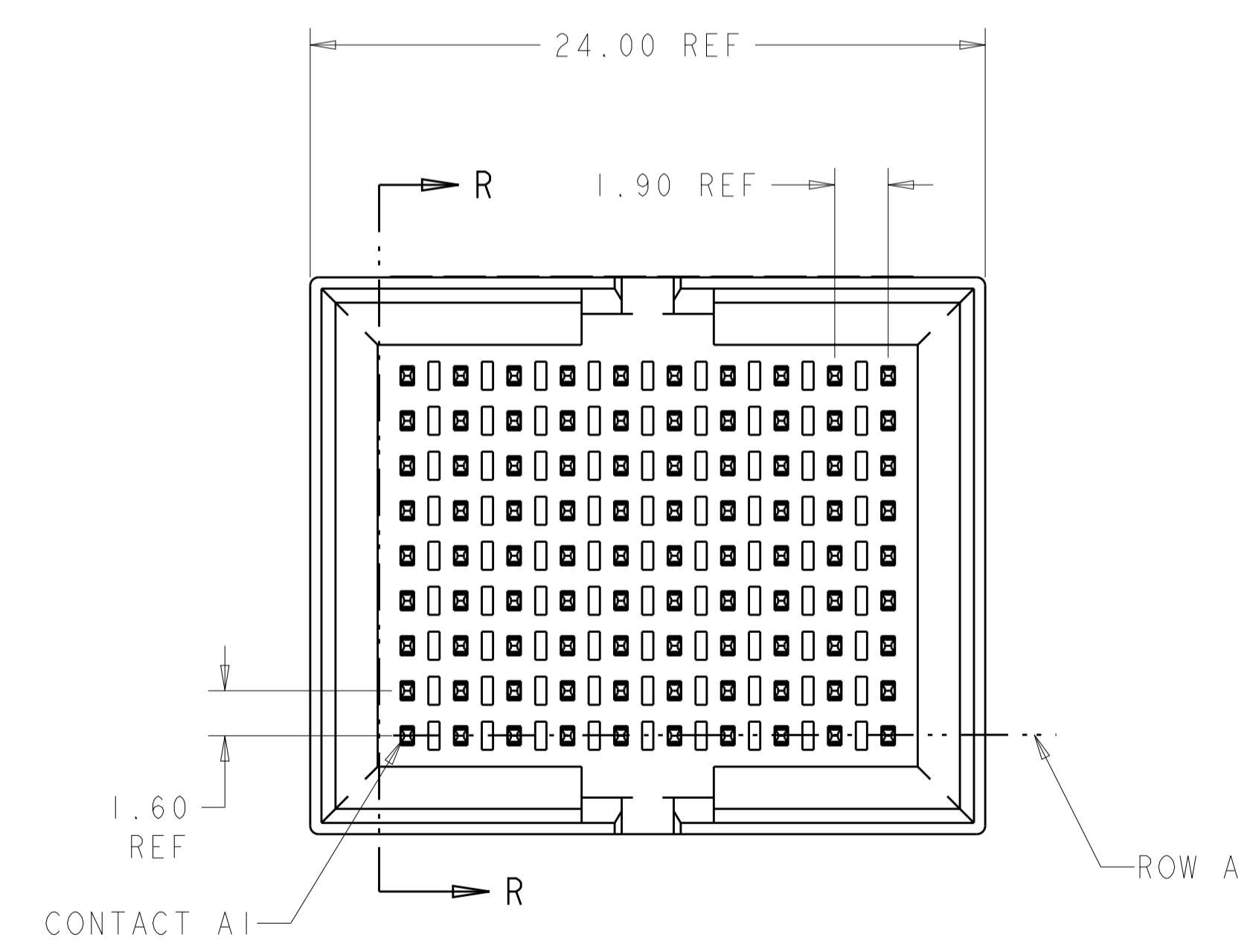
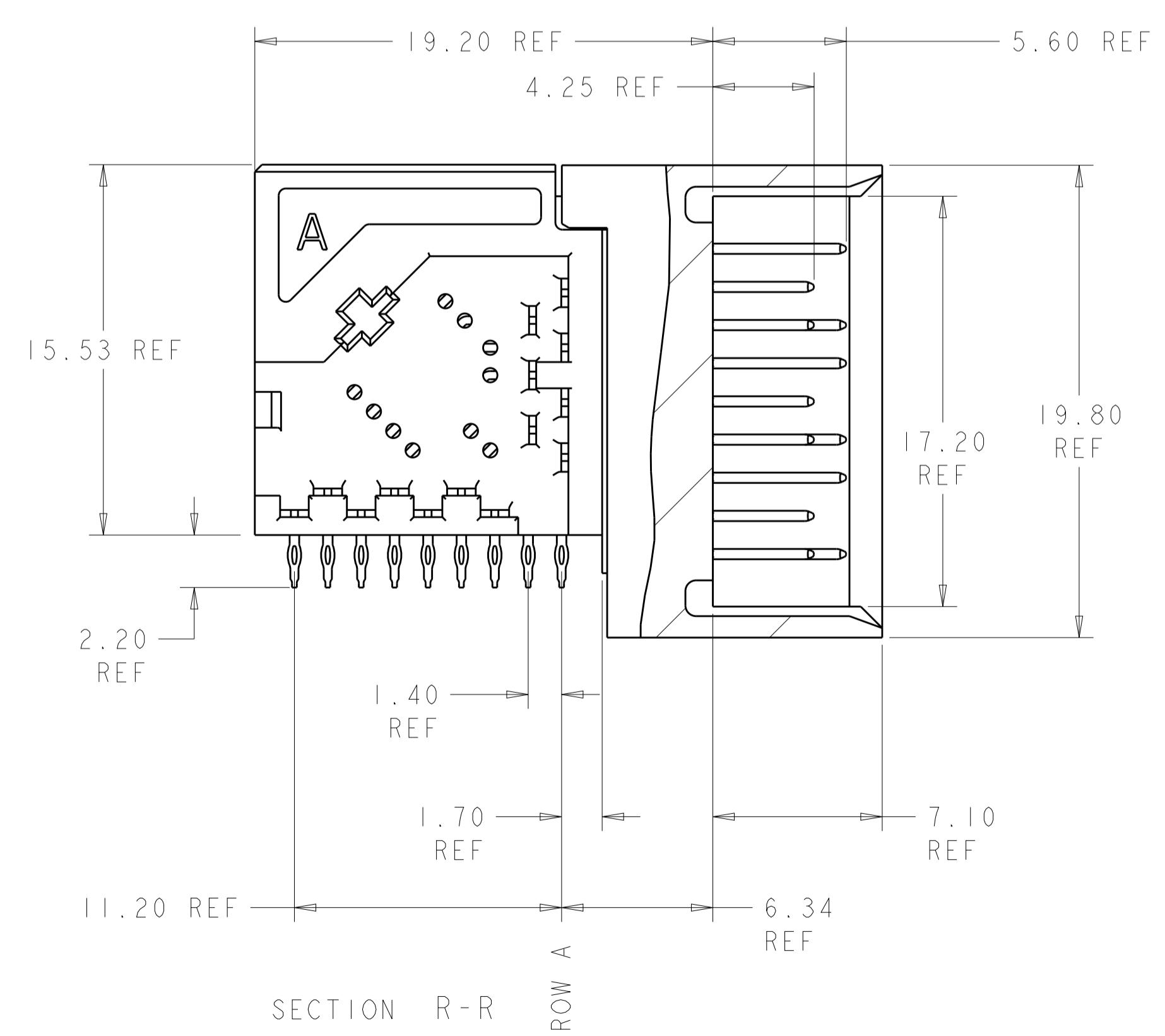


LOC	DIST	REV	DATE	BY	CHK	APPV
-	-	B	7-31-12	CT	DH	
-	-	C	24NOV14	MGM	CT	



- TOP OF MOTHER BOARD
- RECOMMENDED PC BOARD LAYOUT  
COMPONENT SIDE SHOWN  
SCALE 8:1
- 1 MATERIAL:  
CONTACT AND SHIELD: COPPER ALLOY  
HOUSING AND CHICKLET: LCP, COLOR: BLACK
  - 2 FINISH:  
CONTACT: MATING AREA: 1.27μm MIN GOLD OVER  
1.27μm MIN NICKEL
  - 3 FINISH:  
COMPLIANT PIN AREA: 0.38μm MIN BRIGHT TIN LEAD OVER  
1.27μm MIN NICKEL
  - 4 FINISH:  
COMPLIANT PIN AREA: 0.38μm MIN MATTE TIN OVER  
1.27μm MIN NICKEL
  - 5 --
  - 6 DIMENSION APPLIES TO CENTERLINE OF THRU HOLE.
  - 7 DATUMS AND BASIC DIMENSIONS ESTABLISHED BY CUSTOMER.
  - 8 REFERENCE APPLICATION SPEC 114-13267 FOR RECOMMENDED  
PLATED THRU HOLE DIAMETER AND PLATING THICKNESS.
  - 9 OBSOLETE.



2 4	2102318-2
2 3	2102318-1
FINISH	PART NUMBER

THIS DRAWING IS A CONTROLLED DOCUMENT.

DIMENSIONS:	TOLERANCES UNLESS OTHERWISE SPECIFIED:	DWN: D. BELACK 24JUN2009	CHK: A. TSANG 6-24-2009	APPV: M. McALONIS 6-24-2009
mm	0 PLC ±	NAME: Fortis Zd, 3-PAIR, 10-COLUMN, R/A, FULL SHROUD ASSEMBLY, SINGLE ENDED		
	1 PLC ±.13	PRODUCT SPEC: 108-2409		
	3 PLC ±.05	APPLICATION SPEC: 114-13267		
	4 PLC ±	SIZE: CAGE CODE: DRAWING NO: A100779C=2102318		
	ANGLES ±	RESTRICTED TO: -		
MATERIAL:	FINISH:	WEIGHT: ~12.33g	SCALE: 5:1 SHEET 1 OF 1 REV C	
		CUSTOMER DRAWING		

单击下面可查看定价，库存，交付和生命周期等信息

[>>TE Connectivity\(泰科\)](#)