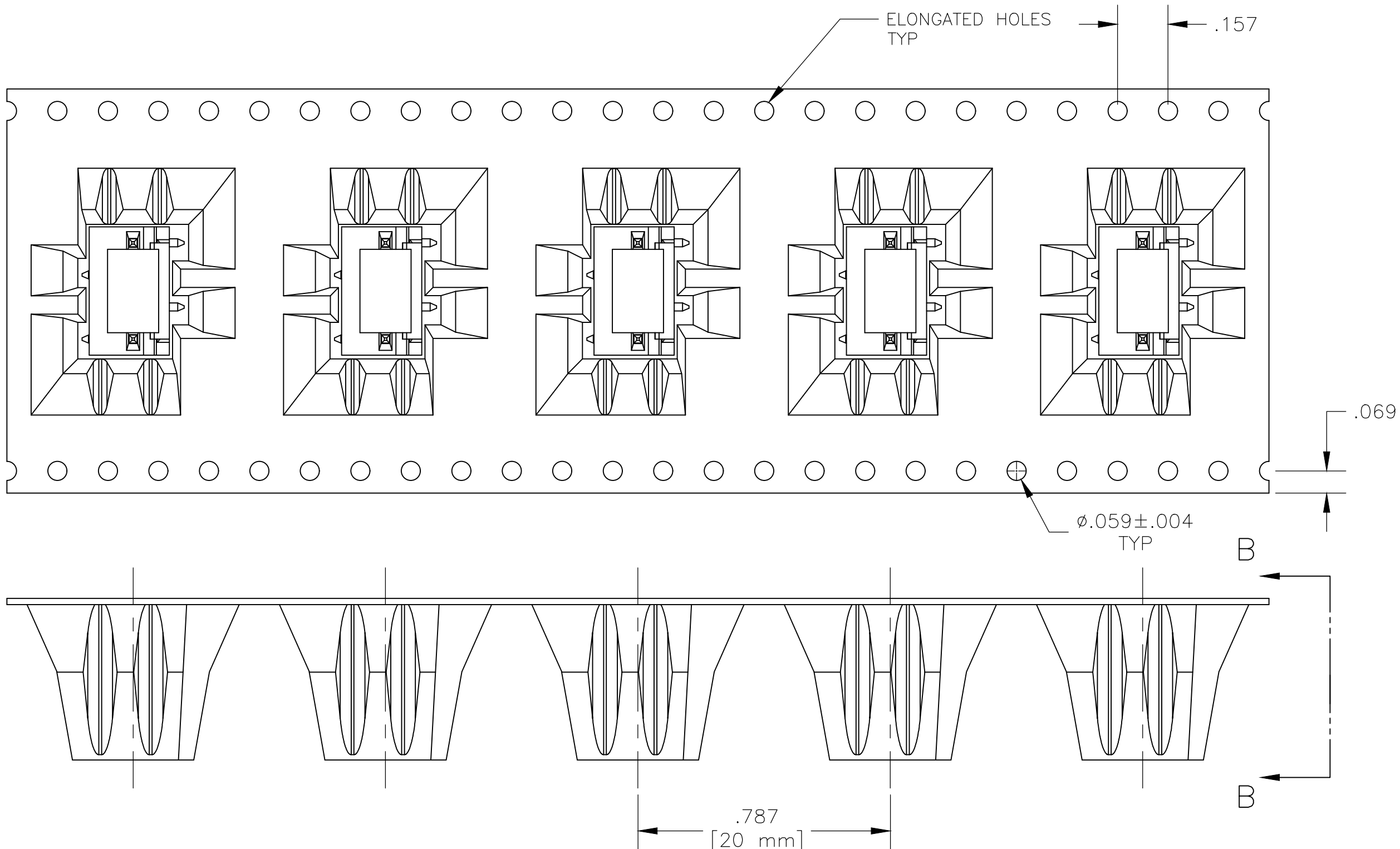
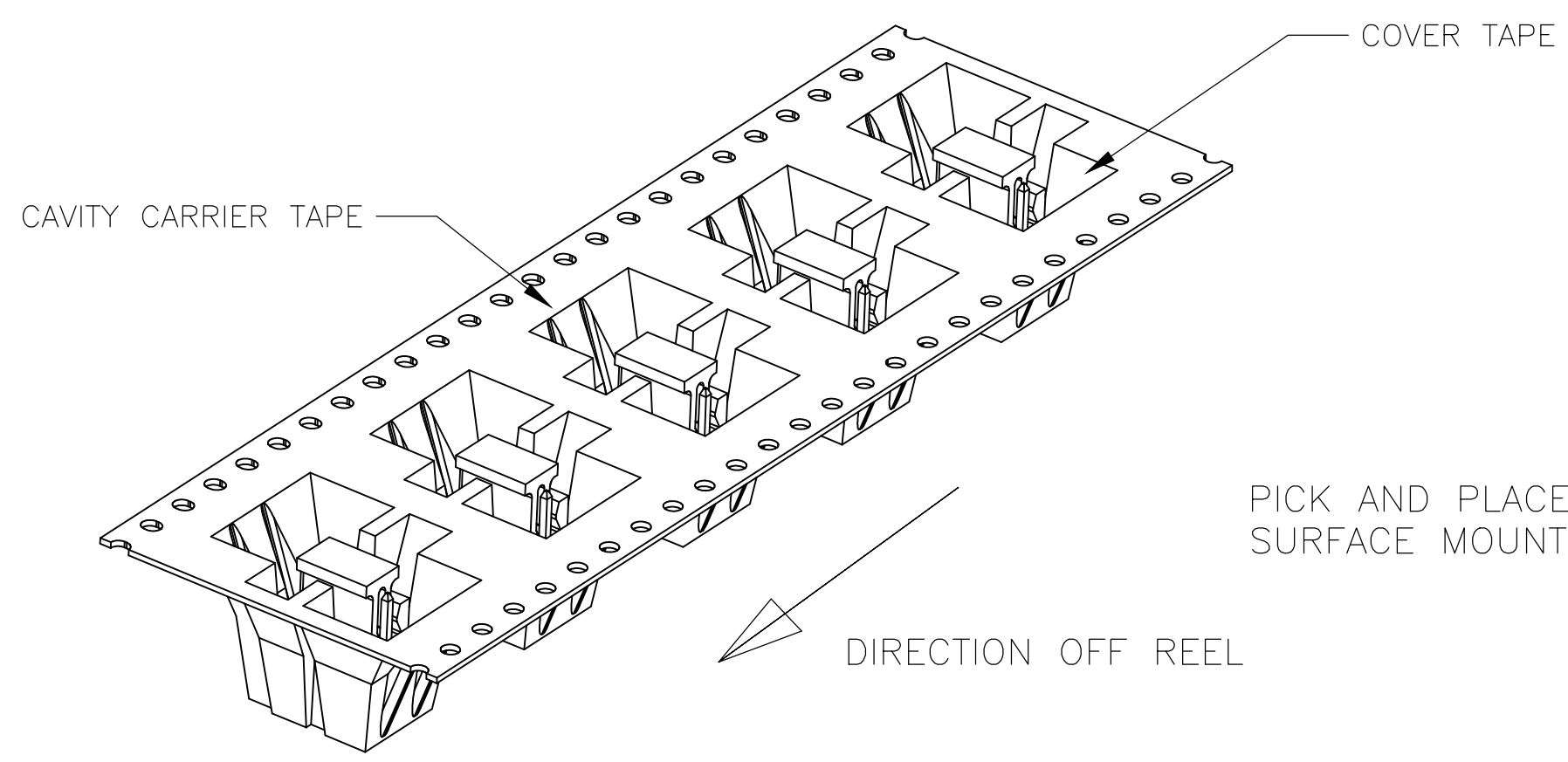
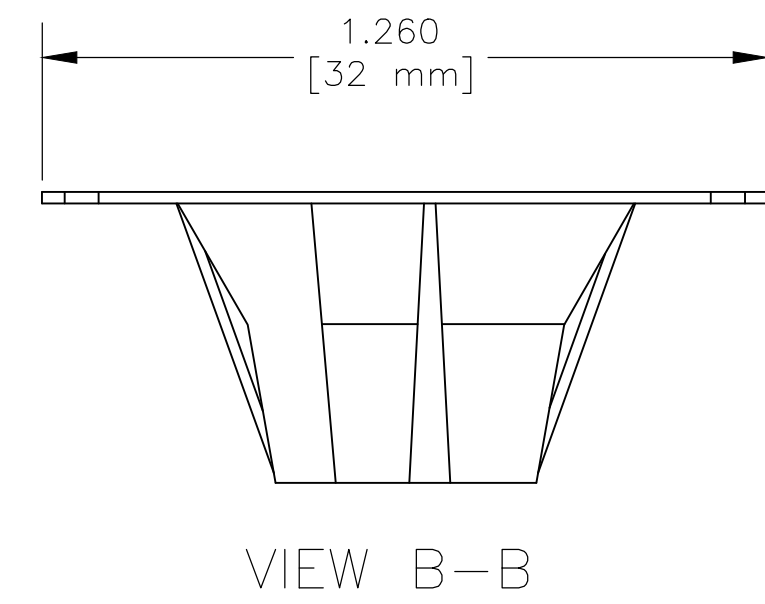


THIS DRAWING IS UNPUBLISHED. RELEASED FOR PUBLICATION
 © COPYRIGHT - By - ALL RIGHTS RESERVED.

LOC		DIST		REVISIONS			
P	LTR	DESCRIPTION	DATE	DWN	APVD		
AF	-	D2	REVISED PER ECR-18-004355	19JUN2018	BDA	SG	



- 1 MATERIAL:
HOUSING- NYLON, UL94V-0, BLACK
CONTACT- COPPER ALLOY
CAVITY CARRIER TAPE- BLACK CONDUCTIVE PLOYCARBONATE
- 2 FINISH:
CONTACT - TIN PLATE
- 3 POST TO WITHSTAND 13 NEWTONS [3 LBS] MIN AXIAL FORCE IN THIS DIRECTION WITHOUT DISLODGING, BEFORE SOLDERING.
- 4 POSTS SOLDERTAILS MUST COMPLY WITH TE SOLDERABILITY SPEC 109-11-2.
- 5 MEASURED AT [-A-]
- 6 APPLIES WHEN HEADER IS HELD STRAIGHT
- 7 COORDINATE DIM APPLIES FROM CENTER OF ACTUAL FEATURE.
- 8 DIMENSION APPLY TO THE COMPONENT SIDE OF BOARD
- 9 MAX TEMP EXPOSURE DURING REFLOW SOLDERING MAY NOT EXCEED 280°C [536°F].
- 10 HEADERS ARE SUPPLIED ON A 330.2mm [13] DIAMETER REEL WITH 225 PARTS PER REEL. THE CAVITY CARRIER TAPE HOLDS 1 PART PER POCKET, ORIENTED AS SHOWN.
- 11 TE LOGO, UL AND CSA TRADEMARKS MARKED AT THIS LOCATION



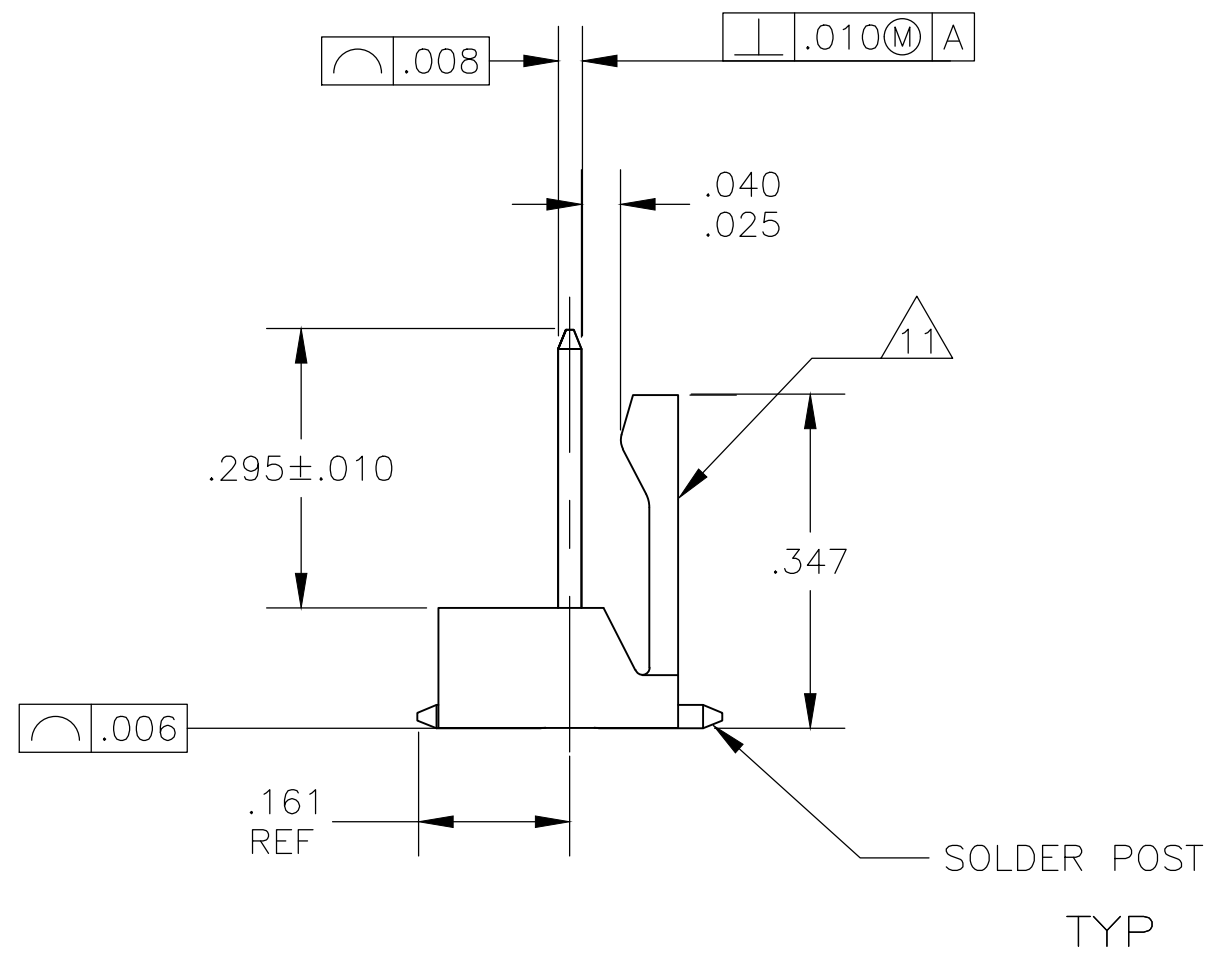
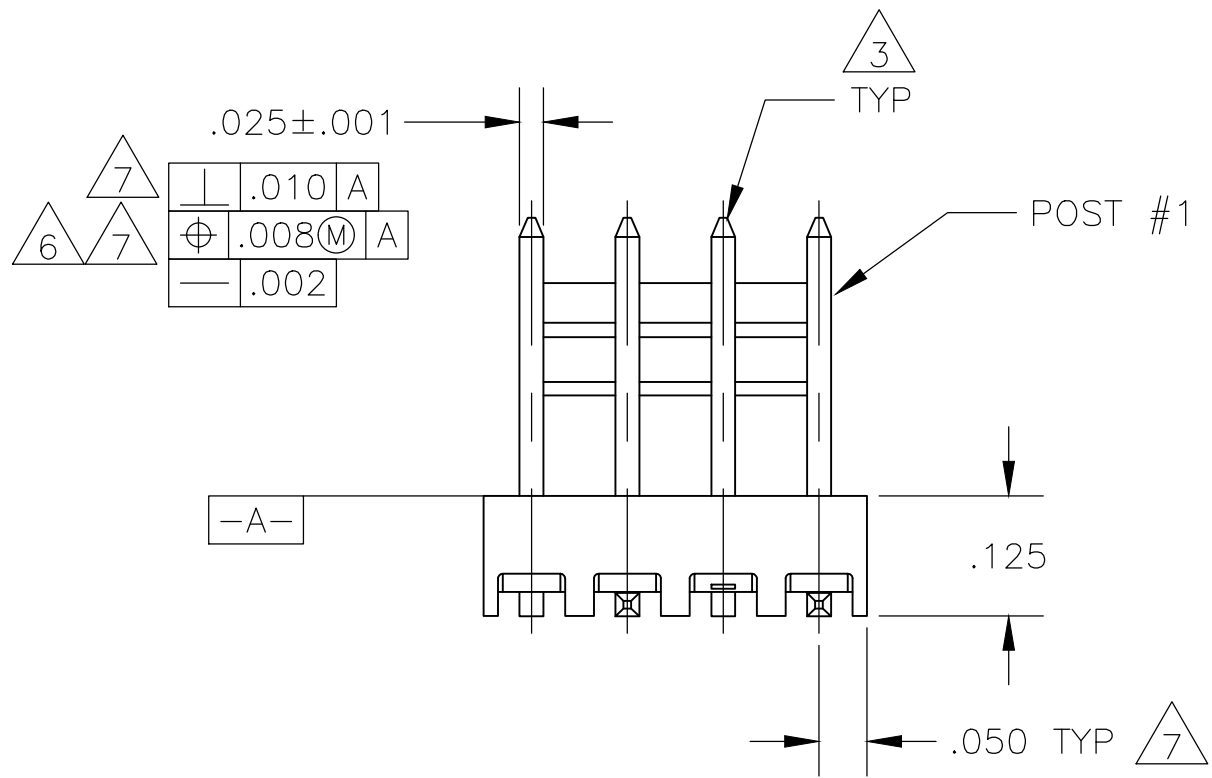
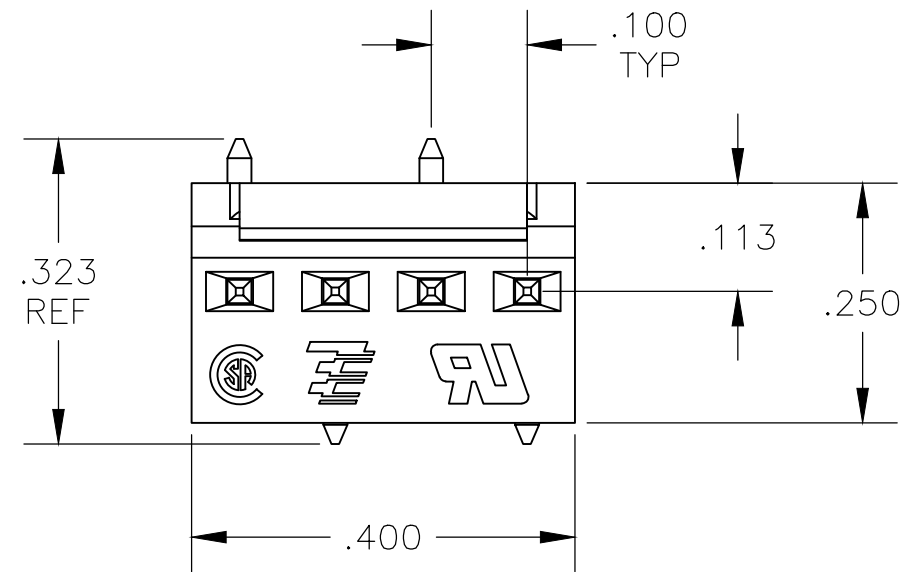
PICK AND PLACE COVER 147117-1
 SURFACE MOUNT HEADER 3-647168-4

1 REQ'D	1 REQ'D	4	3-1744400-4
PICK AND PLACE COVER	HEADER ASSEMBLY	NO. OF POSITIONS	PART NO

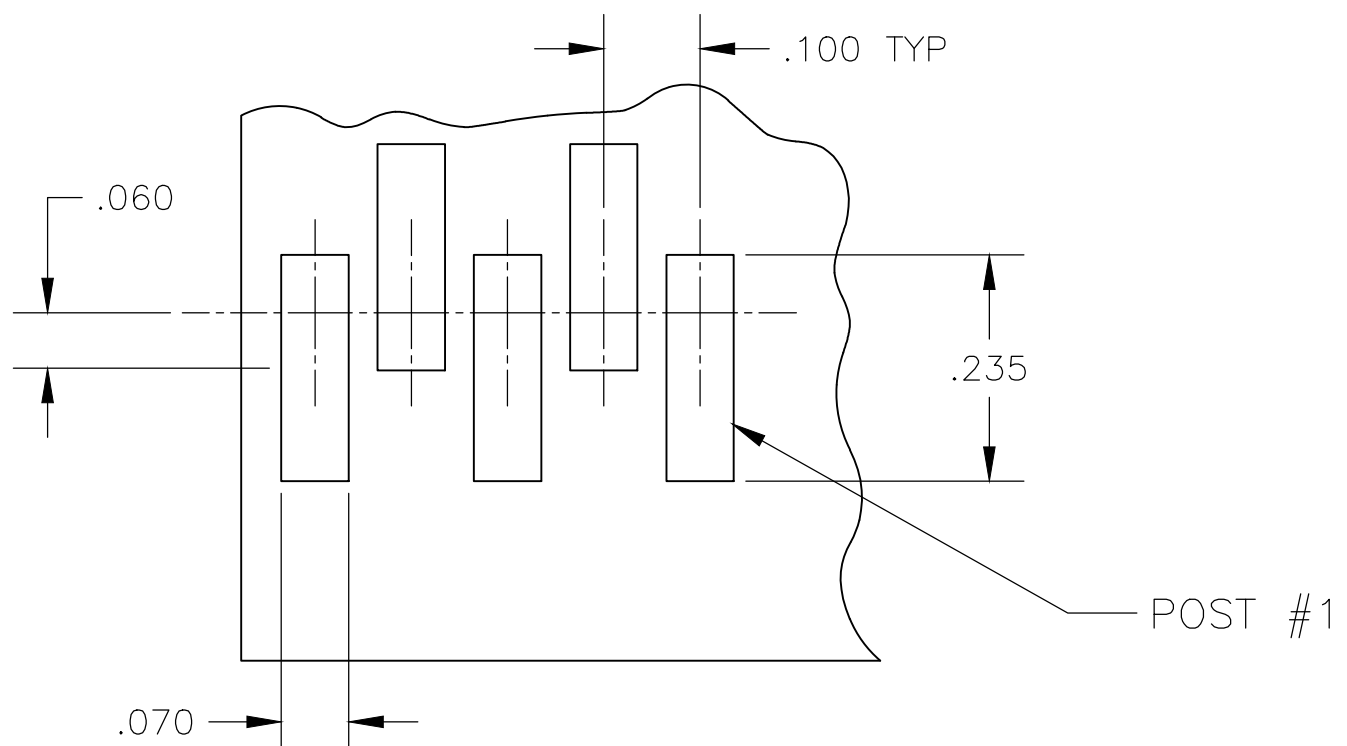
THIS DRAWING IS A CONTROLLED DOCUMENT.		DWN	jr_ruth	08JUN11		TE Connectivity		
DIMENSIONS: INCHES		CHK	SAM_MACE	08JUN11		NAME		
TOLERANCES UNLESS OTHERWISE SPECIFIED:		APVD	SAM_MACE	08JUN11		PRODUCT SPEC		
0 PLC ± - 1 PLC ± - 2 PLC ± - 3 PLC ± .015 4 PLC ± - ANGLES ± 1°		APPLICATION SPEC		MTA-100 HEADER ASSY, SURFACE MOUNT, FRICTION LOCK, .025 SQ. POST, 030 GOLD PLATED, TAPE LOADED W/CAP				
MATERIAL	FINISH	WEIGHT	A2 00779		SIZE	CAGE CODE	DRAWING NO	RESTRICTED TO
-	-	-	CUSTOMER DRAWING		SCALE	3:1	SHEET	1 of 3
				REV	D2			

THIS DRAWING IS UNPUBLISHED. RELEASED FOR PUBLICATION
 © COPYRIGHT - By - ALL RIGHTS RESERVED.

LOC	DIST	REVISIONS			
P	LTR	DESCRIPTION	DATE	DWN	APVD
AF	-	SEE SHEET 1	-	-	-



MTA-100 HEADER SHOWN



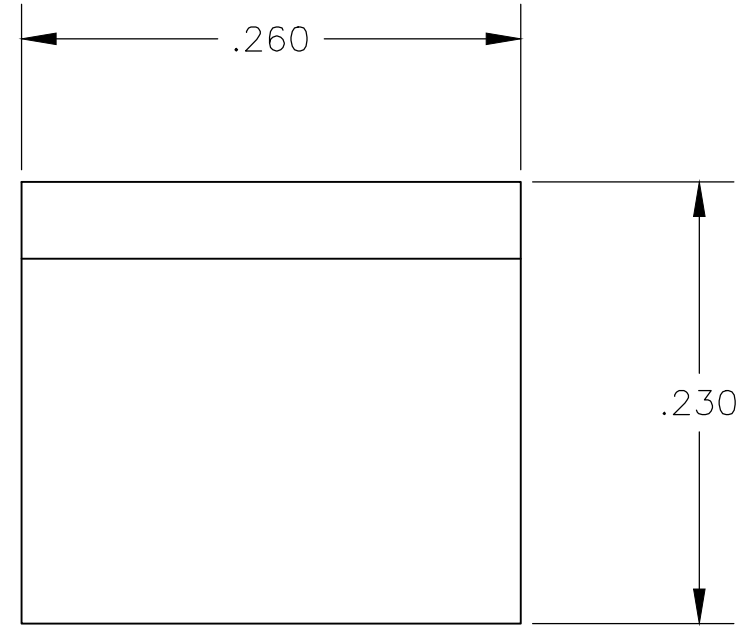
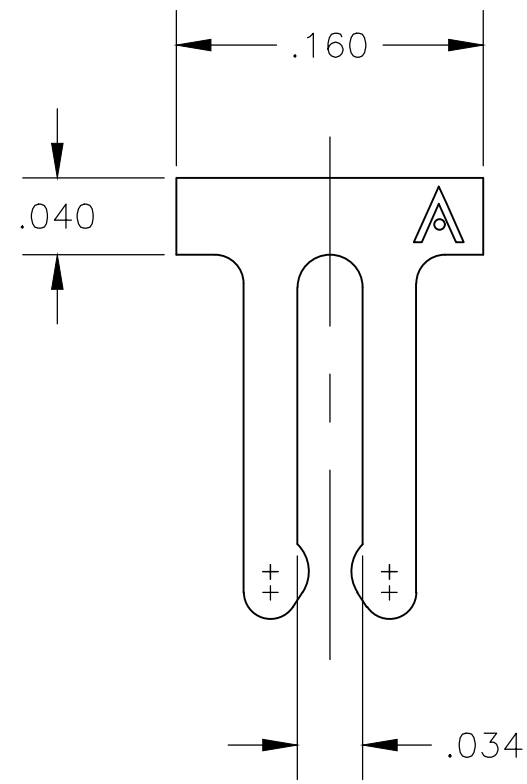
RECOMMENDED P.C. BOARD LAYOUT FOR USE WITH .010 THICK STENCIL

THIS DRAWING IS A CONTROLLED DOCUMENT.		DWN	jr ruth	08JUN11		TE Connectivity		
DIMENSIONS: INCHES		CHK	SAM MACE	08JUN11		NAME		
TOLERANCES UNLESS OTHERWISE SPECIFIED:		APVD	SAM MACE	08JUN11		MTA-100 HEADER ASSY, SURFACE MOUNT, FRICTION LOCK, .025 SQ. POST, 030 GOLD PLATED, TAPE LOADED W/CAP		
0 PLC ± - 1 PLC ± - 2 PLC ± - 3 PLC ± .015 4 PLC ± - ANGLES ± 1°		PRODUCT SPEC		SIZE		CAGE CODE	DRAWING NO	RESTRICTED TO
MATERIAL		FINISH		WEIGHT	A2 00779		C=1744400	-
CUSTOMER DRAWING				SCALE	5:1	SHEET	2 of 3	REV D2

1744400

THIS DRAWING IS UNPUBLISHED. RELEASED FOR PUBLICATION
 © COPYRIGHT - By - ALL RIGHTS RESERVED.

LOC		DIST		REVISIONS			
P	LTR	DESCRIPTION	DATE	DWN	APVD		
-	-	SEE SHEET 1	-	-	-		



CAP FOR HEADER

THIS DRAWING IS A CONTROLLED DOCUMENT.		DWN	jr ruth	08JUN11	 TE Connectivity
DIMENSIONS: INCHES		CHK	SAM MACE	08JUN11	
TOLERANCES UNLESS OTHERWISE SPECIFIED:		APVD	SAM MACE	08JUN11	
0 PLC ± - 1 PLC ± - 2 PLC ± - 3 PLC ± .015 4 PLC ± - ANGLES ± 1°		PRODUCT SPEC	NAME		
MATERIAL		APPLICATION SPEC		MTA-100 HEADER ASSY, SURFACE MOUNT, FRICTION LOCK, .025 SQ. POST, 030 GOLD PLATED, TAPE LOADED W/CAP	
FINISH		WEIGHT	A2 00779 C=1744400		RESTRICTED TO
		CUSTOMER DRAWING		SCALE 10:1	SHEET 3 OF 3
				REV D2	

1744400

单击下面可查看定价，库存，交付和生命周期等信息

[>>TE Connectivity\(泰科\)](#)