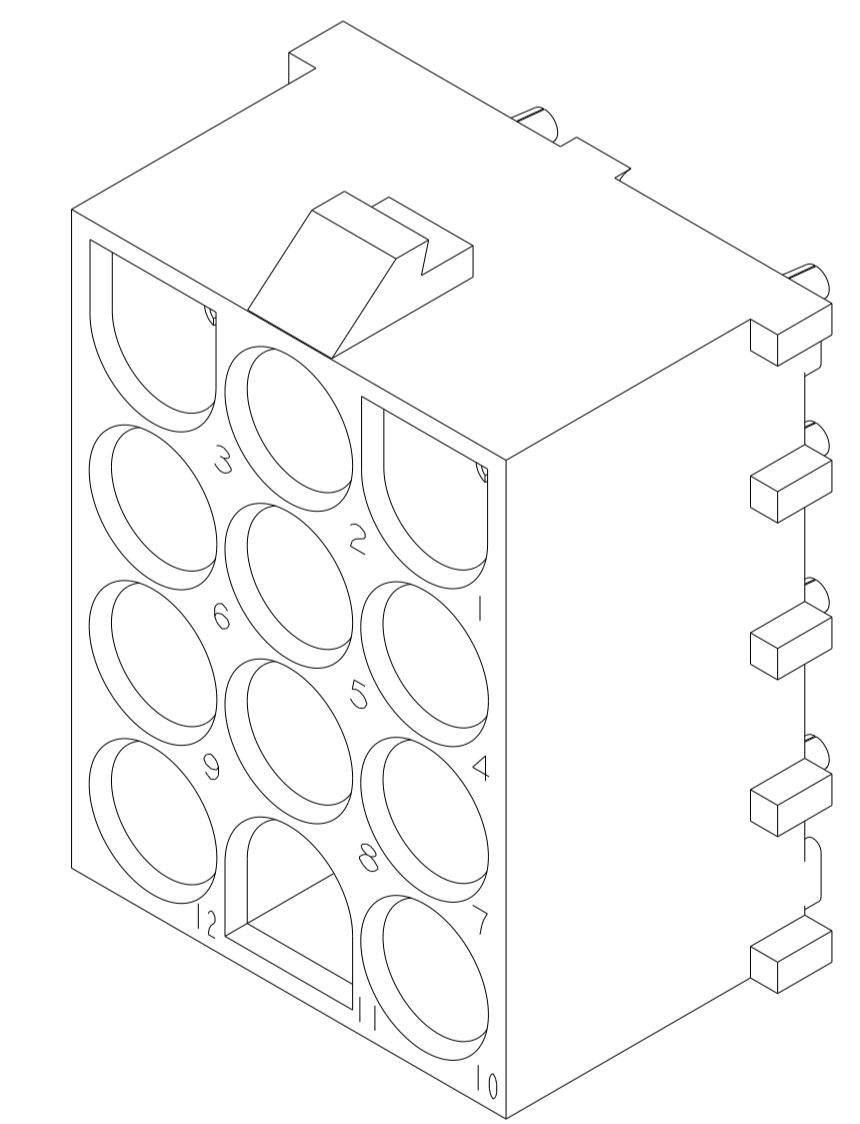
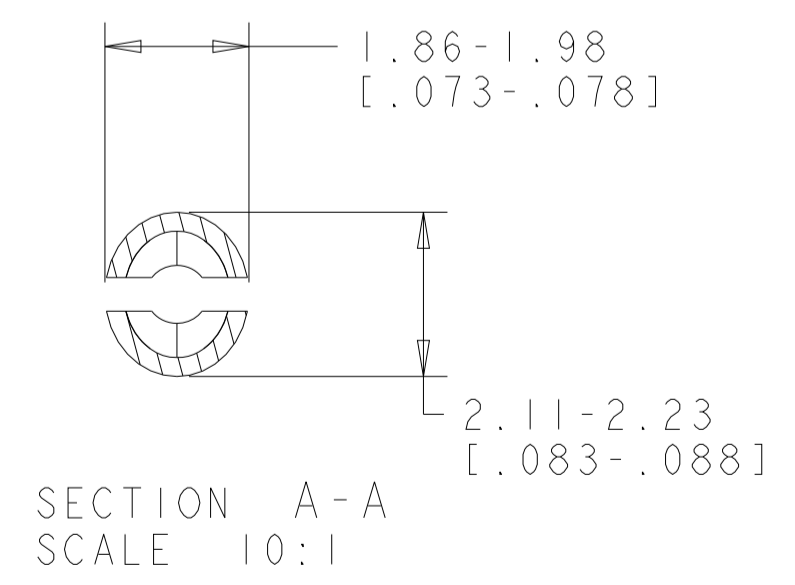
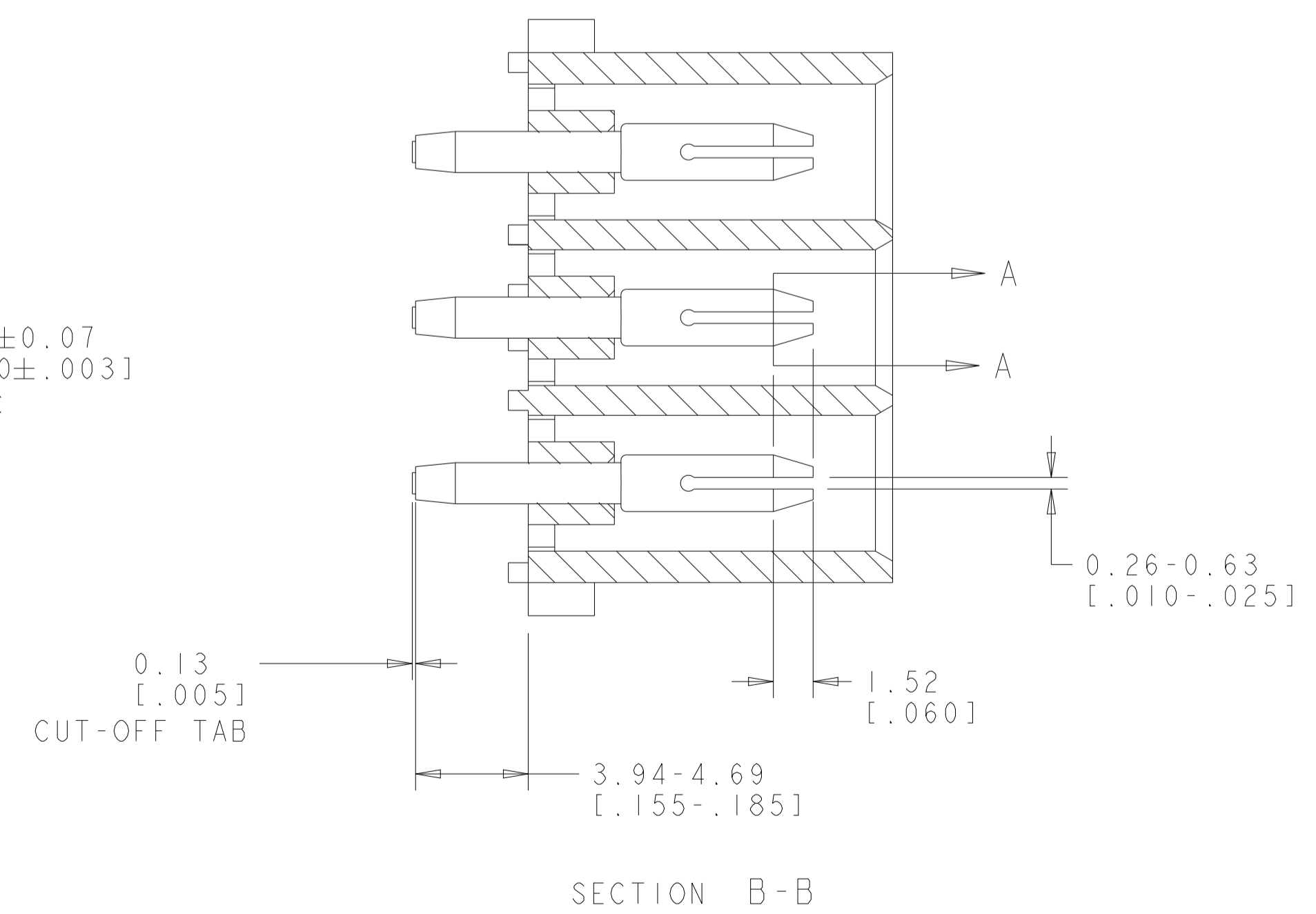
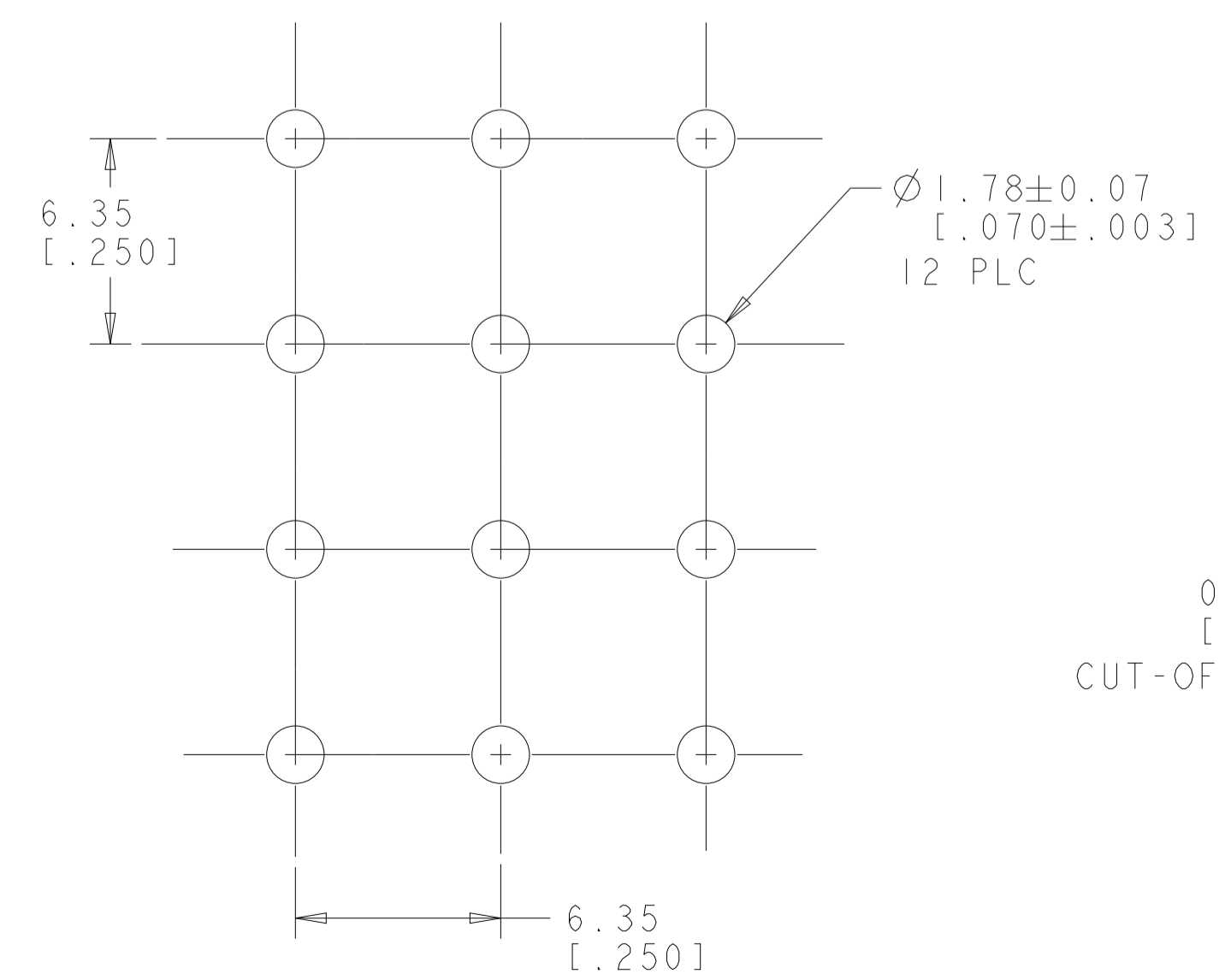
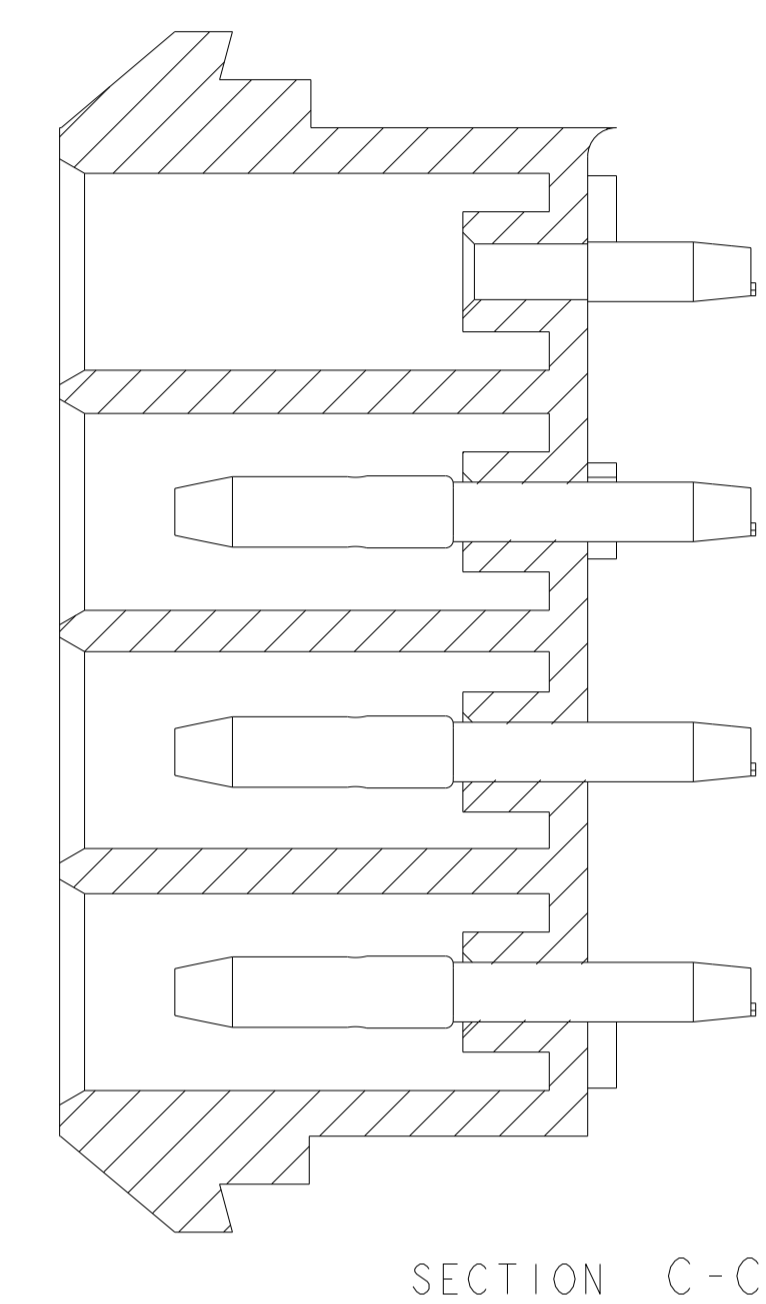
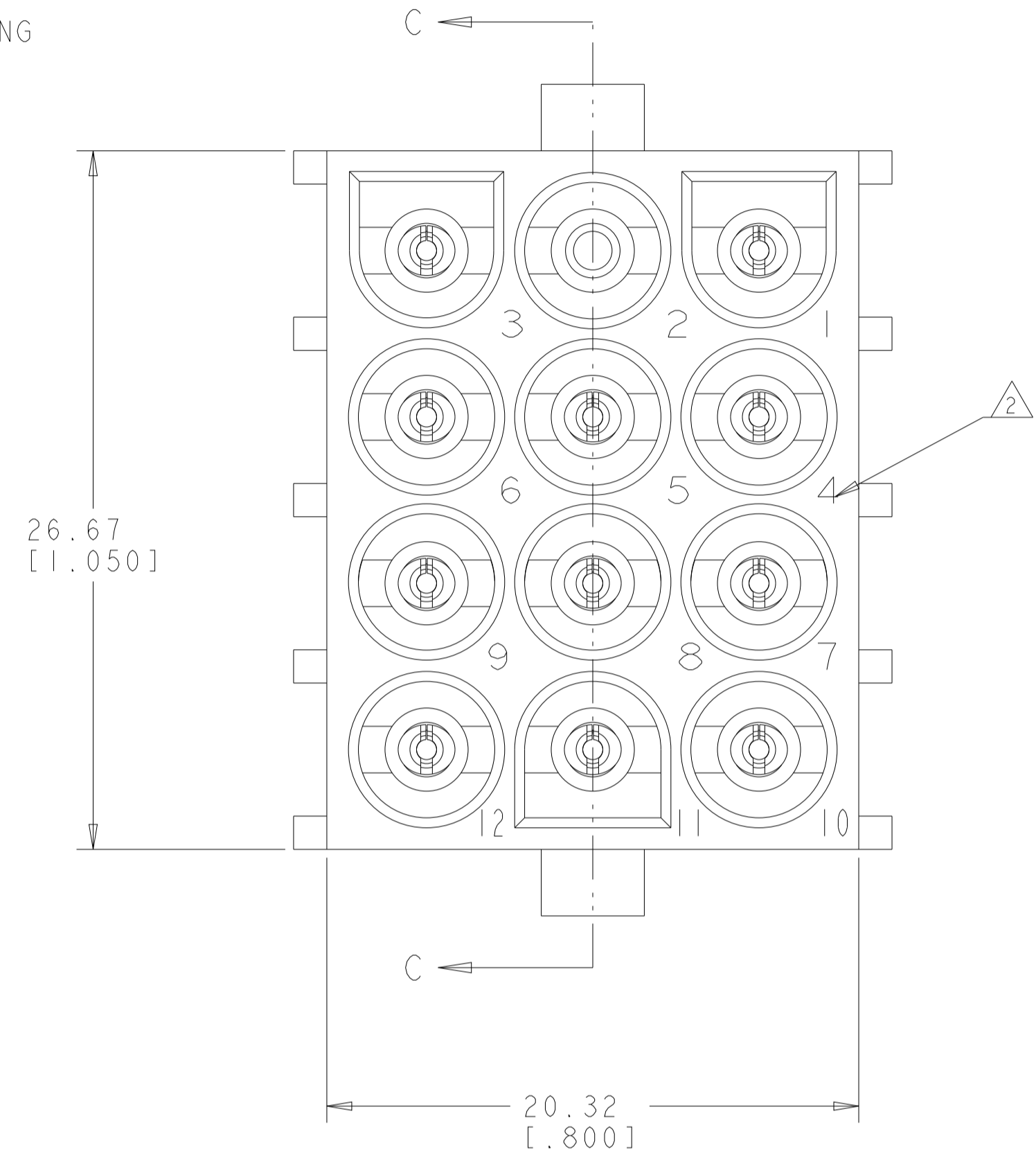
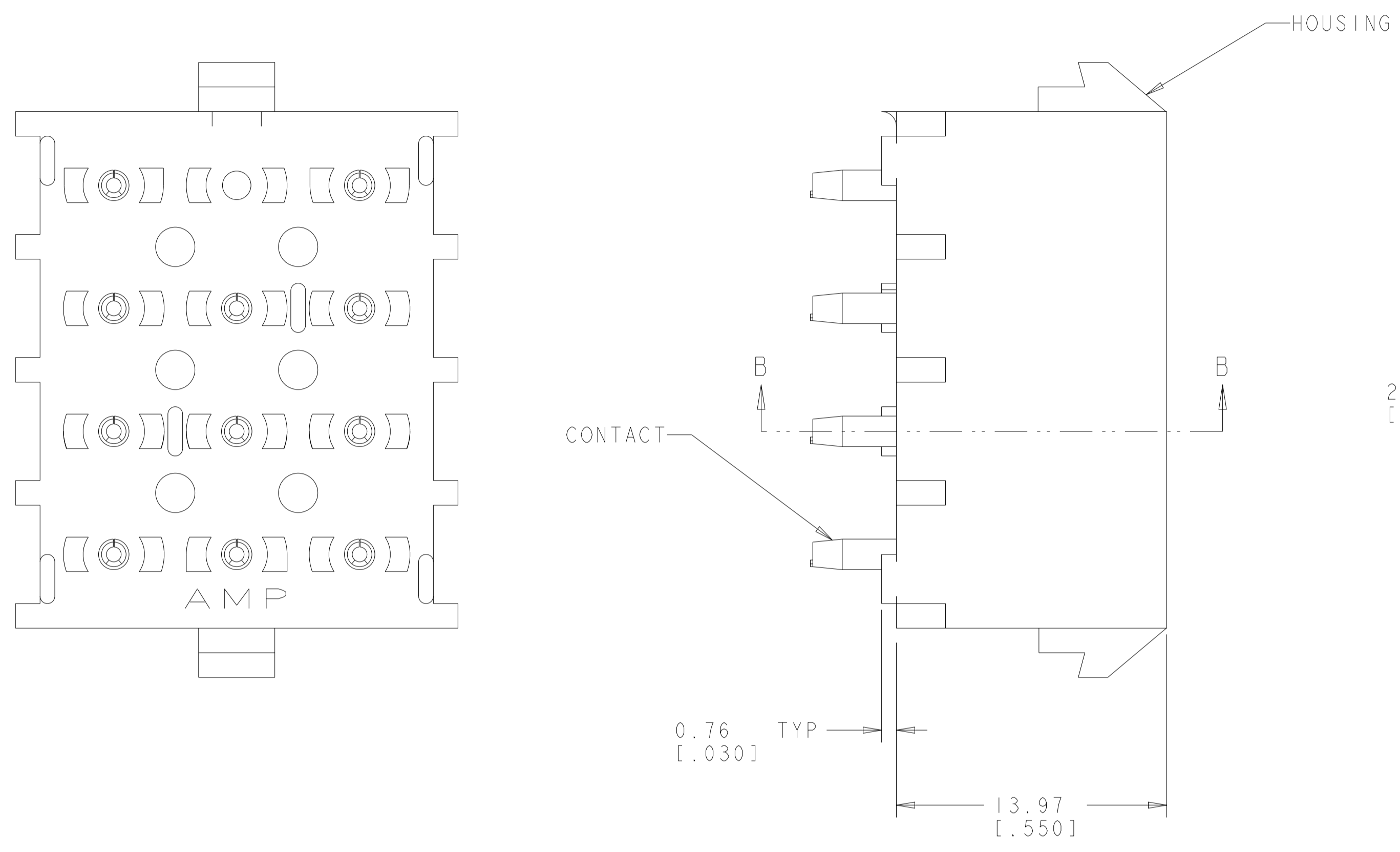


LOC		DIST		REVISIONS			
CM	00	P	LTN	DESCRIPTION	DATE	DWN	APVD
		A		RELEASED PER WR-05-27	04MAY05	KW	SR
		A1		REVISED PER ECR-21-119230	05NOV2021	SS	VS

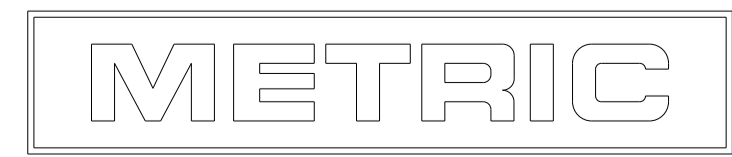
- PARTS COMPLY TO AMP SOLDERABILITY SPECIFICATION 109-11-3.
- CIRCUIT IDENTIFICATION CHARACTERS ARE ADJACENT TO THE INDICATED CAVITIES, BUT LOCATION AND ORIENTATION MAY DIFFER FROM PRINT.
- DIMENSIONS IN BRACKETS ARE IN INCHES.
- DIMENSIONS SHOWN REPRESENT PRODUCT IN DRY CONDITION. ADDITIONAL 2% GROWTH DUE TO END USE LOCATION MOISTURE ABSORPTION MAY OCCUR AND SHOULD BE ACCOUNTED FOR.



1586681-2 SHOWN

PIN NO	OMITTED	PIN CONTACT MATERIAL AND FINISH	HOUSING MATERIAL AND COLOR	PART NUMBER
12		PHOSPOR BRONZE, PRE-TIN	NYLON, UL94V-0, WHITE	1-1586681-2
8		PHOSPOR BRONZE, PRE-TIN	NYLON, UL94V-0, WHITE	1586681-8
4		PHOSPOR BRONZE, PRE-TIN	NYLON, UL94V-0, WHITE	1586681-4
2		PHOSPOR BRONZE, PRE-TIN	NYLON, UL94V-0, WHITE	1586681-2

RECOMMENDED MOUNTING HOLE PATTERN FOR 1.57 [.062] THICK P.C. BOARD HOLE THAT CORRESPONDS TO REMOVED CONTACT CAN BE OMITTED



DIMENSIONS: mm [INCHES] TOLERANCES UNLESS OTHERWISE SPECIFIED: 0 PLC ±. 1 PLC ±. 2 PLC ±0.13 [.005] 3 PLC ±. 4 PLC ±. ANGLES ±0°30'		DWN: K. WHITAKER CHK: S. RIDGILL APVD: S. RIDGILL NAME: S. RIDGILL PRODUCT SPEC: APPLICATION SPEC: WEIGHT: - FINISH: SEE TABLE		04MAY2005 04MAY2005 04MAY2005 NAME: PIN HEADER ASSEMBLY, 12 CIRCUIT, SELECTIVELY LOADED, UNIVERSAL MATE-N-LOK(TM) SIZE: A1 CAGE CODE: 00779 DRAWING NO: 1586681 RESTRICTED TO: - SCALE: 5:1 SHEET: 1 OF 1 REV: A1	
--	--	---	--	---	--

单击下面可查看定价，库存，交付和生命周期等信息

[>>TE Connectivity\(泰科\)](#)