

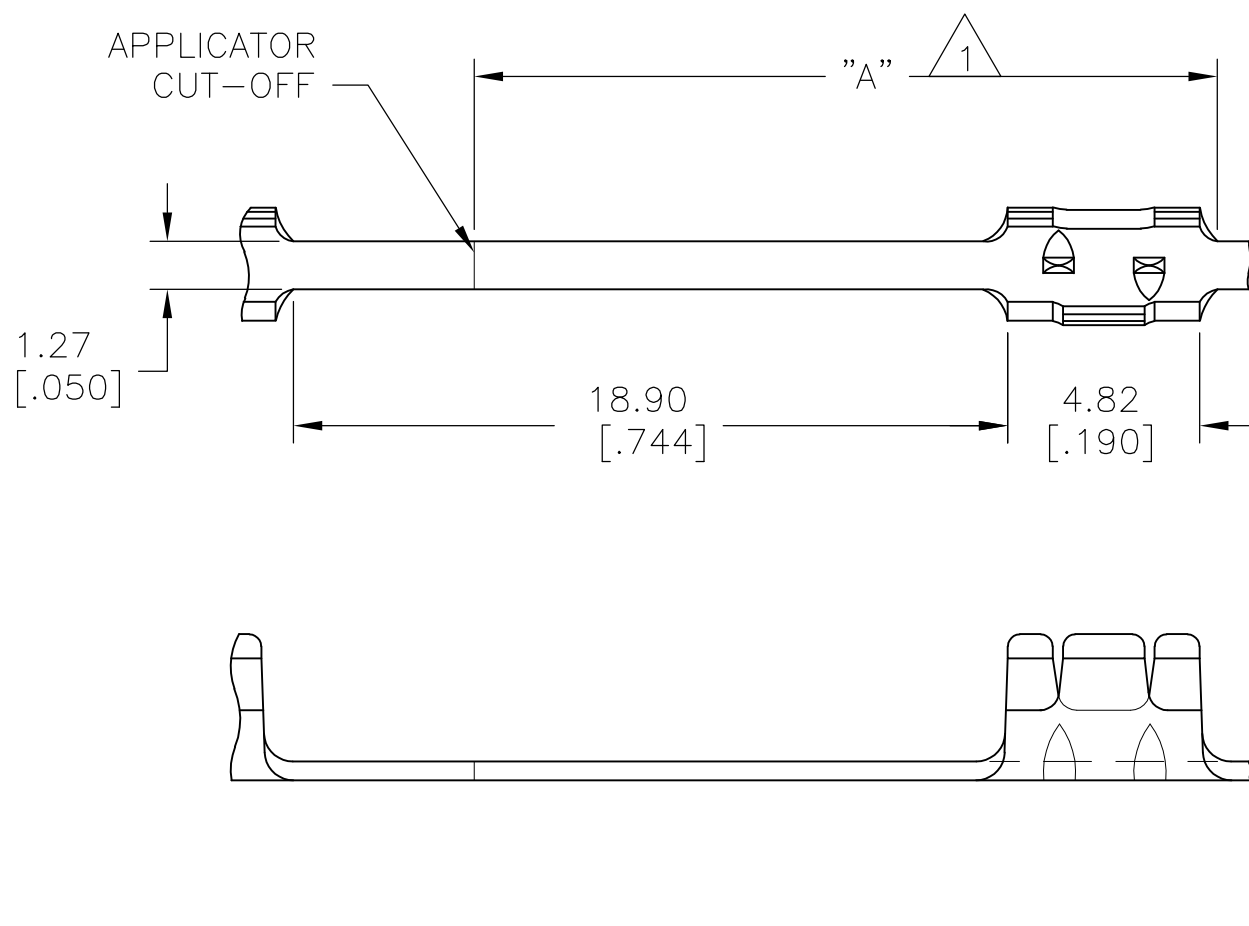
THIS DRAWING IS UNPUBLISHED. RELEASED FOR PUBLICATION
 © COPYRIGHT BY TYCO ELECTRONICS CORPORATION. ALL INTERNATIONAL RIGHTS RESERVED.

LOC	DIST	REVISIONS			
P	LTR	DESCRIPTION	DATE	DWN	APVD
AF	50	A1	REVISED PER ECO-09-022244	08OCT09	HMR MS

1 USE SLUG BLADE IN APPLICATOR AS FOLLOWS:

"A"	SLUG BLADE
14.68[.578]	9.19[.362]
21.90[.862]	1.98[.078]

- 2 WIRE SIZE 20-18 A.W.G.
- 3 INSULATION RANGE: .065-.080



61248-1
PART NO

THIS DRAWING IS A CONTROLLED DOCUMENT.		DWN RAGHAVENDRA 08OCT09	Tyco Electronics Corporation Harrisburg, PA 17105-3608		
DIMENSIONS: mm [INCHES]	TOLERANCES UNLESS OTHERWISE SPECIFIED:	CHK M STRECKEWALD 08OCT09	NAME		
	0 PLC ± -	APVD M STRECKEWALD 08OCT09	PRODUCT SPEC		
	1 PLC ± -		APPLICATION SPEC		
	2 PLC ± -		SIZE	CAGE CODE	DRAWING NO
	3 PLC ± 0.38[.015]		A3	00779	C-61248
	4 PLC ± -		RESTRICTED TO		
	ANGLES ± 1° 0'		SCALE 5:1 SHEET 1 OF 1 REV A1		
MATERIAL BRASS	FINISH TIN	WEIGHT -	CUSTOMER DRAWING		

单击下面可查看定价，库存，交付和生命周期等信息

[>>TE Connectivity\(泰科\)](#)