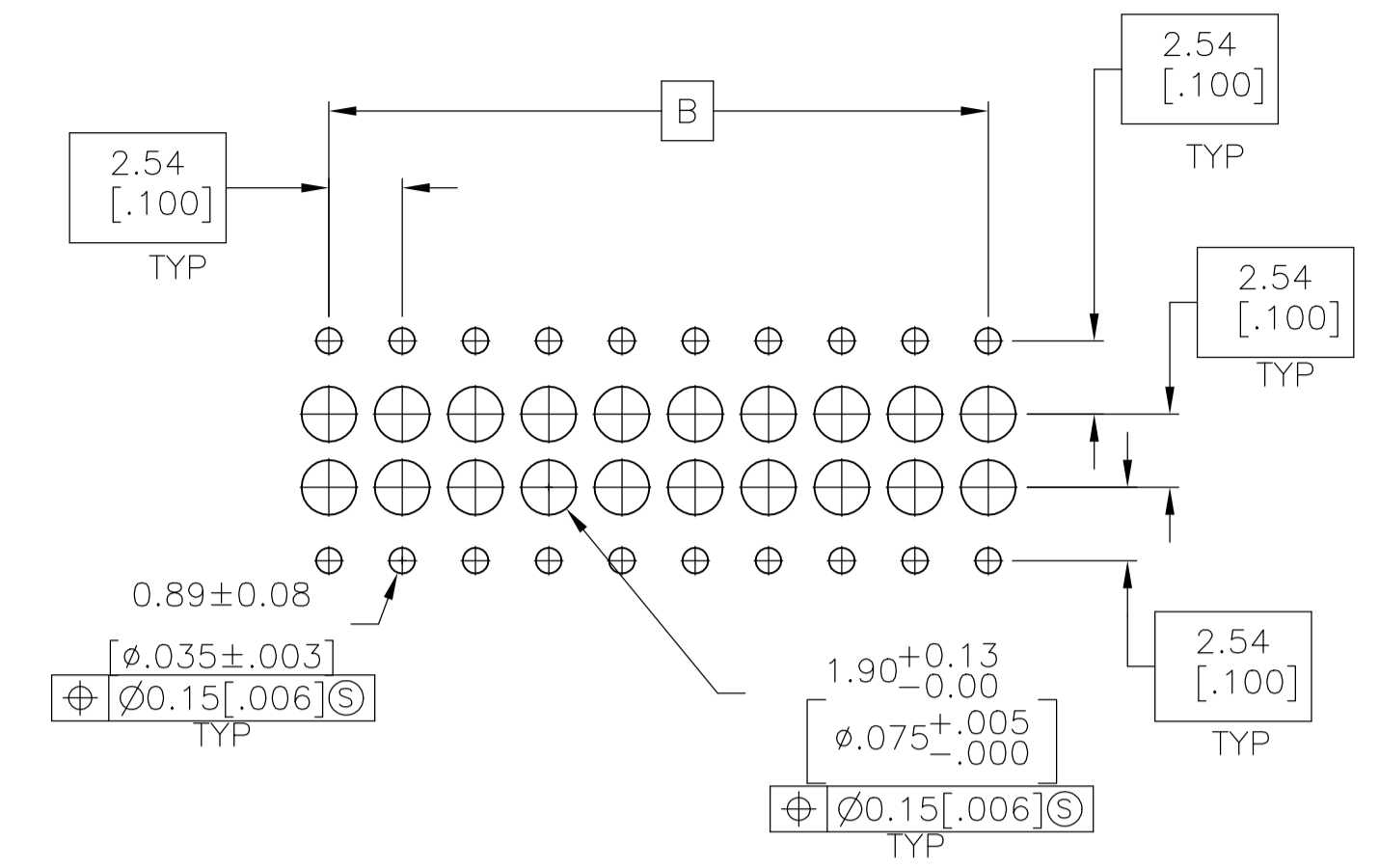
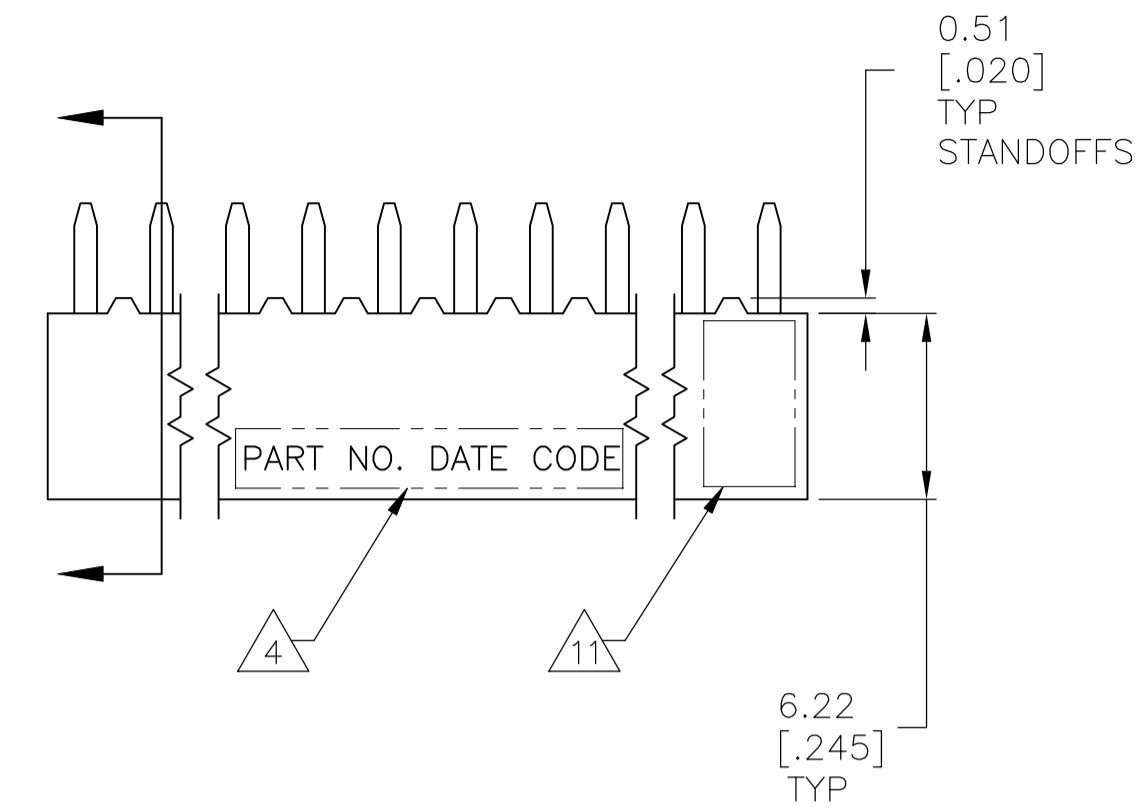
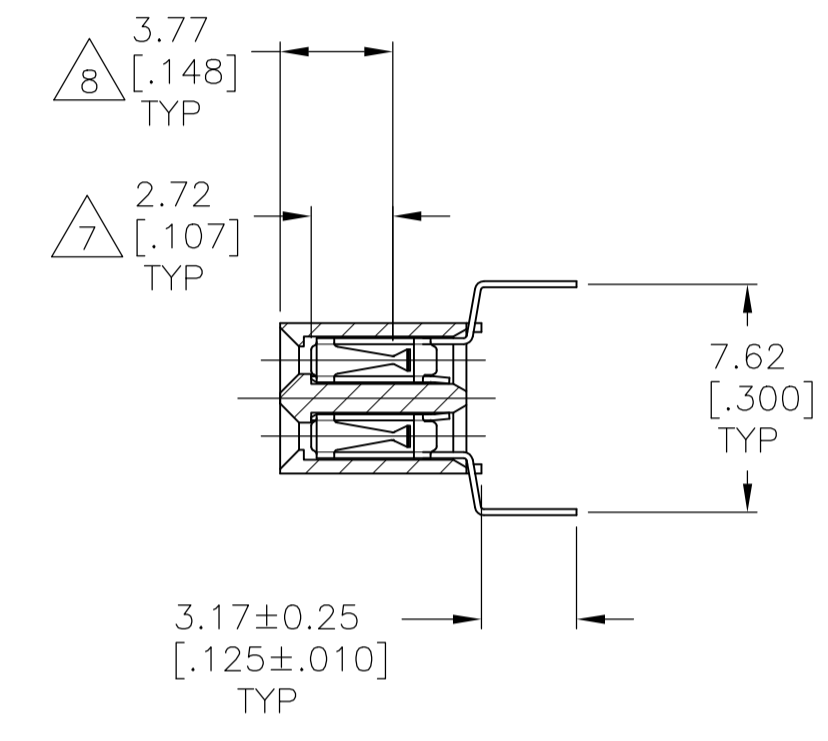
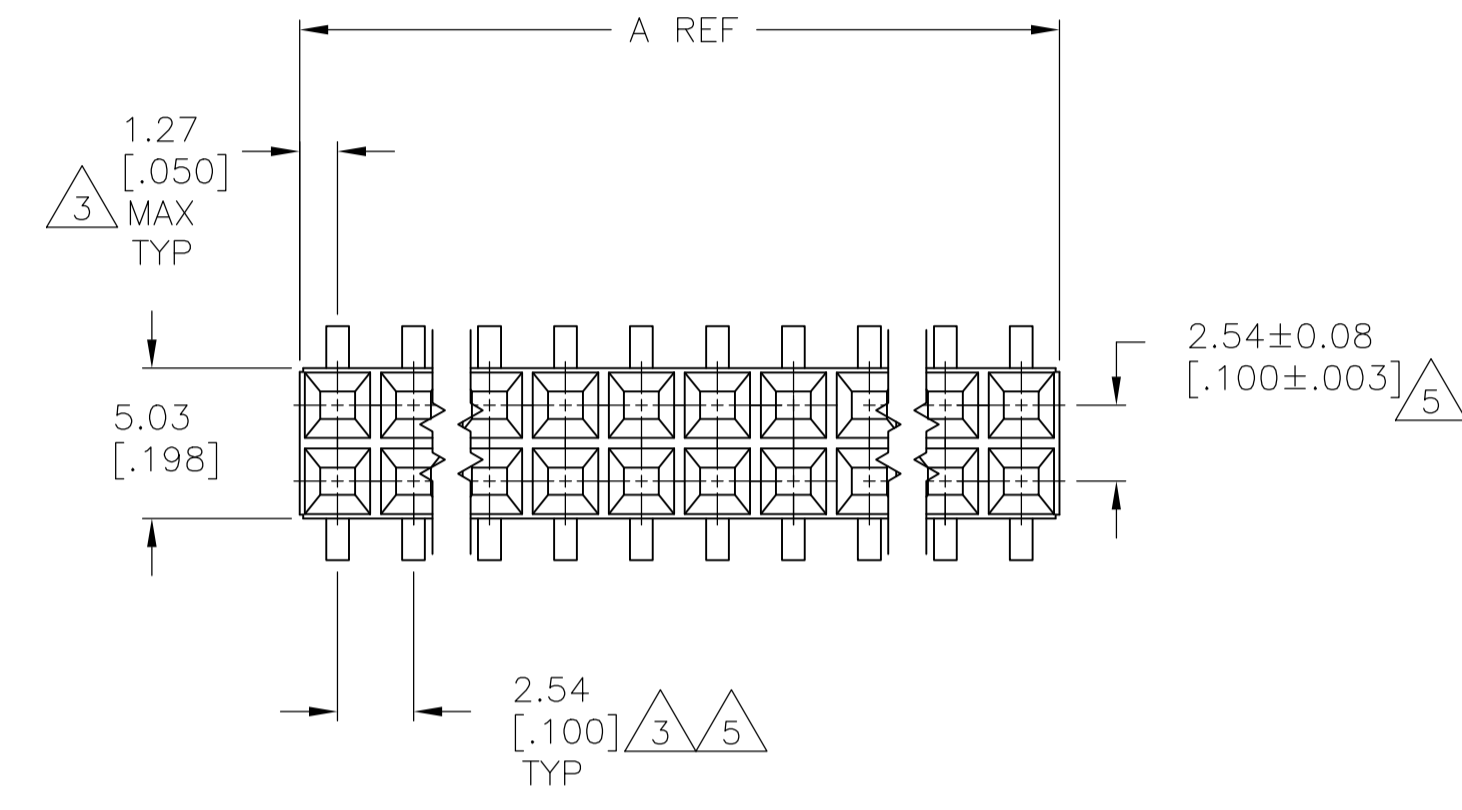


REVISIONS				
REV	DATE	BY	APPD	DESCRIPTION
K5	12JAN2018	SD	PS	ECR-16-016231



RECOMMENDED PC BOARD HOLE PATTERN  
PC BOARD THICKNESS 1.57[.062]



- 1 HOUSING: FLAME RETARDANT, GLASS FILLED, THERMOPLASTIC, COLOR: BLACK. CONTACT: PHOSPHOR BRONZE
- 2 CONTACT: 2.54-5.08μm[.000100-.000200] TIN-LEAD OVER 1.27μm[.000050] NICKEL.
- 3 THESE DIMENSIONS PERTAIN TO CAVITY CENTERLINES ONLY - NOT TO CONTACT LOCATIONS
- 4 MARK PART NUMBER AND DATE CODE IN APPROXIMATE LOCATION SHOWN, EITHER SIDE.
- 5 TOLERANCE IS NON-CUMULATIVE.
- 6 2 POSITION DATE CODE IS MARKED OPPOSITE SIDE OF TE LOGO.
- 7 POINT-OF-MEASUREMENT DIMENSION FOR PLATING THICKNESS (INSIDE CONTACT BEAM).
- 8 POINT-OF-CONTACT DIMENSION.
- 9 CONTACT: 3.81-7.62μm[.000150-.000300] TIN OVER 1.27μm[.000050] NICKEL.
- 10 ROHS 2002/95/EC COMPLIANT PART.
- 11 TE TRADEMARK AND CSA LOGO ARE MOLDED INTO HOUSING, THIS LOCATION.
- 12 NO PART NUMBER MARKING REQUIRED FOR THIS PART.

FINISH	B	A	NO OF POSN	PART NUMBER
	2.54[.100]	5.08[.200]	4	9-147100-0
		2.54[.100]	2	8-147100-9
	99.06[3.900]	101.60[4.000]	80	8-147100-8
	96.52[3.800]	99.06[3.900]	78	8-147100-7
	93.98[3.700]	96.52[3.800]	76	8-147100-6
	91.44[3.600]	93.98[3.700]	74	8-147100-5
	88.90[3.500]	91.44[3.600]	72	8-147100-4
	86.36[3.400]	88.90[3.500]	70	8-147100-3
	83.82[3.300]	86.36[3.400]	68	8-147100-2
	81.28[3.200]	83.82[3.300]	66	8-147100-1
	78.74[3.100]	81.28[3.200]	64	8-147100-0
	76.20[3.000]	78.74[3.100]	62	7-147100-9
	73.66[2.900]	76.20[3.000]	60	7-147100-8
	71.12[2.800]	73.66[2.900]	58	7-147100-7
	68.58[2.700]	71.12[2.800]	56	7-147100-6
	66.04[2.600]	68.58[2.700]	54	7-147100-5
	63.50[2.500]	66.04[2.600]	52	7-147100-4
	60.96[2.400]	63.50[2.500]	50	7-147100-3
	58.42[2.300]	60.96[2.400]	48	7-147100-2
	55.88[2.200]	58.42[2.300]	46	7-147100-1
	53.34[2.100]	55.88[2.200]	44	7-147100-0
	50.80[2.000]	53.34[2.100]	42	6-147100-9
	48.26[1.900]	50.80[2.000]	40	6-147100-8
	45.72[1.800]	48.26[1.900]	38	6-147100-7
	43.18[1.700]	45.72[1.800]	36	6-147100-6
	40.64[1.600]	43.18[1.700]	34	6-147100-5
	38.10[1.500]	40.64[1.600]	32	6-147100-4
	35.56[1.400]	38.10[1.500]	30	6-147100-3
	33.02[1.300]	35.56[1.400]	28	6-147100-2
	30.48[1.200]	33.02[1.300]	26	6-147100-1
	27.94[1.100]	30.48[1.200]	24	6-147100-0
	25.40[1.000]	27.94[1.100]	22	5-147100-9
	22.86[.900]	25.40[1.000]	20	5-147100-8
	20.32[.800]	22.86[.900]	18	5-147100-7
	17.78[.700]	20.32[.800]	16	5-147100-6
	15.24[.600]	17.78[.700]	14	5-147100-5
	12.70[.500]	15.24[.600]	12	5-147100-4
	10.16[.400]	12.70[.500]	10	5-147100-3
	7.62[.300]	10.16[.400]	8	5-147100-2
	5.08[.200]	7.62[.300]	6	5-147100-1

FINISH	B	A	NO OF POSN	PART NUMBER
	43.18[1.700]	45.72[1.800]	36	4-147100-1
	2.54[.100]	5.08[.200]	4	4-147100-0
		2.54[.100]	2	3-147100-9
	99.06[3.900]	101.60[4.000]	80	3-147100-8
	96.52[3.800]	99.06[3.900]	78	3-147100-7
	93.98[3.700]	96.52[3.800]	76	3-147100-6
	91.44[3.600]	93.98[3.700]	74	3-147100-5
	88.90[3.500]	91.44[3.600]	72	3-147100-4
	86.36[3.400]	88.90[3.500]	70	3-147100-3
	83.82[3.300]	86.36[3.400]	68	3-147100-2
	81.28[3.200]	83.82[3.300]	66	3-147100-1
	78.74[3.100]	81.28[3.200]	64	3-147100-0
	76.20[3.000]	78.74[3.100]	62	2-147100-9
	73.66[2.900]	76.20[3.000]	60	2-147100-8
	71.12[2.800]	73.66[2.900]	58	2-147100-7
	68.58[2.700]	71.12[2.800]	56	2-147100-6
	66.04[2.600]	68.58[2.700]	54	2-147100-5
	63.50[2.500]	66.04[2.600]	52	2-147100-4
	60.96[2.400]	63.50[2.500]	50	2-147100-3
	58.42[2.300]	60.96[2.400]	48	2-147100-2
	55.88[2.200]	58.42[2.300]	46	2-147100-1
	53.34[2.100]	55.88[2.200]	44	2-147100-0
	50.80[2.000]	53.34[2.100]	42	1-147100-9
	48.26[1.900]	50.80[2.000]	40	1-147100-8
	45.72[1.800]	48.26[1.900]	38	1-147100-7
	43.18[1.700]	45.72[1.800]	36	1-147100-6
	40.64[1.600]	43.18[1.700]	34	1-147100-5
	38.10[1.500]	40.64[1.600]	32	1-147100-4
	35.56[1.400]	38.10[1.500]	30	1-147100-3
	33.02[1.300]	35.56[1.400]	28	1-147100-2
	30.48[1.200]	33.02[1.300]	26	1-147100-1
	27.94[1.100]	30.48[1.200]	24	1-147100-0
	25.40[1.000]	27.94[1.100]	22	147100-9
	22.86[.900]	25.40[1.000]	20	147100-8
	20.32[.800]	22.86[.900]	18	147100-7
	17.78[.700]	20.32[.800]	16	147100-6
	15.24[.600]	17.78[.700]	14	147100-5
	12.70[.500]	15.24[.600]	12	147100-4
	10.16[.400]	12.70[.500]	10	147100-3
	7.62[.300]	10.16[.400]	8	147100-2
	5.08[.200]	7.62[.300]	6	147100-1

OBSOLETE

SUPERSEDED 6-147100-6

SUPERSEDED 5-147100-6

THIS DRAWING IS A CONTROLLED DOCUMENT. DIMENSIONS: mm [INCHES]. TOLERANCES: UNLESS OTHERWISE SPECIFIED: 0 PLG ±, 1 PLG ±, 2 PLG ± 0.13[.005], 3 PLG ±, 4 PLG ±, ANGLES ±.

APPROVED: J. OLSON. DATE: 06NOV02. NAME: J. OLSON. PRODUCT SPEC: 108-25022. APPLICATION SPEC: 114-25018. WEIGHT: 0.00779g. SCALE: 4:1. SHEET: 1 OF 1. REV: K5.

STE TE Connectivity Ltd. AMPMODU, REC ASSY, MOD IV DBL ROW, DUAL ENTRY, .100X.100CL, VERTICAL MOUNT. SIZE: A1. CAGE CODE: 00779. DRAWING NO: 147100. RESTRICTED TO: CUSTOMER DRAWING.

单击下面可查看定价，库存，交付和生命周期等信息

[>>TE Connectivity\(泰科\)](#)