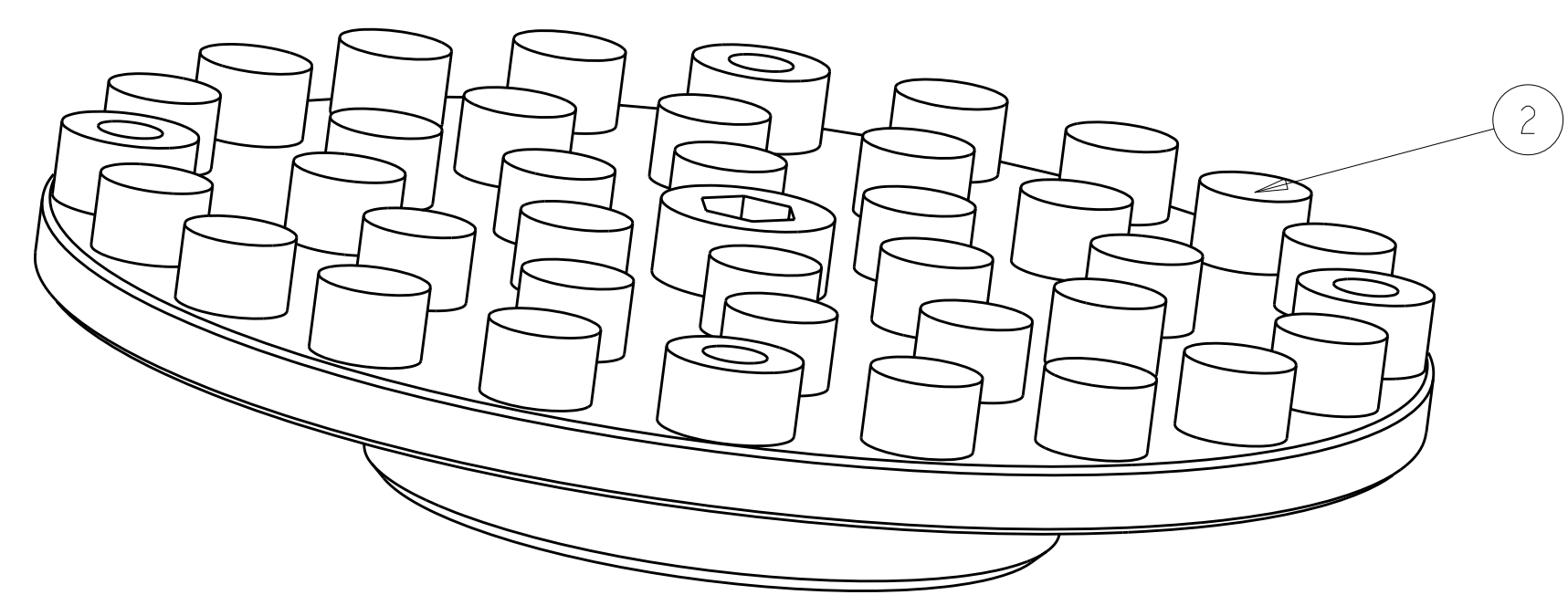
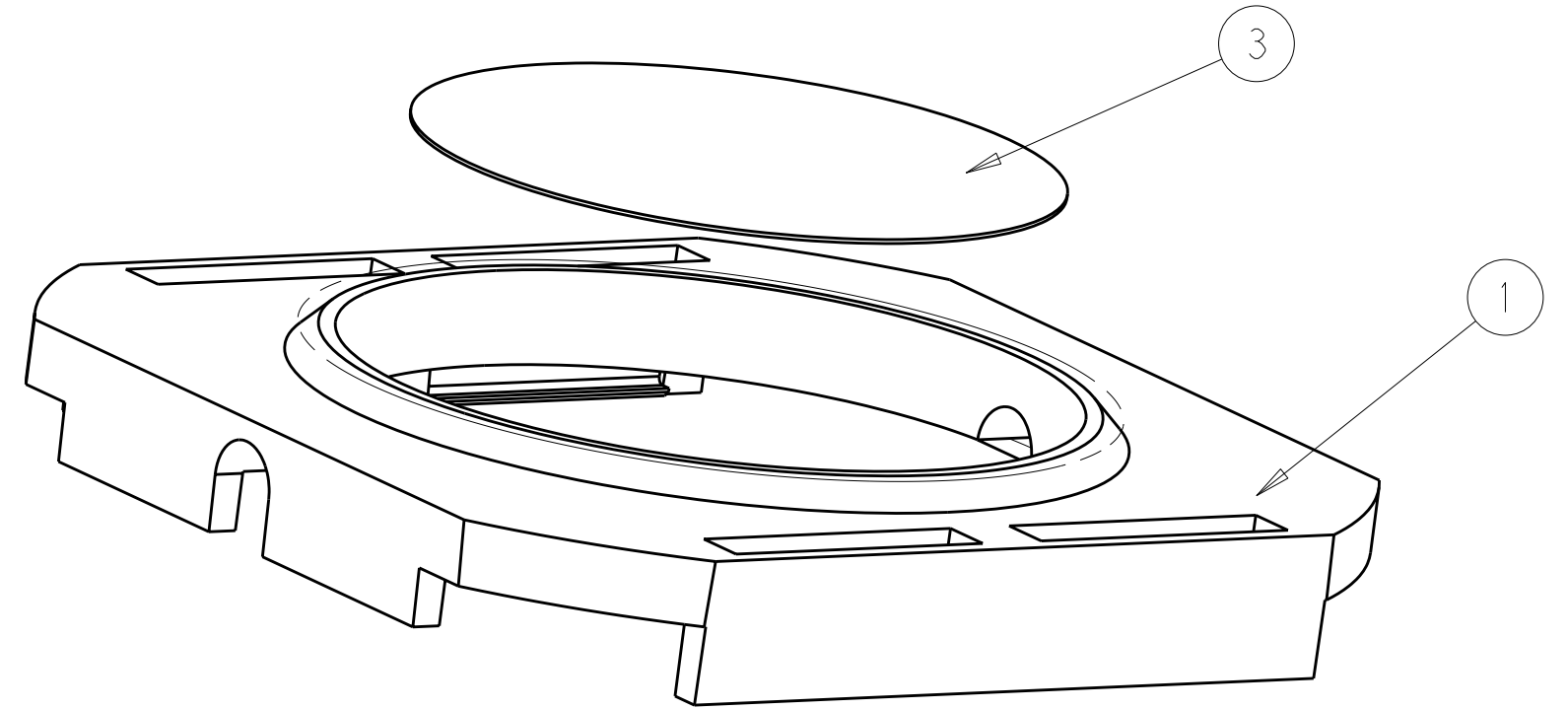


LOC	DIST	REVISIONS					
		P	LTB	DESCRIPTION	DATE	DWN	APVD
AD	00	1		PROPOSED	27AUG2009	DH	JE
		A		RELEASED	31AUG2009	DH	JE

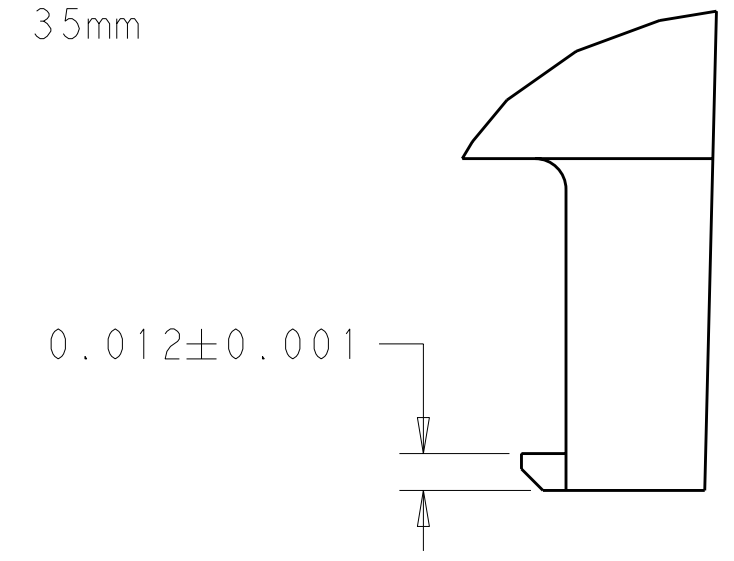


PIN FIN HEATSINK: 2.000 DIA.
0.433 HT.



4-LEG CLIP SIZE: 35mm

SCALE 4:1



DETAIL A
SCALE 16:1

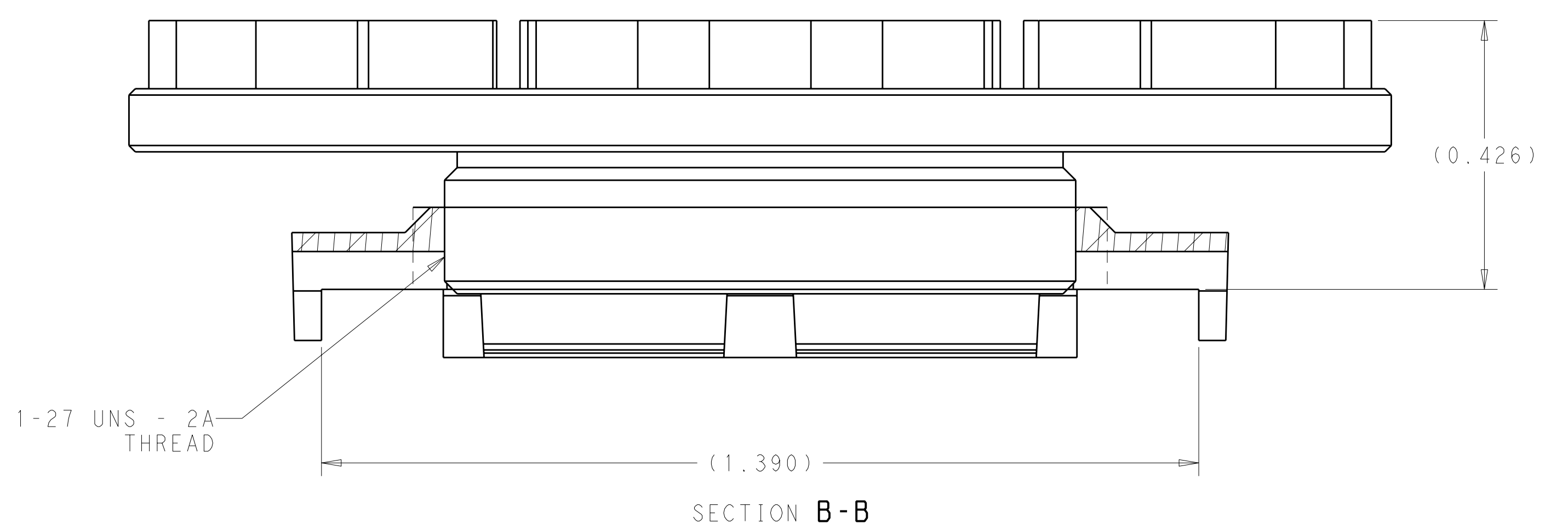
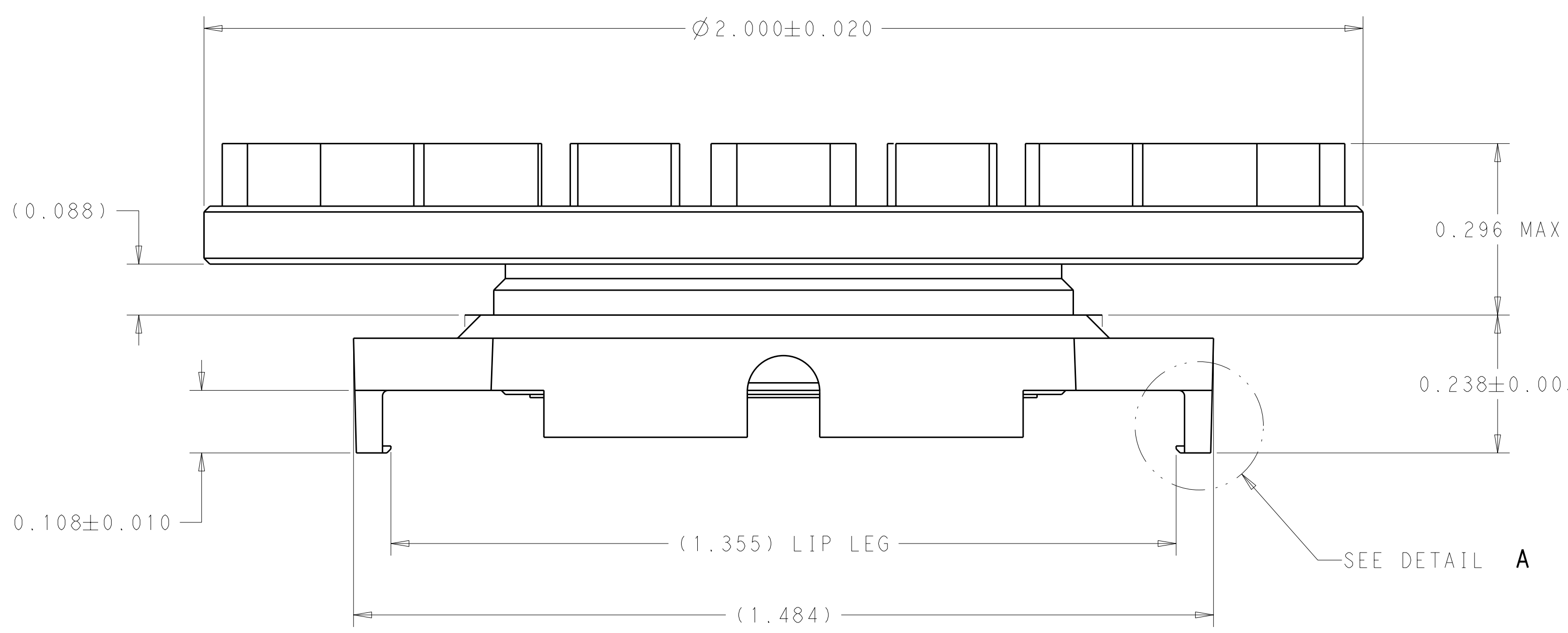
NOTES:

- MATERIAL:
HEAT SINK: ALUM. (BLACK ANODIZE)
CLIP: BLACK PEI(UL94-V0)
- BEFORE THE HEATSINK APPLICATION, THE USER SHOULD IDENTIFY THE SPECIFICATION OF MAXIMUM LOAD ON THE BGA PACKAGE

HEATSINK TORQUE SPECIFICATIONS CONVERTED TO FORCE.

BARE DIE PACKAGE:
2.0 INCH - LB TORQUE = 8.1 LBS FORCE
2.5 INCH - LB TORQUE = 10.1 LBS FORCE

FULL SIZE LID PACKAGE:
2.0 INCH - LB TORQUE = 6.9 LBS FORCE
2.5 INCH - LB TORQUE = 8.7 LBS FORCE
- REMOVE CLIP WITH REMOVAL TOOL P/N: 1542616-1
- RoHS COMPLIANT AND CERTIFIED.



QTY.	DESCRIPTION	ITEM
1	INTERFACE	3
1	HEAT SINK	2
1	MOUNTING CLIP	1

DIMENSIONS: INCHES 		TOLERANCES UNLESS OTHERWISE SPECIFIED: 0 PLC ±. 1 PLC ±0.1 2 PLC ±0.02 3 PLC ±0.005 4 PLC ±0.0005 ANGLES ±.		DWN: D. HUMBERT 27AUG2009 CHK: J. EARY 27AUG2009 APVD: J. EARY 27AUG2009		Tyco Electronics Harrisburg, PA 17105-3608	
MATERIAL: SEE NOTE FINISH: SEE NOTE		CUSTOMER DRAWING		NAME: 35mm PIN FIN HEATSINK ASSEMBLY SIZE: A100779 CAGE CODE: C=2110926 DRAWING NO: 2110926		RESTRICTED TO: - SCALE: 6:1 SHEET 1 OF 1 REV A	

单击下面可查看定价，库存，交付和生命周期等信息

[>>TE Connectivity\(泰科\)](#)