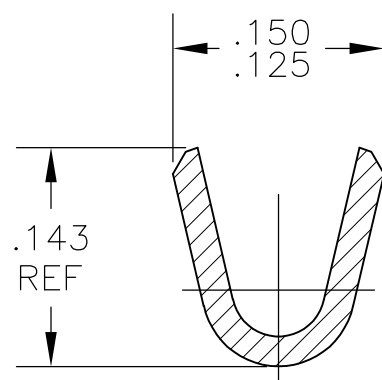
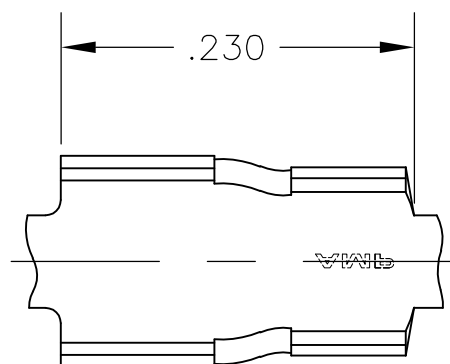


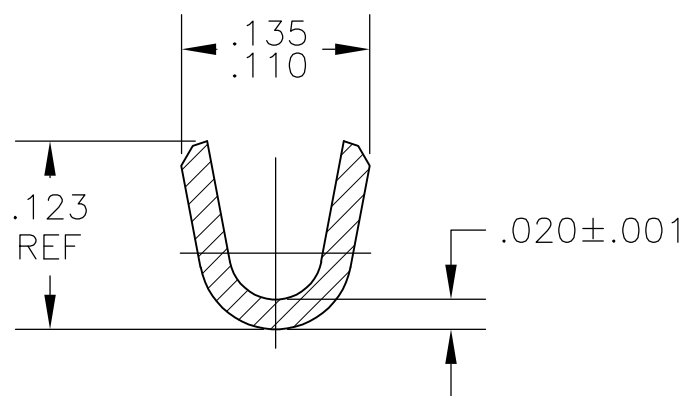
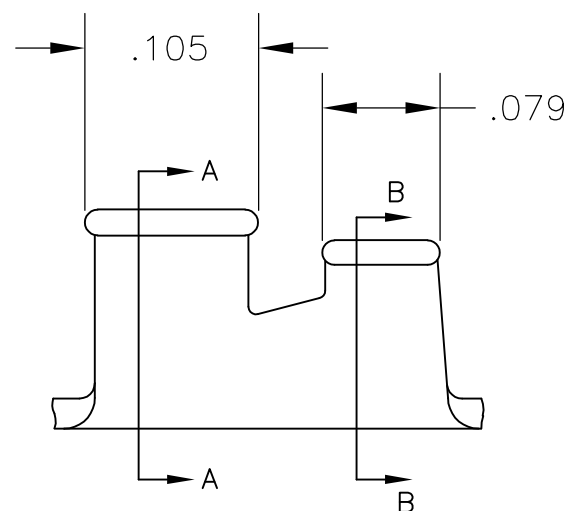
THIS DRAWING IS UNPUBLISHED. RELEASED FOR PUBLICATION  
 © COPYRIGHT BY TYCO ELECTRONICS CORPORATION. ALL RIGHTS RESERVED.

LOC	DIST	REVISIONS			
P	LTR	DESCRIPTION	DATE	DWN	APVD
AF	50	A2	REVISED PER ECR-07-031119	28DEC07	HMR GP

- 1 WIRE RANGE 1200 - 2200 CMA
- 2 INSULATION RANGE: .070 - .100 DIA
- 3 PRODUCT PROVIDED IN STRIP FORM ON REELS; BREAKS MAY BE PRESENT.



SECTION A-A



SECTION B-B

	.000100 MIN NICKEL	TEMP 3 C.R.STEEL	62503-2
OBSOLETE	NONE	TEMP 1 BRASS	62503-1
	FINISH	MATERIAL	PART NO

THIS DRAWING IS A CONTROLLED DOCUMENT.		DWN RAGHAVENDRA 15DEC06	Tyco Electronics Corporation Harrisburg, PA 17105-3608	
DIMENSIONS: INCHES	TOLERANCES UNLESS OTHERWISE SPECIFIED:	CHK G.D.PORTA 04JAN07	NAME	
	0 PLC ± -	APVD G.D.PORTA 04JAN07	SPLICE	
	1 PLC ± -	PRODUCT SPEC	-	
	2 PLC ± -	APPLICATION SPEC	SIZE	CAGE CODE
	3 PLC ± .010		A3	00779
	4 PLC ± -		DRAWING NO	RESTRICTED TO
	ANGLES ± -		G-62503	-
MATERIAL SEE TABLE	FINISH SEE TABLE	WEIGHT -	CUSTOMER DRAWING	
		SCALE 8:1	SHEET 1 OF 1	REV A2

单击下面可查看定价，库存，交付和生命周期等信息

[>>TE Connectivity\(泰科\)](#)