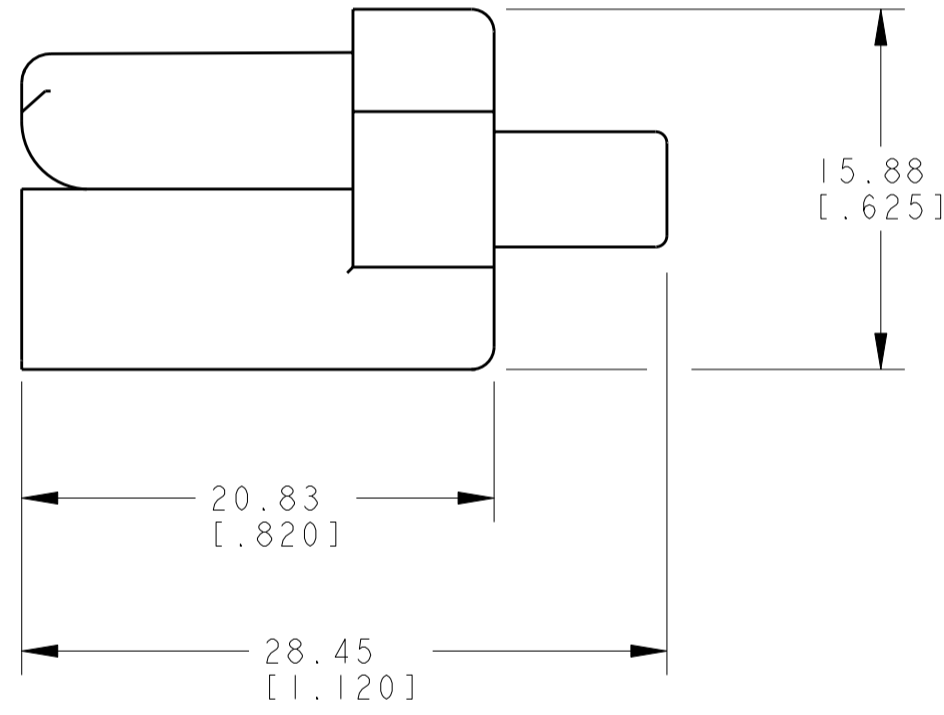
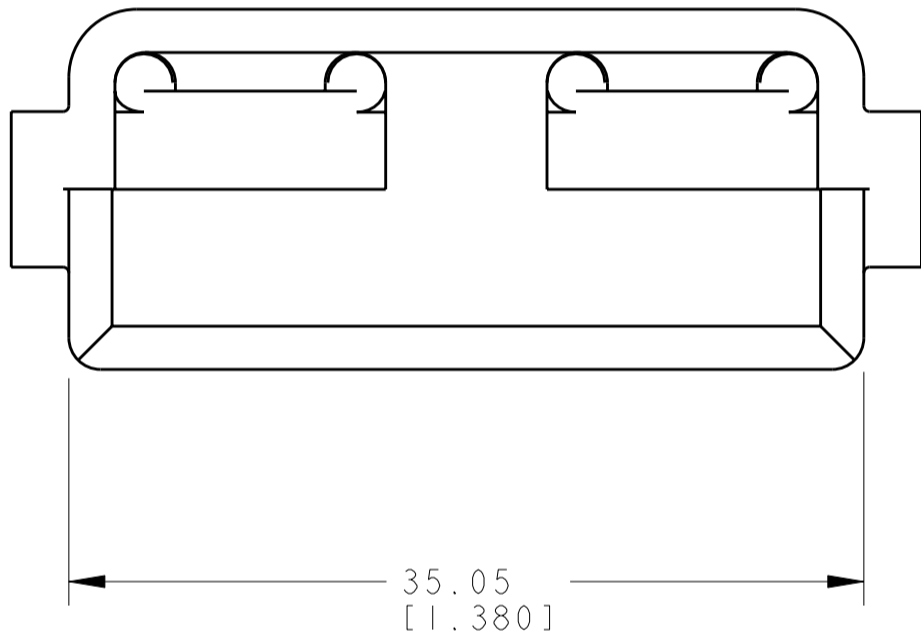
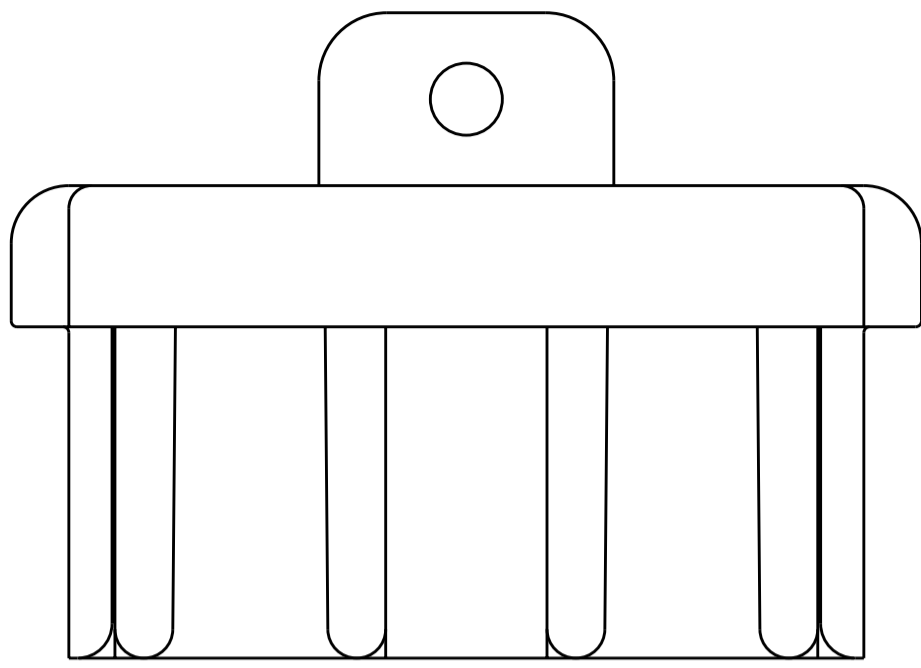
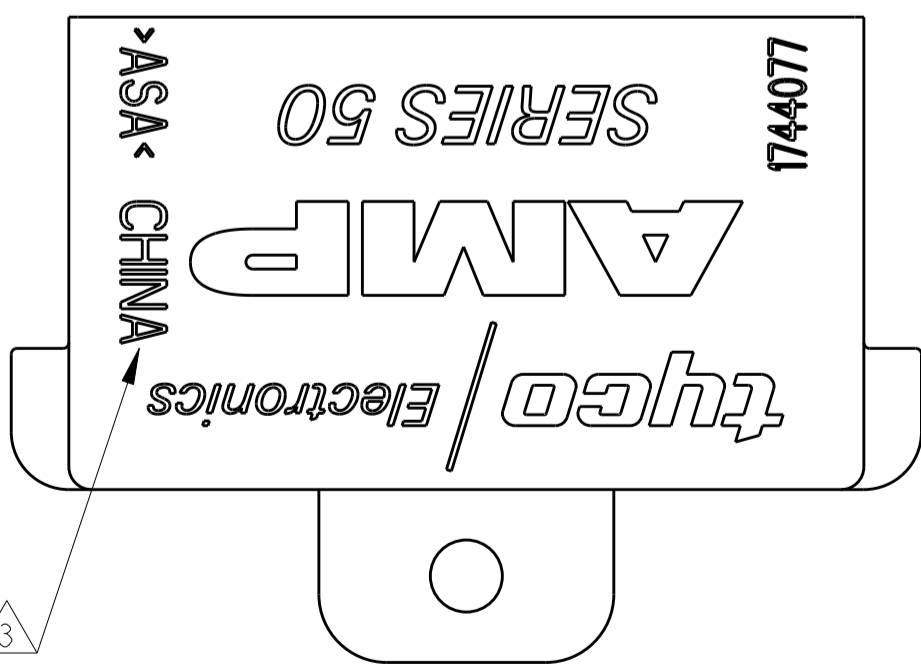
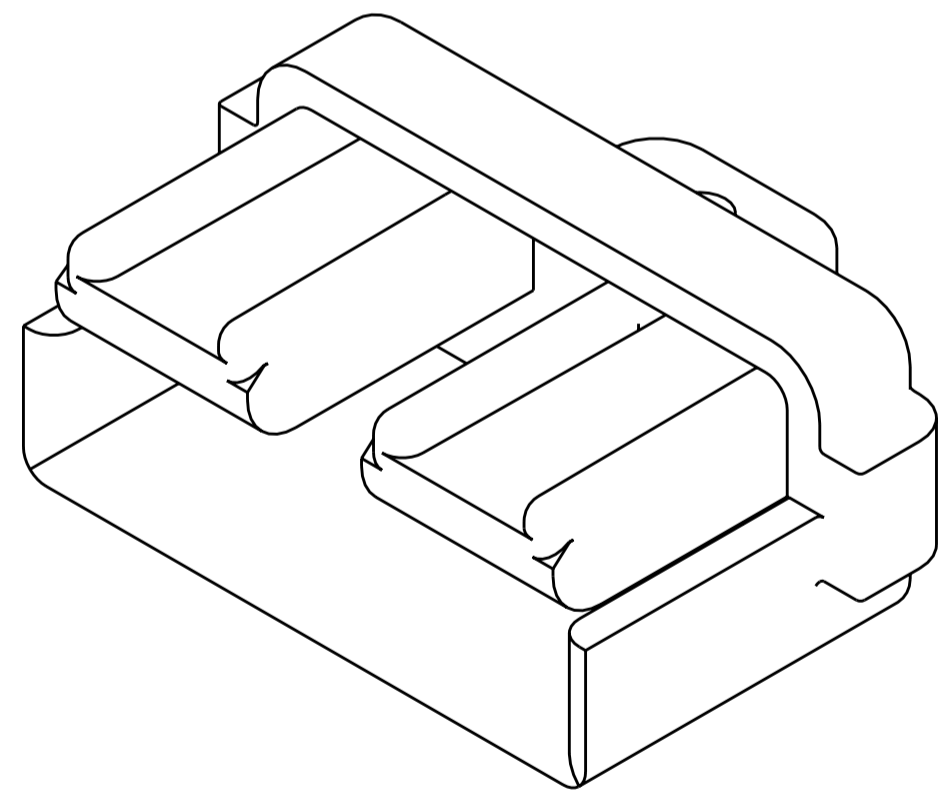


THIS DRAWING IS UNPUBLISHED. RELEASED FOR PUBLICATION 20
 © COPYRIGHT 20 BY TYCO ELECTRONICS CORPORATION. ALL RIGHTS RESERVED.

LOC		DIST		REVISIONS			
P	LTR	DESCRIPTION	DATE	DWN	APVD		
	2	REVISED PER 063B-0829-04	20SEP04	KW	JE		
	A	ECO-08-013135	05JUN2008	KW	SR		



- 1 MATERIAL: PLASTIC, BLACK.
- 2. PART MATES WITH THE POWER PRODUCT 50 SERIES CONNECTORS.
- 3 COUNTRY OF ORIGIN (EXAMPLE: CHINA), SIZE OPTIONAL.



0.355 IN ³	1744077-1
VOLUME	PART NUMBER

METRIC

THIS DRAWING IS A CONTROLLED DOCUMENT FOR TYCO ELECTRONICS CORPORATION. IT IS SUBJECT TO CHANGE AND THE CONTROLLING ENGINEERING ORGANIZATION SHOULD BE CONTACTED FOR THE LATEST REVISION.		DWN K. WHITAKER 29 JUN 2004	Tyco Electronics Harrisburg, PA 17105-3608	
DIMENSIONS: mm [INCHES]		CHK J. ELLIS 29 JUN 2004	NAME DUST COVER HOUSING, AMP POWER SERIES 50	
TOLERANCES UNLESS OTHERWISE SPECIFIED: 0 PLC ± 1 PLC ± 2 PLC ±0.13 [.005] 3 PLC ± 4 PLC ± ANGLES ±0° 30'		APVD J. ELLIS 29 JUN 2004	RESTRICTED TO	
MATERIAL		PRODUCT SPEC	SIZE	CAGE CODE
1		APPLICATION SPEC	A200779	C-1744077
		WEIGHT	DRAWING NO	
		CUSTOMER DRAWING	-	
		SCALE	3:1	SHEET 1 OF 1
				REV A

单击下面可查看定价，库存，交付和生命周期等信息

[>>TE Connectivity\(泰科\)](#)