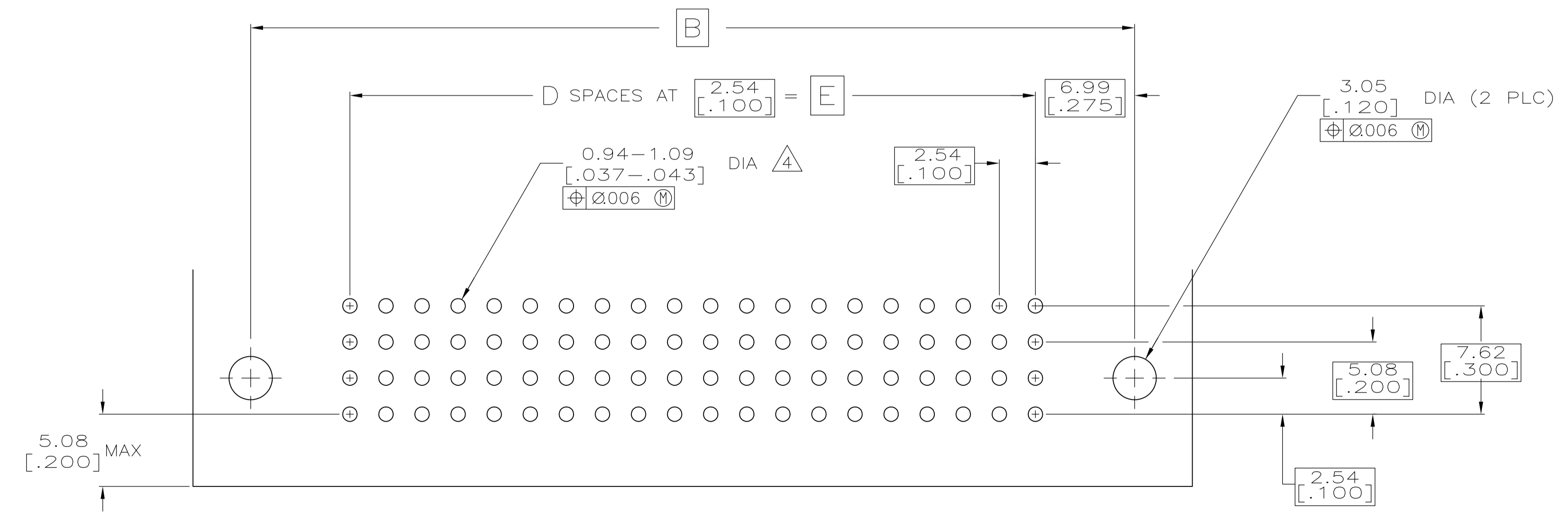
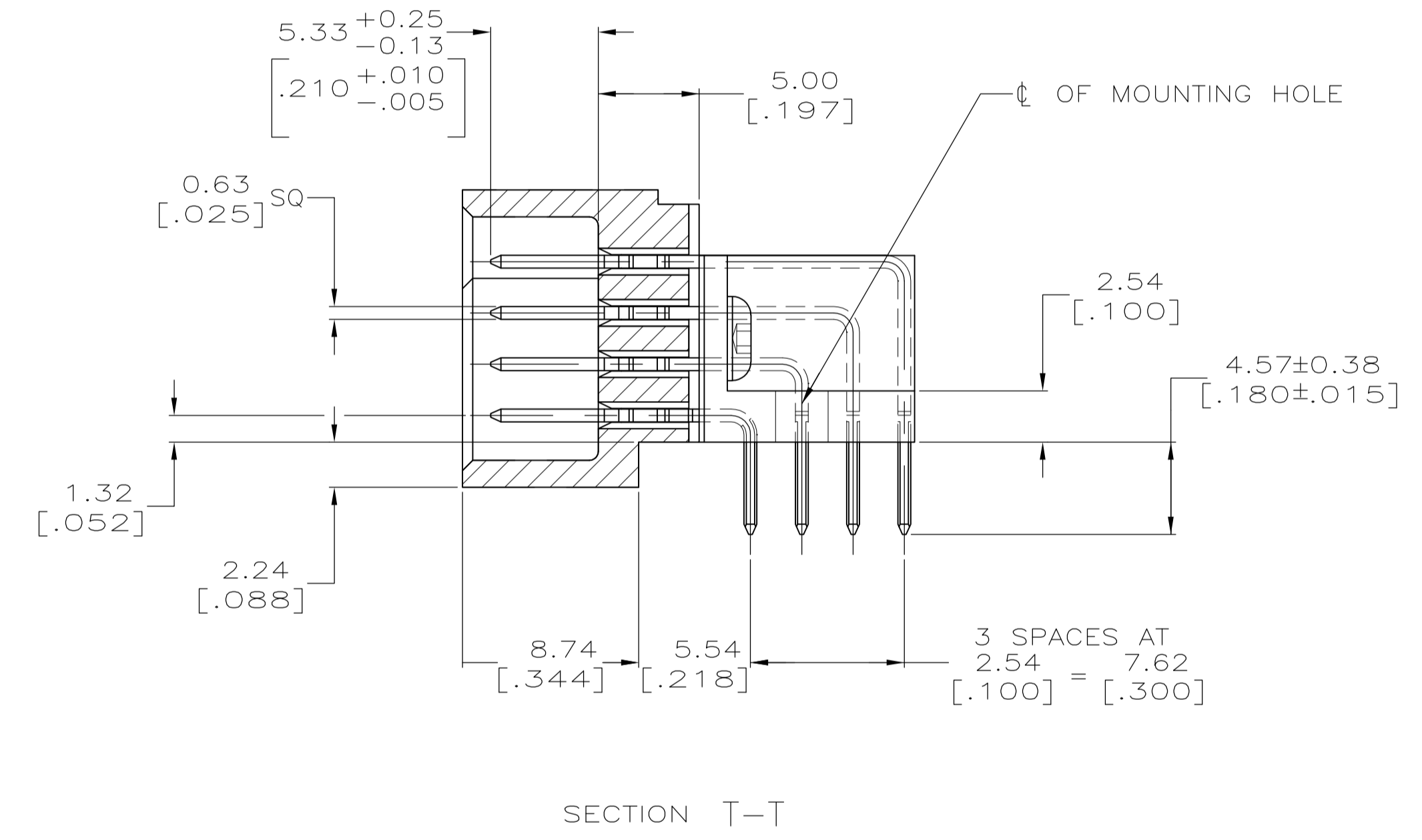
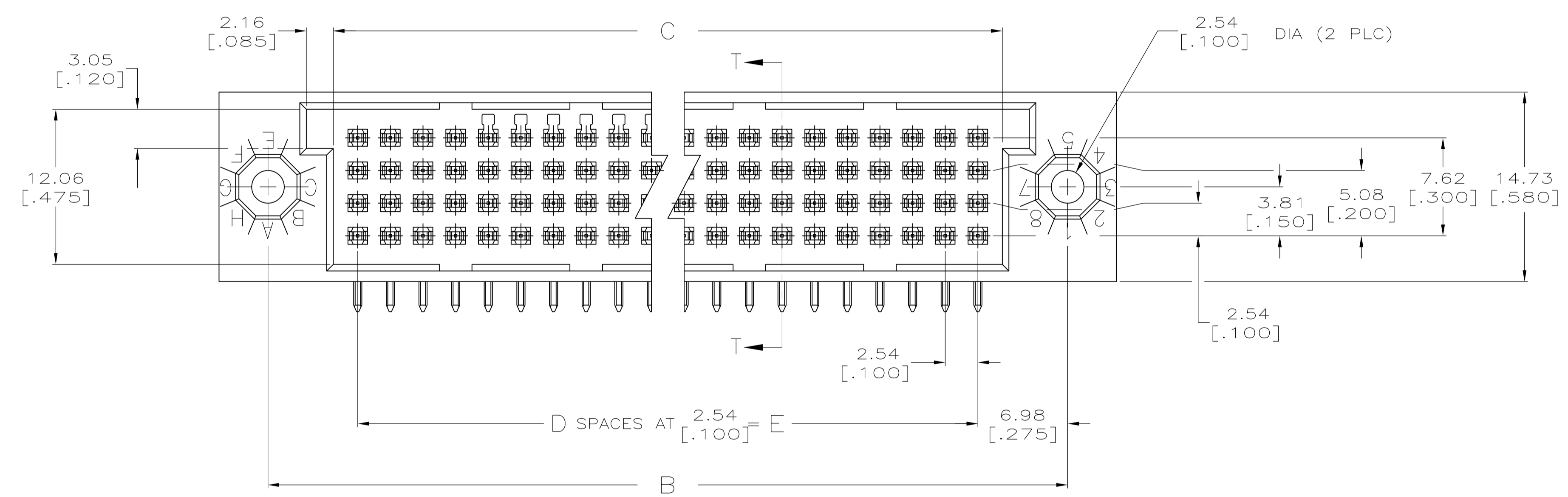
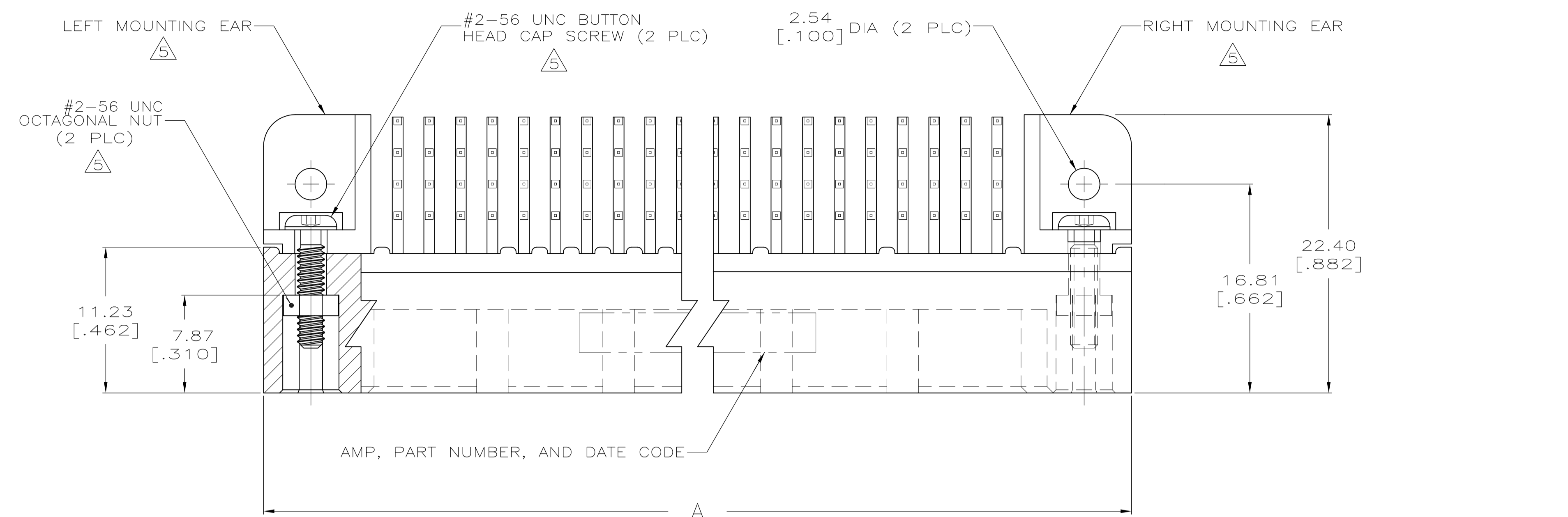


REVISIONS					
P	LTR	DESCRIPTION	DATE	OWN	APVD
U		REVISED PER ECO-15-015252	13NOV15	BJ	FY



RECOMMENDED P.C. BOARD LAYOUT

THIS DRAWING IS A CONTROLLED DOCUMENT.		DIN R.K. SEIFRIED 05/16/90	 TE Connectivity
DIMENSIONS: mm [INCHES]		CHK J.D.WEARY 02/11/92	
TOLERANCES UNLESS OTHERWISE SPECIFIED:		APVD J.D.WEARY 02/11/92	NAME
0 PLC ± -			ASSY, HDI, 4 ROW, RIGHT ANGLE PIN
1 PLC ± -			4.57 [.180] LONG SOLDER TAILS
2 PLC ± -			PRODUCT SPEC
3 PLC ± 0.13 [.005]			APPLICATION SPEC
4 PLC ± -			
ANGLES ± -			
MATERIAL	FINISH	SIZE	CAGE CODE
		A1	00779
		DRAWING NO	533444
		WEIGHT	
		CUSTOMER DRAWING	SCALE 4:1 SHEET 1 OF 2 REV U

REVISIONS					
P	LTR	DESCRIPTION	DATE	DMN	APVD
-		SEE SHEET 1	-	-	-

- 1 HOUSING MATERIAL: THERMOPLASTIC, COLOR=BLACK.
- 2 CONTACT MATERIAL: PHOSPHOR BRONZE.
- 3 FINISH:
MATING AREA: MEETS THE PERFORMANCE REQUIREMENTS OF PRODUCT SPECIFICATION 108-9063; BASED ON TELCORDIA DR-1217-CORE APPLICATIONS IN UNCONTROLLED ENVIRONMENTS.
SOLDER TAILS AREA: TIN-LEAD PLATED.
- 4 RIGHT ANGLE PIN RECOMMENDED P.C. BOARD HOLE SIZES ARE 0.94-1.09 [.037-.043]; RECOMMENDED PAD DIA IS 1.52 [.060].
- 5 MOUNTING EARS AND HARDWARE PURCHASED SEPARATELY, KIT PART NUMBER 533050-1.
- 6 DIMENSIONS IN BRACKETS ARE IN INCHES.
- 7 HOUSINGS WITH CENTER MOUNTING IS RECOMMENDED FOR ASSEMBLIES HAVING 75 CONTACTS PER ROW OR MORE.
- 8 PART NUMBER IS OBSOLETE.
- 9 OBSOLETE PARTS: OBSOLETE CIS STREAMLINING PER D.RENAUD/D.SINISI

	E	D	C	B	A	POSN	PART NO.	
8	160.02 [6.300]	63	163.83 [6.450]	173.99 [6.850]	181.61 [7.150]	256	2-533444-1	
8	251.46 [9.900]	99	255.27 [10.050]	265.43 [10.450]	273.05 [10.750]	400	2-533444-0	
8	167.64 [6.600]	66	171.45 [6.750]	181.61 [7.150]	189.23 [7.450]	268	1-533444-9	
8	144.78 [5.700]	57	148.59 [5.850]	158.75 [6.250]	166.37 [6.550]	232	1-533444-8	
8	134.62 [5.300]	53	138.43 [5.450]	148.59 [5.850]	156.21 [6.150]	216	1-533444-7	
8	81.28 [3.200]	32	85.09 [3.350]	95.25 [3.750]	102.87 [4.050]	132	1-533444-6	
8	66.04 [2.600]	26	69.85 [2.750]	80.01 [3.150]	87.63 [3.450]	108	1-533444-5	
8	55.88 [2.200]	22	59.69 [2.350]	69.85 [2.750]	77.47 [3.050]	92	1-533444-4	
	-	-	-	-	-	-	1-533444-3	
9	OBSOLETE	74	187.96 [7.400]	191.77 [7.550]	201.93 [7.950]	209.55 [8.250]	300	1-533444-2
8	175.26 [6.900]	69	179.07 [7.050]	189.23 [7.450]	196.85 [7.750]	280	1-533444-1	
8	162.56 [6.400]	64	166.37 [6.550]	176.53 [6.950]	184.15 [7.250]	260	1-533444-0	
	149.86 [5.900]	59	153.67 [6.050]	163.83 [6.450]	171.45 [6.750]	240	533444-9	
8	137.16 [5.400]	54	140.97 [5.550]	151.13 [5.950]	158.75 [6.250]	220	533444-8	
8	124.46 [4.900]	49	128.27 [5.050]	138.43 [5.450]	146.05 [5.750]	200	533444-7	
8	111.76 [4.400]	44	115.57 [4.550]	125.73 [4.950]	133.35 [5.250]	180	533444-6	
8	99.06 [3.900]	39	102.87 [4.050]	113.03 [4.450]	120.65 [4.750]	160	533444-5	
9	OBSOLETE	34	86.36 [3.400]	90.17 [3.550]	100.33 [3.950]	107.95 [4.250]	140	533444-4
	78.74 [3.100]	31	82.55 [3.250]	92.71 [3.650]	100.33 [3.950]	128	533444-3	
8	73.66 [2.900]	29	77.47 [3.050]	87.63 [3.450]	95.25 [3.750]	120	533444-2	
8	60.96 [2.400]	24	64.77 [2.550]	74.93 [2.950]	82.55 [3.250]	100	533444-1	

THIS DRAWING IS A CONTROLLED DOCUMENT.

DMN	R. K. SEIFRIED	05/16/90
CHK	JOHN WEARY	02-11-92
APVD	JOHN WEARY	02-11-92

TE Connectivity

DIMENSIONS:	TOLERANCES UNLESS OTHERWISE SPECIFIED:	NAME
mm [INCHES]	0. PLC ± -	ASSY, HDI, 4 ROW, RIGHT ANGLE PIN
	1. PLC ± -	4.57 [180] LONG SOLDER TAILS
	2. PLC ± -	
	3. PLC ± 0.13 [005]	
	4. PLC ± -	
	ANGLES ± -	

MATERIAL	FINISH	SIZE	CAGE CODE	DRAWING NO.	RESTRICTED TO
1 2	3	A1	00779	533444	-

CUSTOMER DRAWING SCALE 4:1 SHEET 2 OF 2 REV U

单击下面可查看定价，库存，交付和生命周期等信息

[>>TE Connectivity\(泰科\)](#)