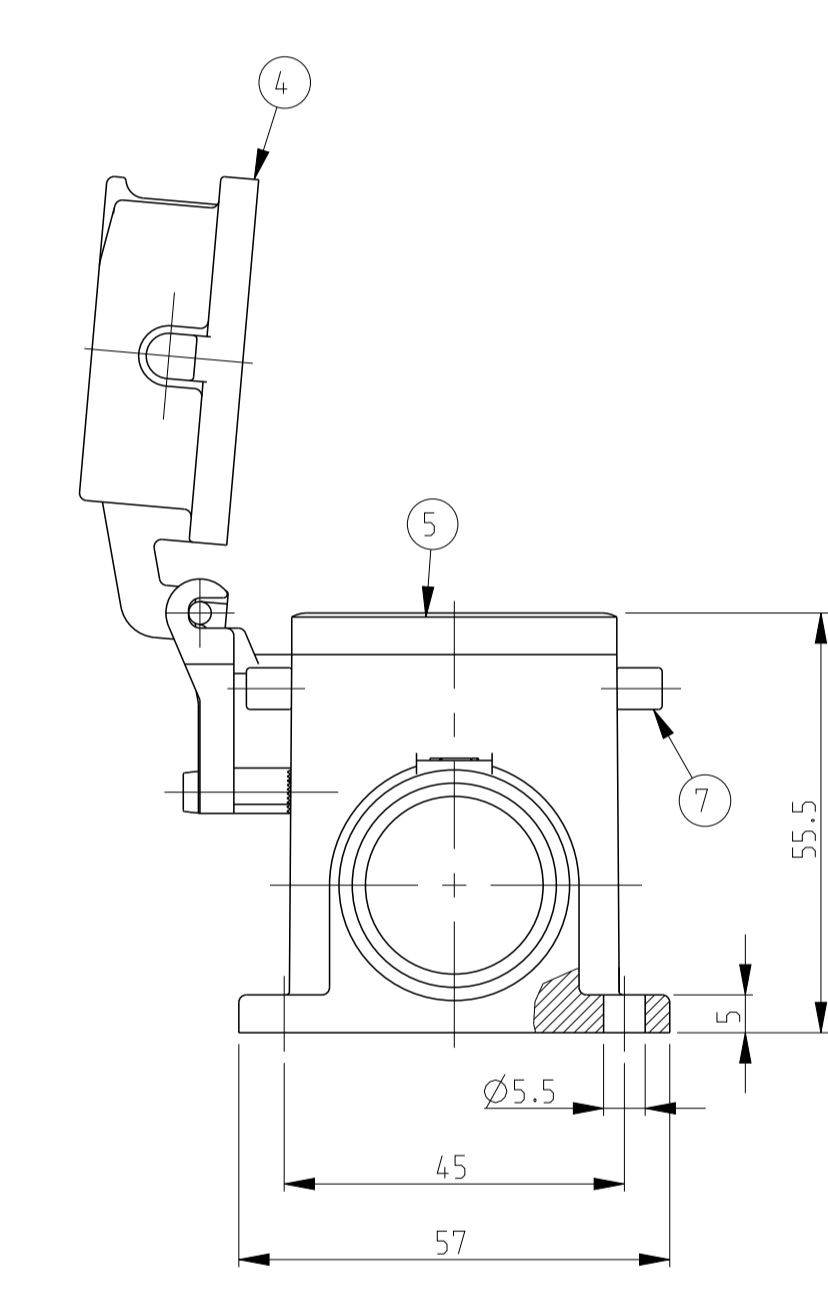
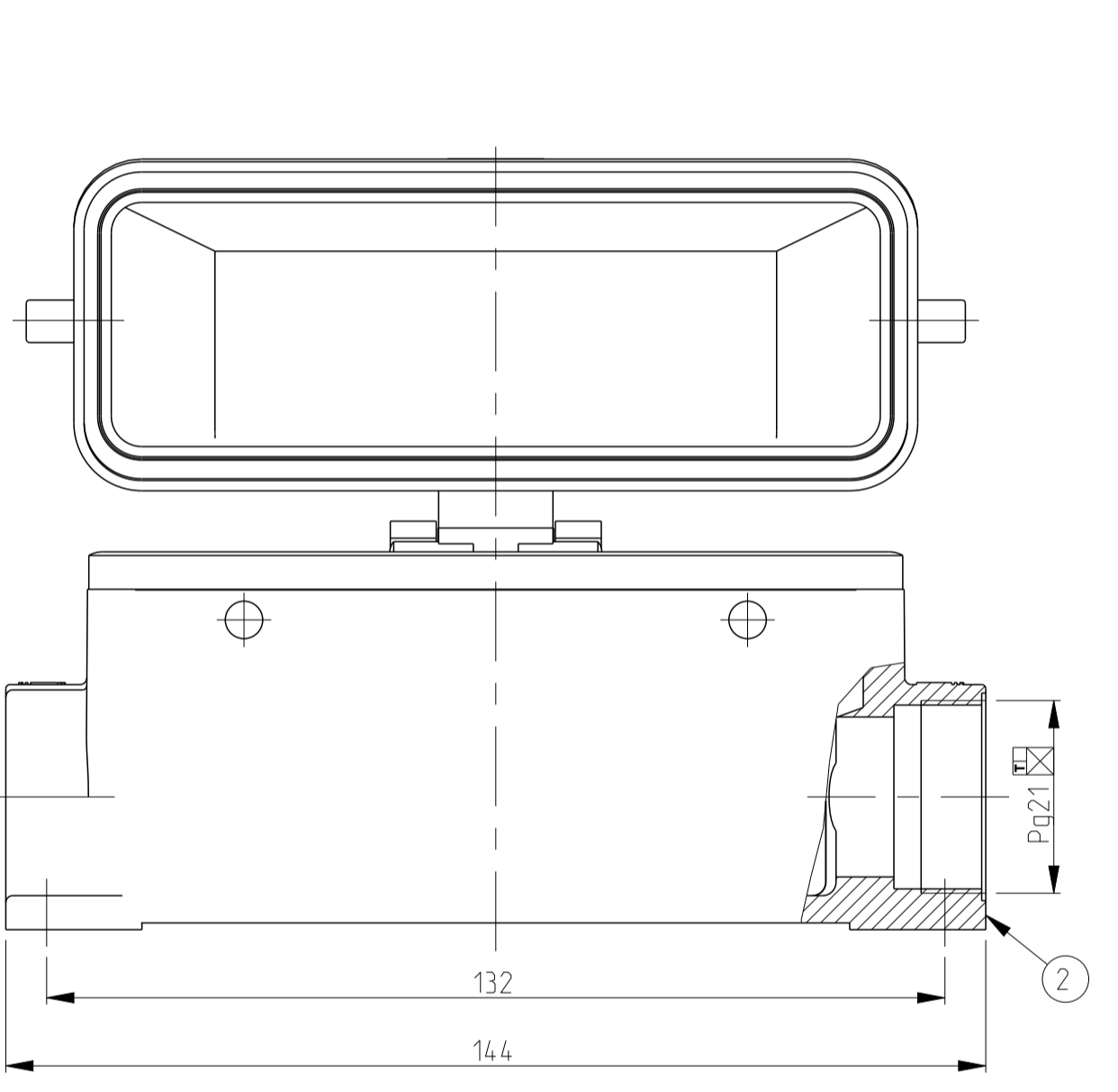
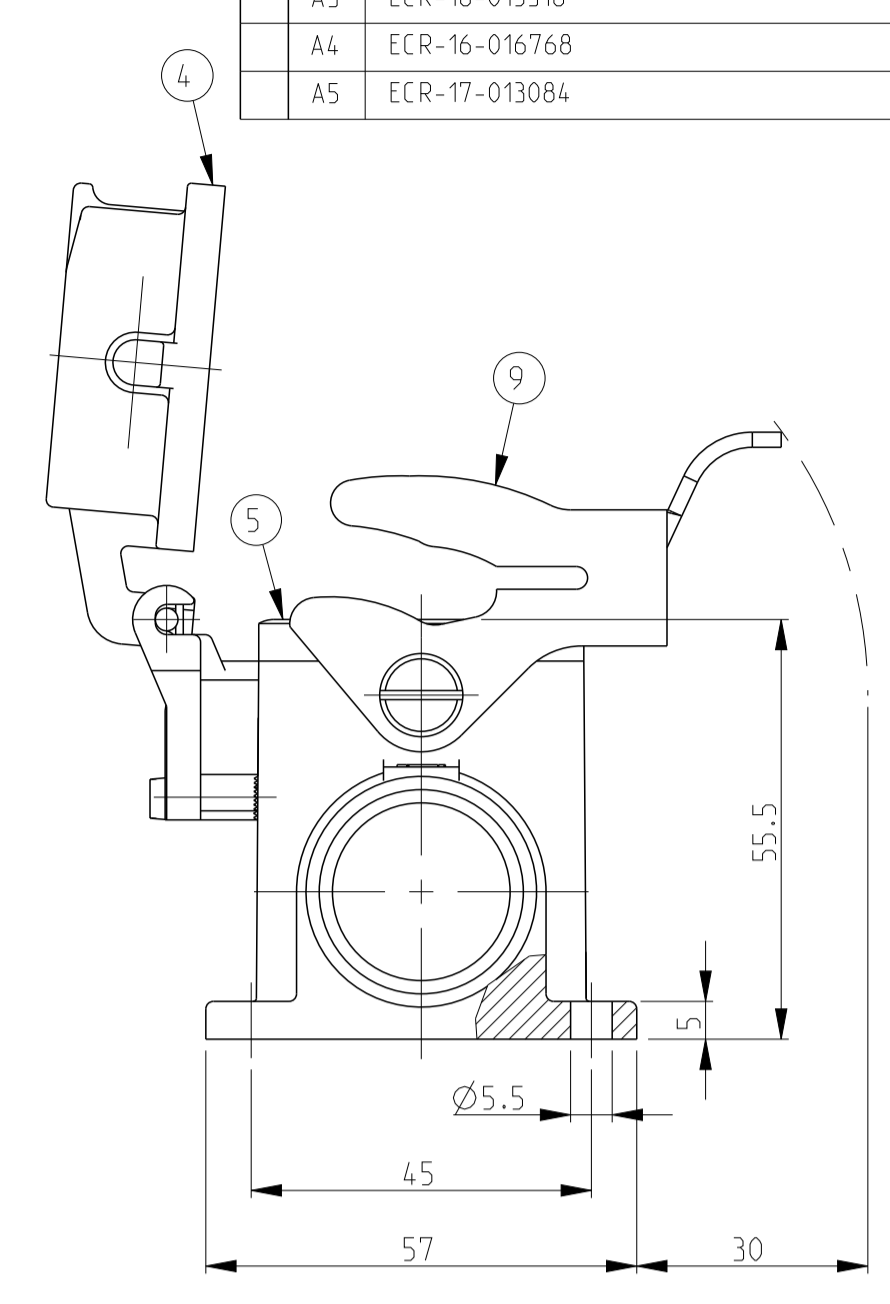
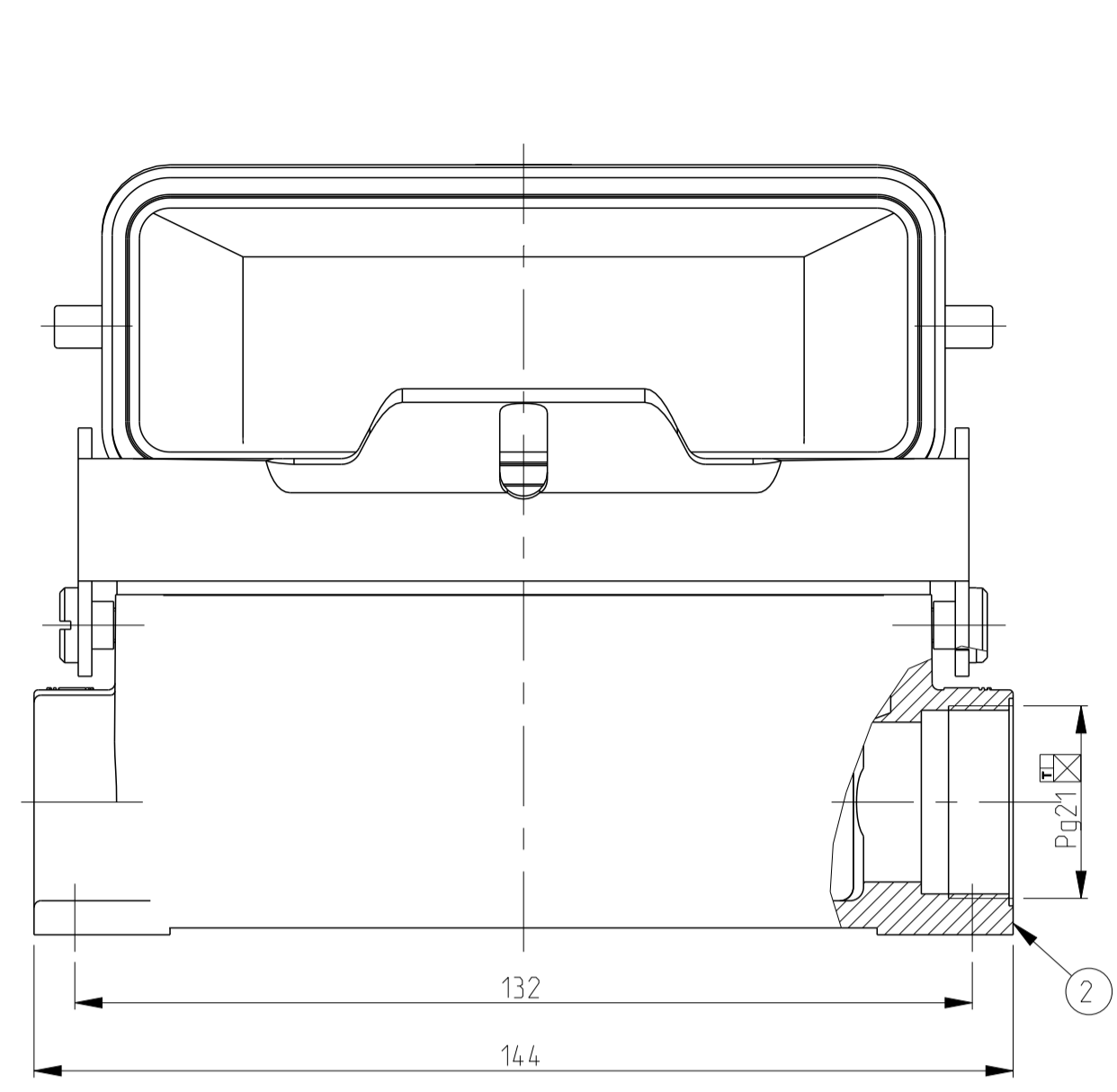
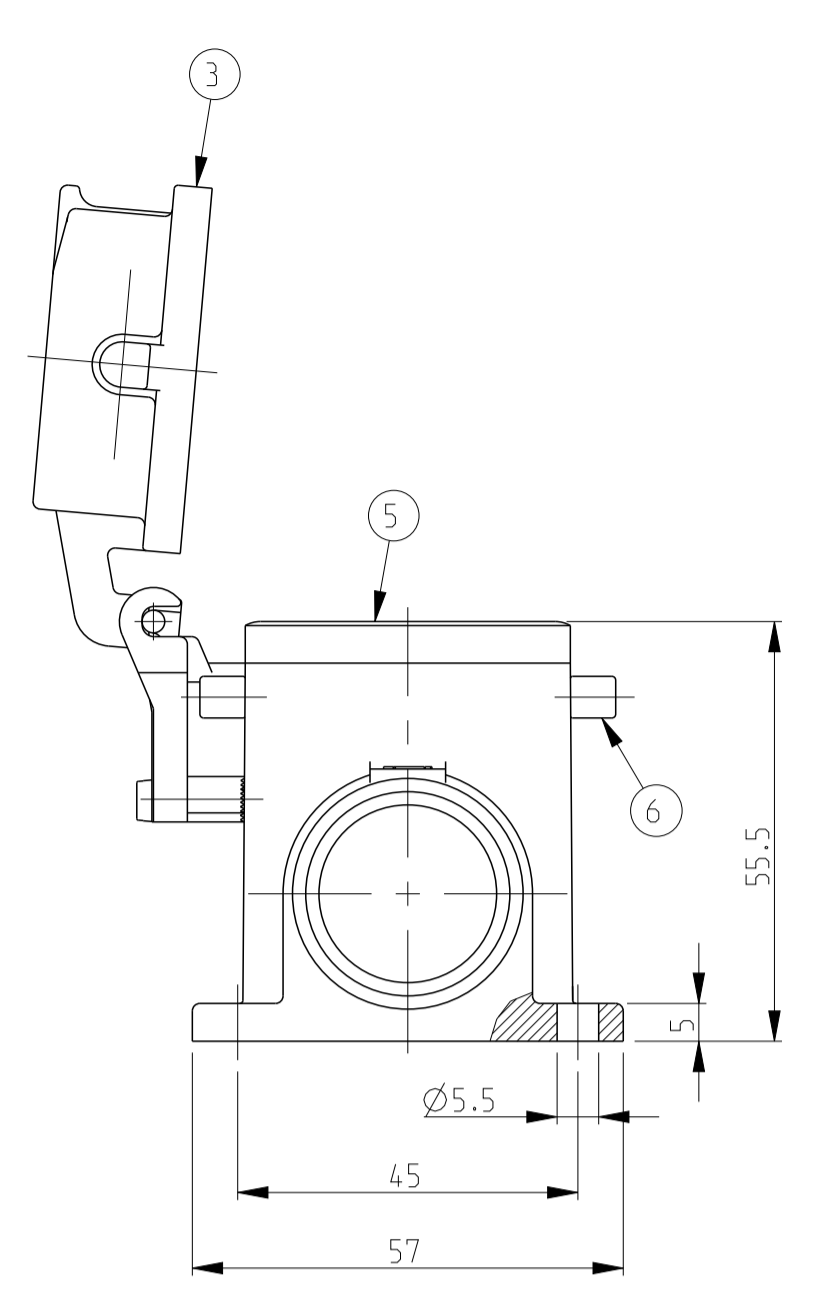
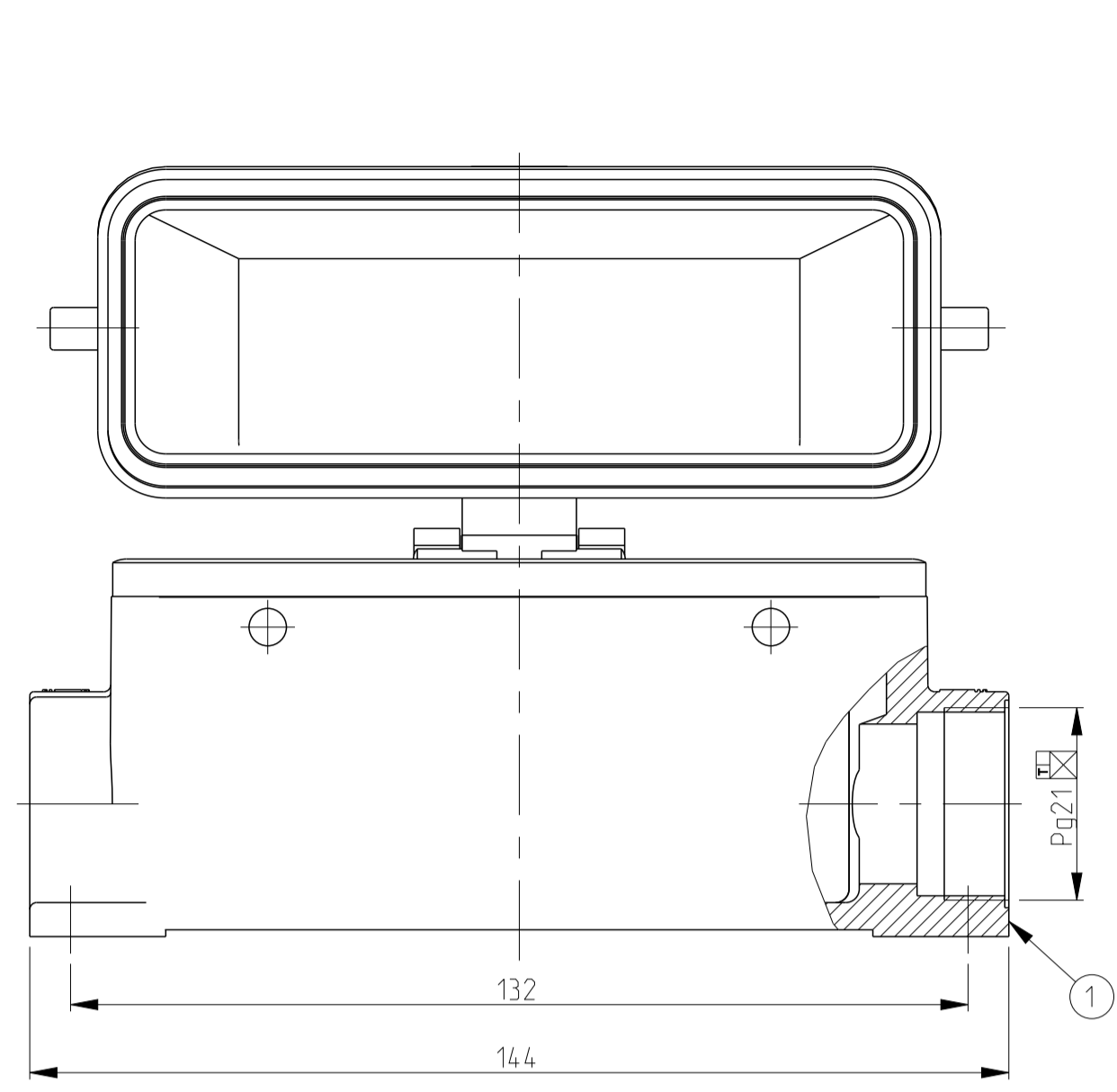
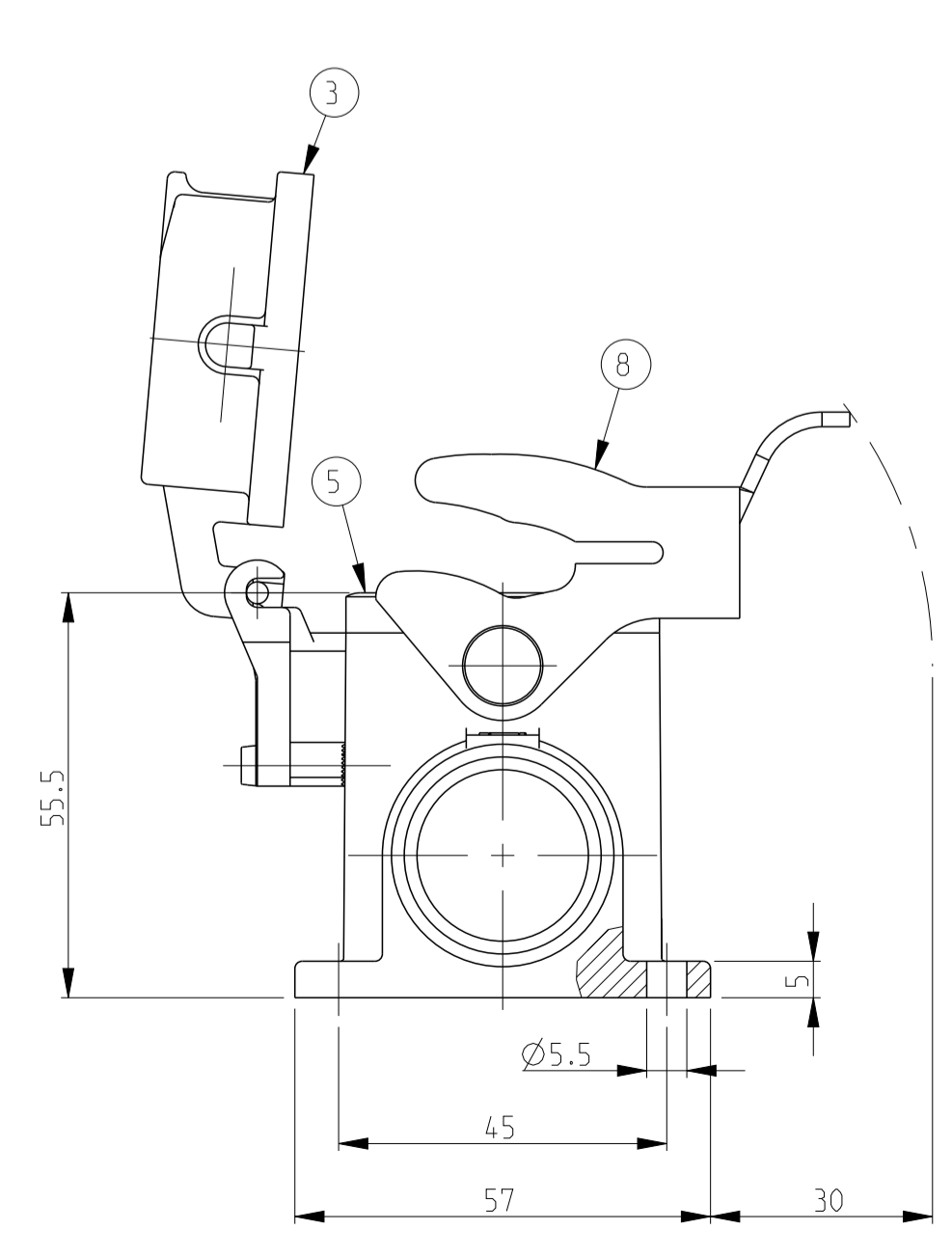
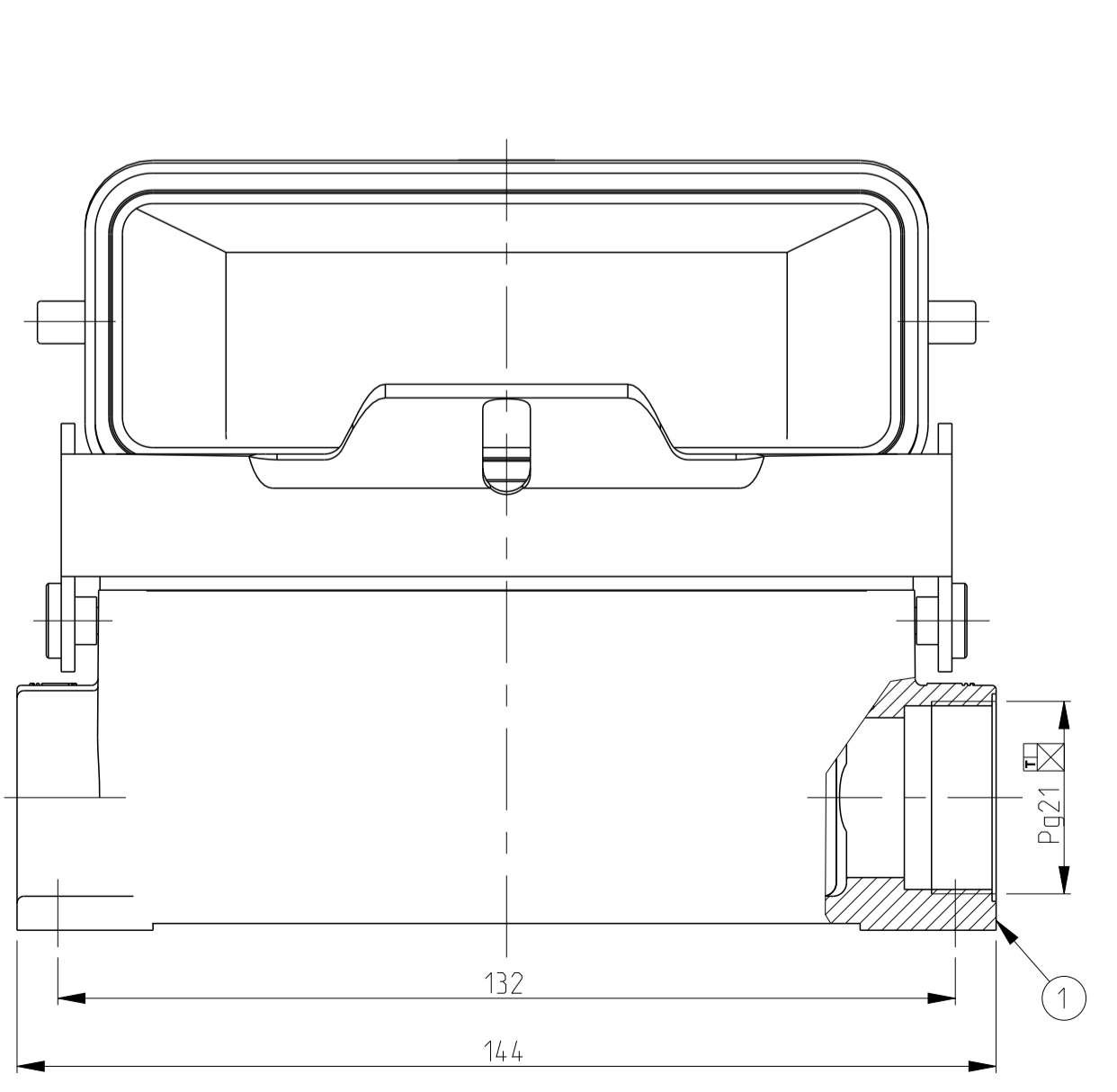
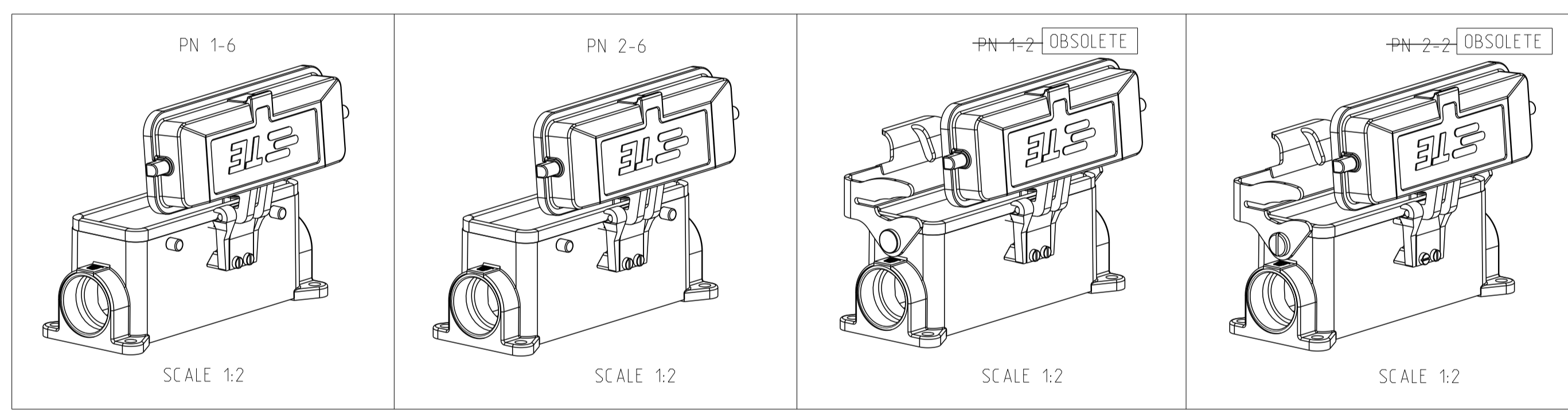


REVISIONS					
P	LTN	DESCRIPTION	DATE	DWN	APVD
A2		Released as per ECR-08-019772	04.Sep.2008	SP	TS
A3		ECR-16-015318	11AUG2017	GR	MKO
A4		ECR-16-016768	15NOV2017	GR	MKO
A5		ECR-17-013084	29MAR2018	SG	MKO



- NOTES.
- 1 Material:Housing:Aluminium Diecasting Alloy
Seals:Neoprene
 - 2 Surface:Varnish grey
-Aluminium Oxide +Varnish Black
 - 3 Varnish on the inside not necessary
 - 4 Packaging
Quantity 5 Pieces in a box



ITEM NO	DESCRIPTION	MATERIAL	SURFACE	COLOR	ITEM NO	REMARKS
1	LB-Side Clip	Stainless steel	Blank		9	
1	LB-Side Clip	Steel	Zinc plated	Blue	8	
4	VS-Clip bolt	Stainless steel	Blank		7	
4	VS-Clip bolt	Steel	Zinc plated	Blue	6	
1	Profile seal	Neoprene		Black	5	
1	Cover finished product HB-K	Aluminium	Aluminium oxide	Black RAL 9005	4	
1	Cover finished product HB	Aluminium		Grey RAL 7001	3	
1	Surface mounted housing side entry HB-K	Aluminium	Aluminium oxide	Black RAL 9005	2	
1	Surface mounted housing side entry HB	Aluminium		Grey RAL 7001	1	

ORDERING TEXT
 HB.24.SGD.1.21.Z
 HB-K.24.SGD.1.21.Z
 HB.24.SGD-LB.1.21.Z
 HB-K.24.SGD-LB.1.21.Z

THIS DRAWING IS A CONTROLLED DOCUMENT.

DIMENSIONS: mm

TOLERANCES UNLESS OTHERWISE SPECIFIED:

0	PLC	±
1	PLC	±
2	PLC	±
3	PLC	±
4	PLC	±
ANGLES		±
FINISH		±

MATERIAL: - FINISH: -

WEIGHT: -

CUSTOMER DRAWING

DWN: Schneider 13.05.03
 CHK: Schneider 13.05.03
 APVD: -

PRODUCT SPEC: -
 APPLICATION SPEC: -

NAME: Surface mounted housing side entry HB.24.SGD.1.21.Z

SIZE: A1 CAGE CODE: 00779 DRAWING NO: C=1102343

RESTRICTED TO: -

SCALE: 1:1 SHEET: 1 OF 1 REV: A5

单击下面可查看定价，库存，交付和生命周期等信息

[>>TE Connectivity\(泰科\)](#)