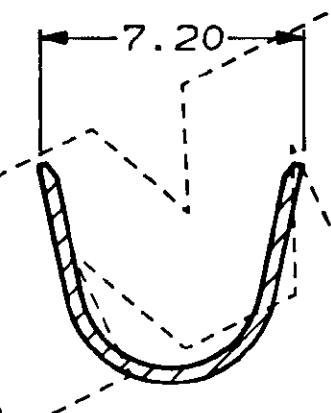
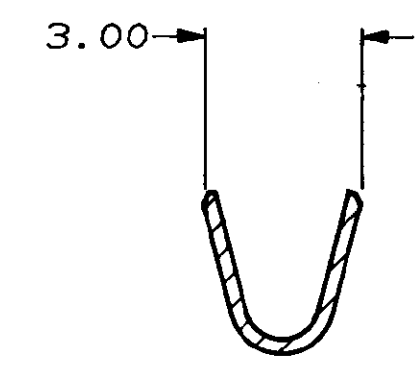
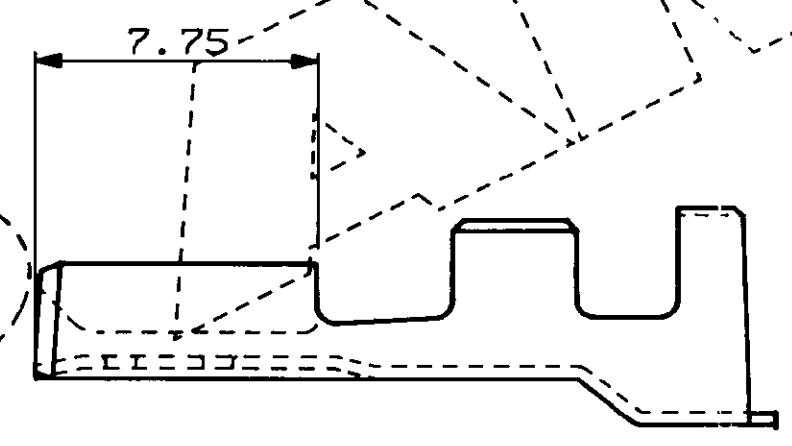
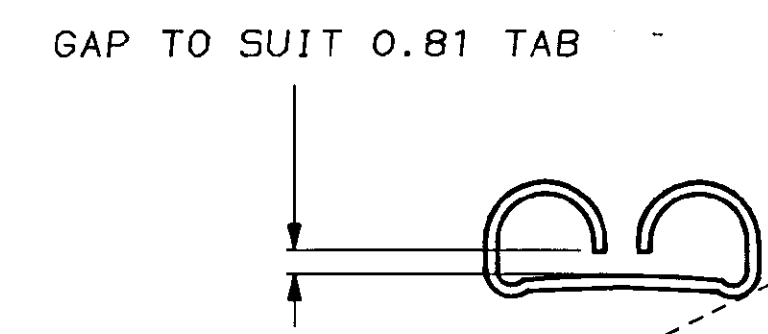
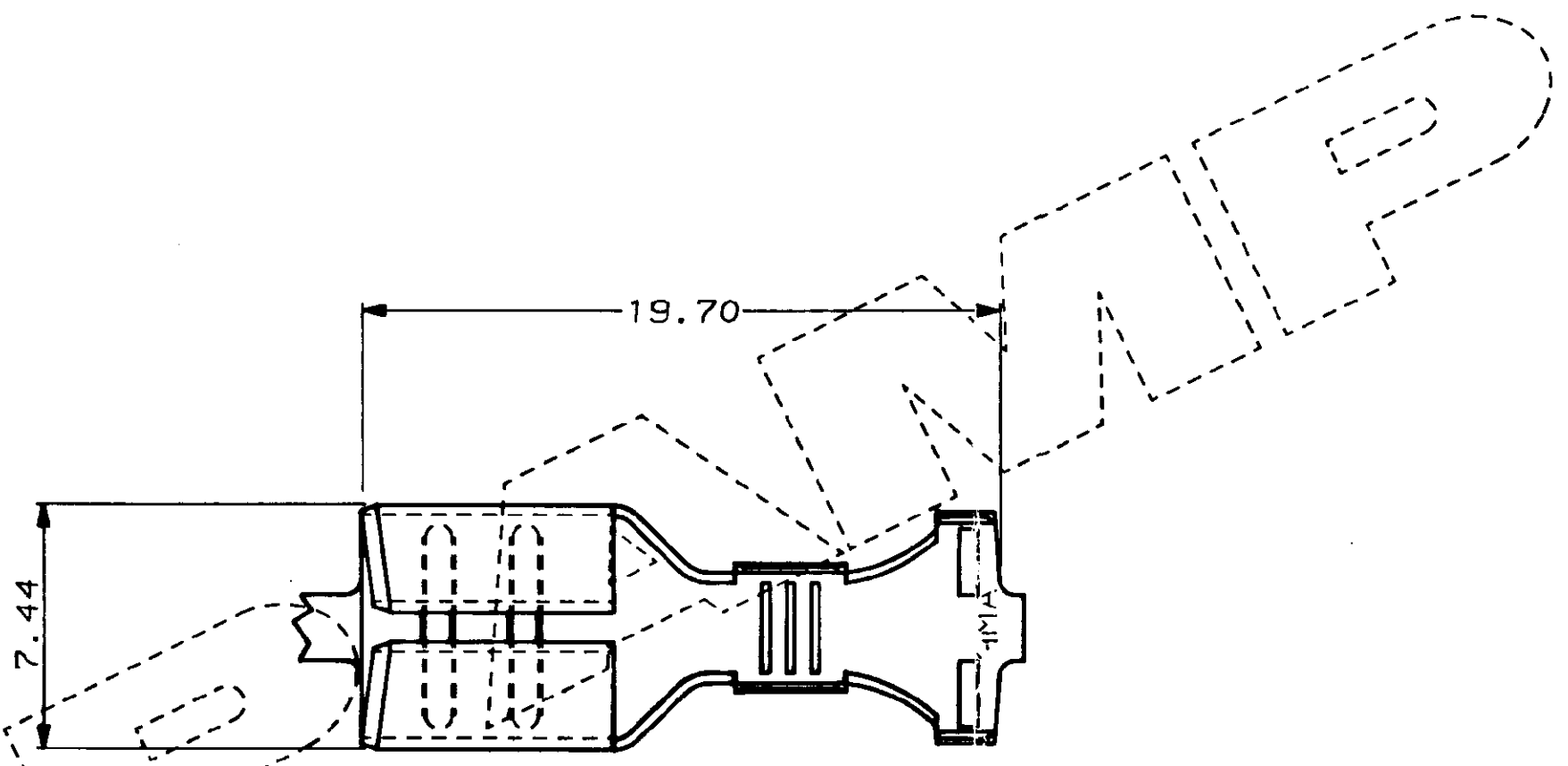



8 | 7 | 6 | 5 | 4 | 3 | 2 | 1

DO NOT SCALE DIMENSIONS IN MM. 

U.A.D. FILE CODE  
S.C344070.A



WIRE RANGE 0.50 TO 1.50 MM<sup>2</sup>  
 INS. RANGE 4.10 TO 5.50 MM DIA. INC. SEAL  
 (ONLY THIN WALLED CABLE 1.60 TO 2.40 MM DIA. IS SUITABLE)

TIN PLATED		BRASS		344070-1	
FINISH		MATERIAL		PART NUMBER	
CUSTOMER DWG FOR REFERENCE ONLY		©COPYRIGHT 1987 BY AMP OF GREAT BRITAIN LTD. ALL INTERNATIONAL RIGHTS RESERVED. ALL PRODUCTS MAY BE COVERED BY BRITISH AND FOREIGN PATENTS AND/OR PATENTS PENDING.		RELEASED FOR PUBLICATION 24/06/87	
-		TOLERANCES UNLESS OTHERWISE STATED: DEC ± 0.5 ANGLES ± 1°		DR. R. RUNAGALL. 24/06/87 CH. R. J. S. APP. B. J.	
-		 TERMINAL HOUSE STANMORE MIDDX.		-	
-		NAME .250 SERIES REC. HIGH CURRENT ECONOSEAL 3 (SEALED APPLICATIONS)		-	
B: EBAC-0029-03		R.S. 12.8.03		SCALE 5/1	LOC E
REV ECN		DRN DATE		SIZE A2	DWG.No. C344070
-		-		REV B	SHEET 1/1

FORMAT 22/05/85 8 | 7 | 6 | 5 | 4 | 3 | 2 | 1

单击下面可查看定价，库存，交付和生命周期等信息

[>>TE Connectivity\(泰科\)](#)