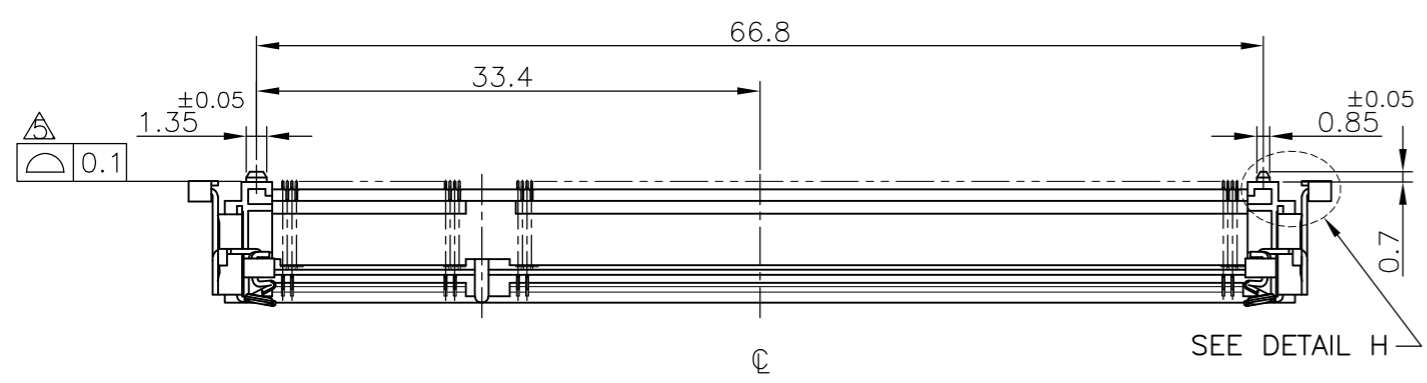
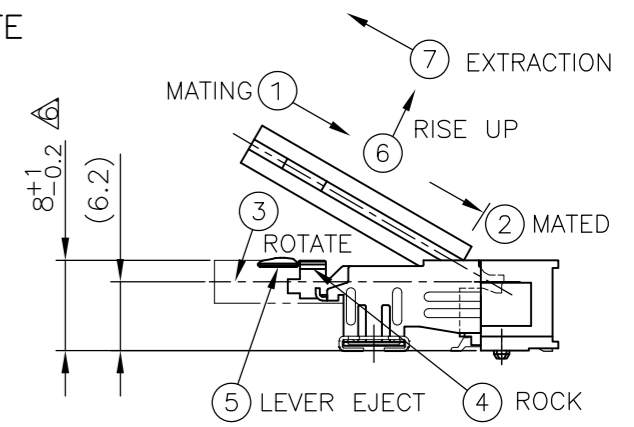
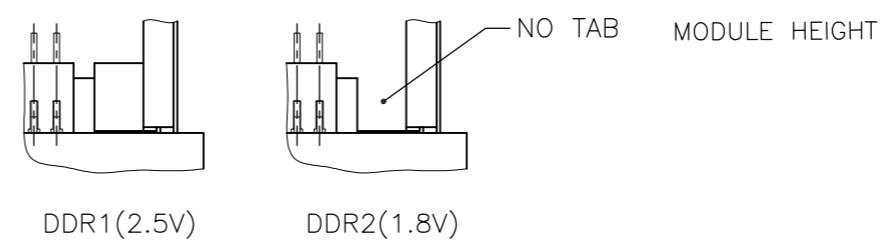
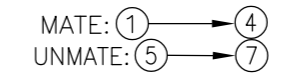


THIS DRAWING IS UNPUBLISHED. RELEASED FOR PUBLICATION NOV. 2002.
 © COPYRIGHT 2002 BY TYCO ELECTRONICS CORPORATION. ALL RIGHTS RESERVED.

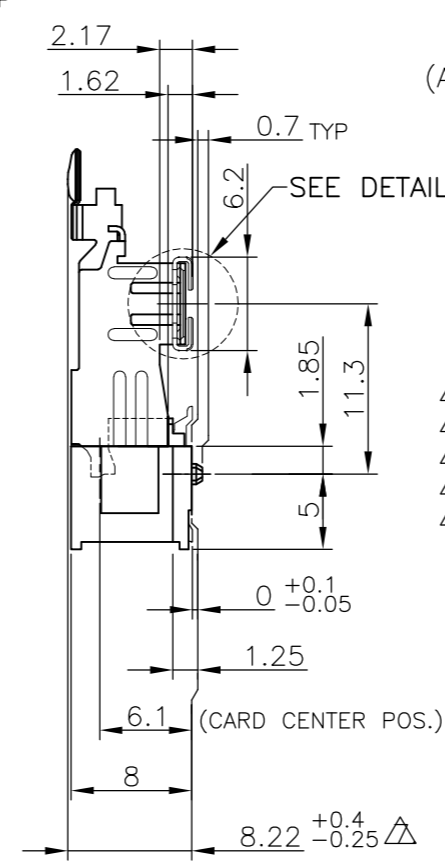
LOC	DIST	REVISIONS					
J		P	LTR	DESCRIPTION	DATE	DWN	APVD
		E1		ECR-10-014684	22JUL10	B.W	S.Y



HOW TO MATE AND UNMATE

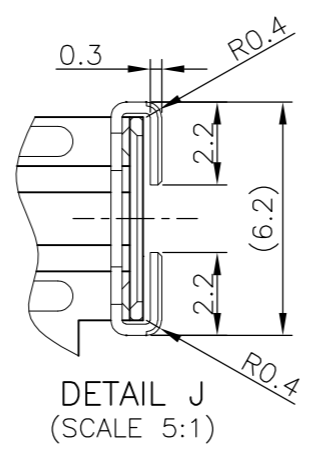
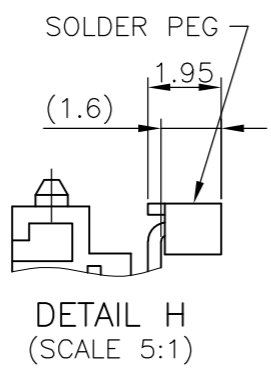
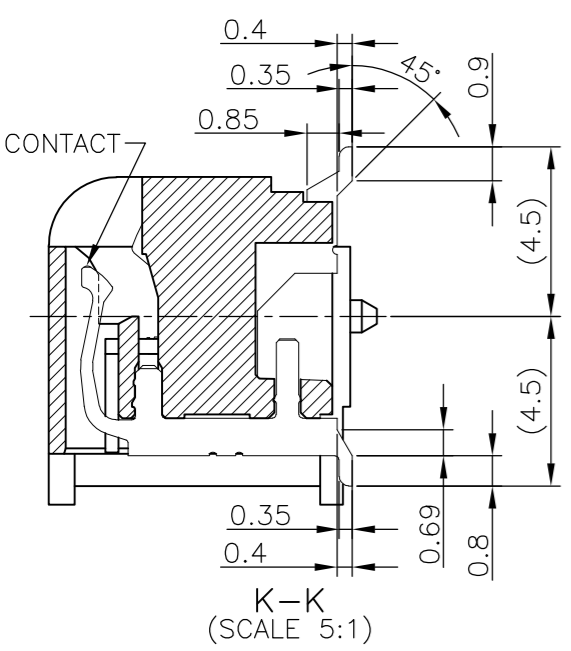
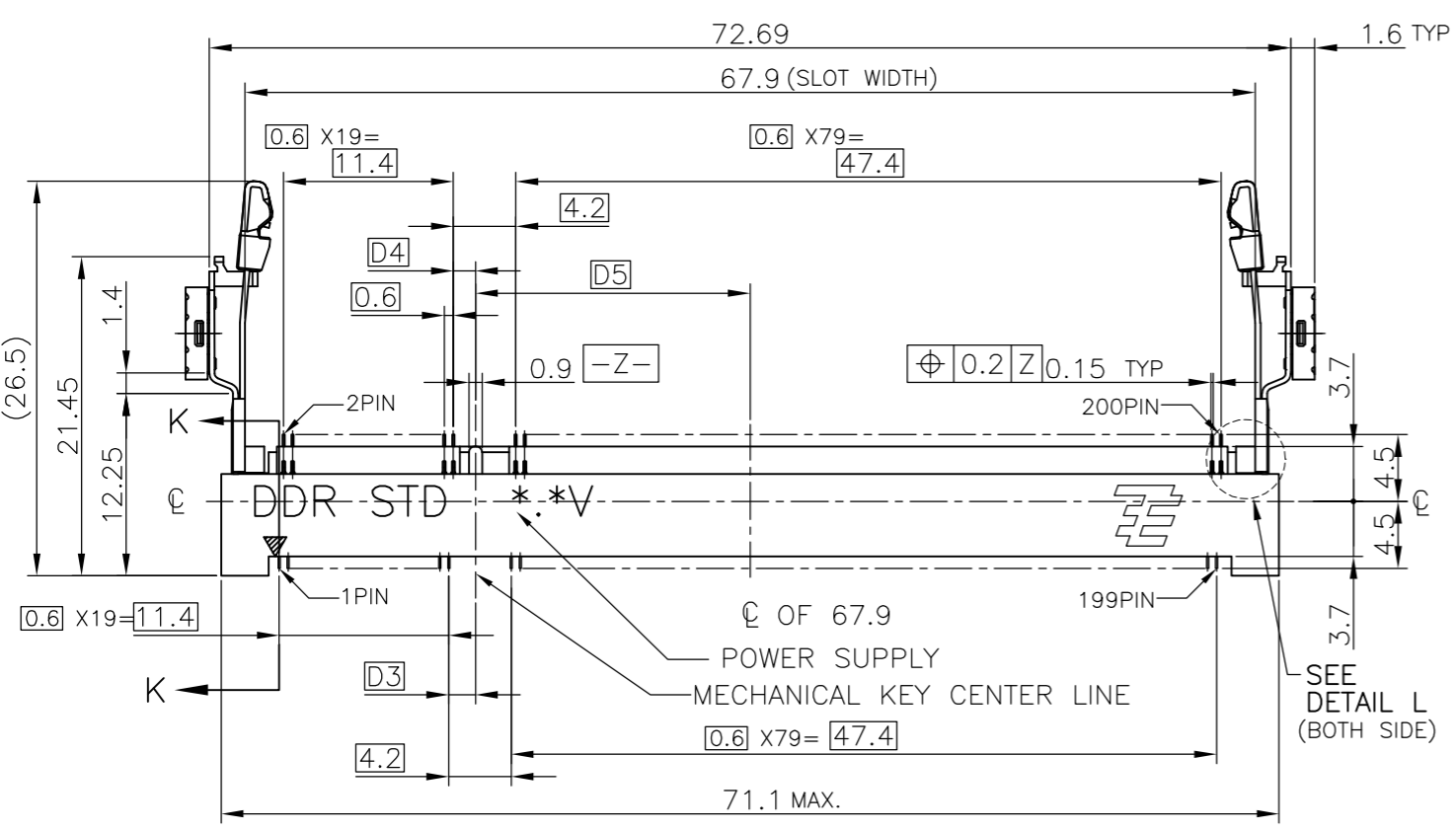


DETAIL L (SCALE 5:1)



(APPLIED TO SHEET 1-2)

- MATERIAL ; HOUSING: HIGH TEMPERATURE THERMO PLASTIC UL94V-0
 CONTACT: COPPER ARROY
 LOCK LEVER: STAINLESS STEEL
 SOLDER PEG: COPPER ARROY
 - FINISH ; CONTACT AREA: GOLD FLASH ON 0.0013MIN ALL OVER NICKEL.
 SOLDERING AREA: GOLD FLASH PLT.
 SOLDER PEG: TIN PLATING.
- △ MECHANICAL KEY POSITION OF CONNECTOR SEE TABLE.
 △ TOLERANCES NON-CUMULATIVE.
 △ COPLANARITY : 0.1 MAX.
 △ THE FLOATING VALUE BY SOLDERING IS NOT INCLUDED.
 △ NOT MATING CONDITION.
 8. IF THE MODULE DOESN'T INSERT AND LOCK IN THE LATCH SMOOTHLY, OPEN WIDE BOTH LATCHES BY MANUAL. AND THE MODULE MUST BE INSERTED AND LOCKED IN THE LATCH.



GENERAL TOLERANCE

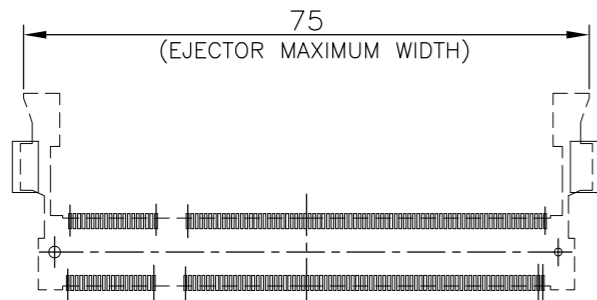
10 ≥ :	±0.2
30 ≥ > 10:	±0.25
100 ≥ > 30:	±0.3
ANGLES:	±3°

AVAILABLE	1.8V (DDR2)	17.55	2.4	2.7	200	1612619-4
AVAILABLE	2.5V (DDR1)	18.45	1.5	1.8	200	1612619-1
TOOLING STATUS	POWER SUPPLY (TYPE)	D5	D4	D3	POS	PART NO.

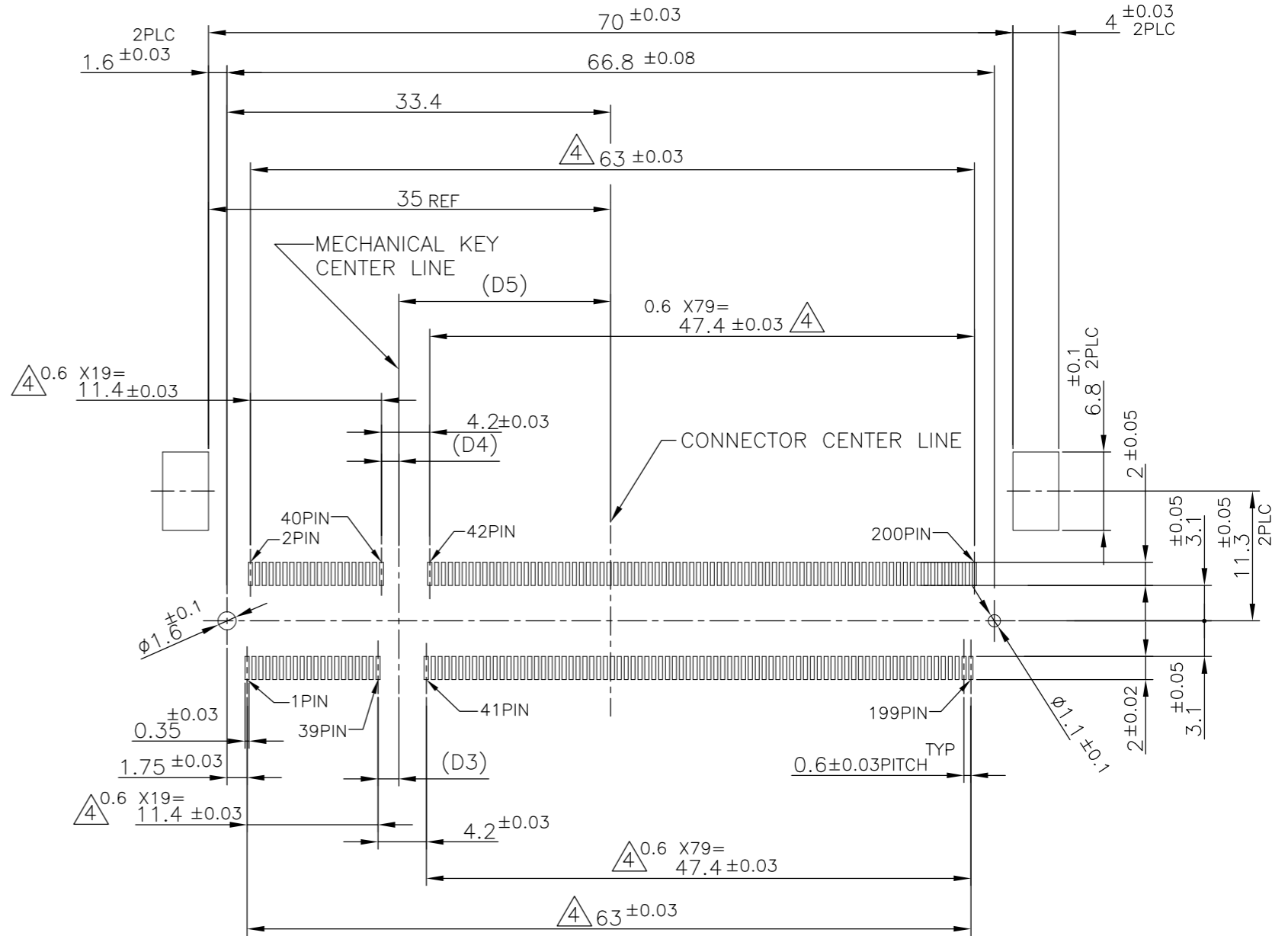
THIS DRAWING IS A CONTROLLED DOCUMENT.

DIMENSIONS: MM	TOLERANCES UNLESS OTHERWISE SPECIFIED:	DWN J.TANIGAWA 20NOV02	Tyco Electronics AMP K.K. Kawasaki, Japan
	0 PLC ±	CHK H.KODAMA 20NOV02	
	1 PLC ±	APVD I.ENOMOTO 20NOV02	
	2 PLC ±	NAME	
	3 PLC ±	PRODUCT SPEC	DDR1 & DDR2 SODIMM SOCKET
	4 PLC ±	APPLICATION SPEC	0.6mm PITCH 200POS
	ANGLES ±		8mm HEIGHT STANDARD TYPE
MATERIAL	FINISH	WEIGHT	SIZE CAGE CODE DRAWING NO RESTRICTED TO
			A3 00779 C-1612619
CUSTOMER DRAWING			SCALE 2:1 SHEET 1 OF 4 REV E1

LOC	DIST	REVISIONS			
P	LTR	DESCRIPTION	DATE	DWN	APVD
J		SEE SHEET 1	-	-	-



REAL SIZE (SCALE 1:1)

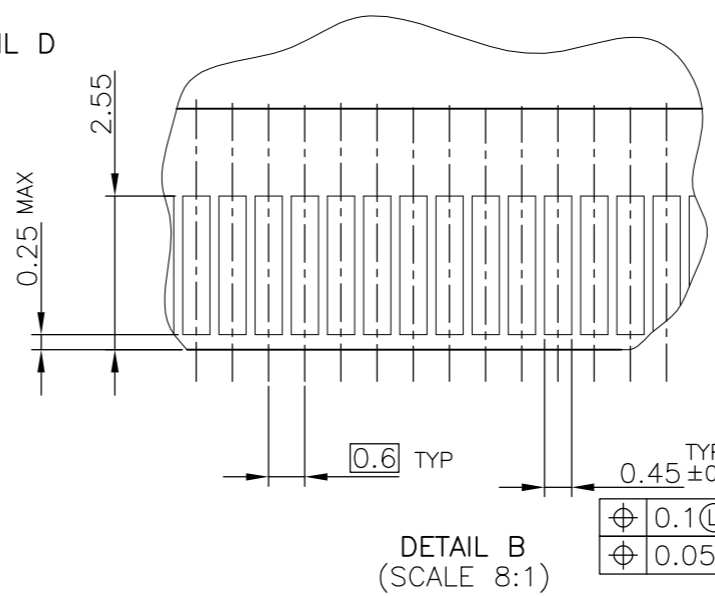
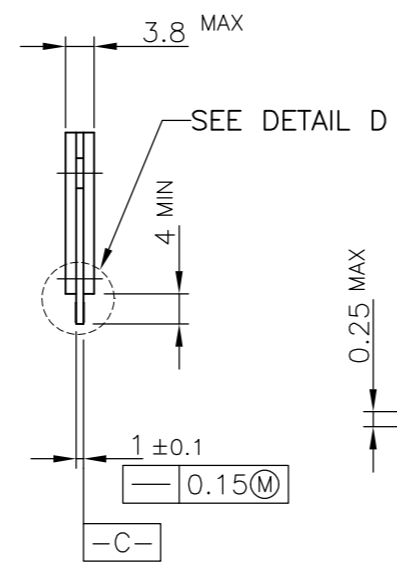
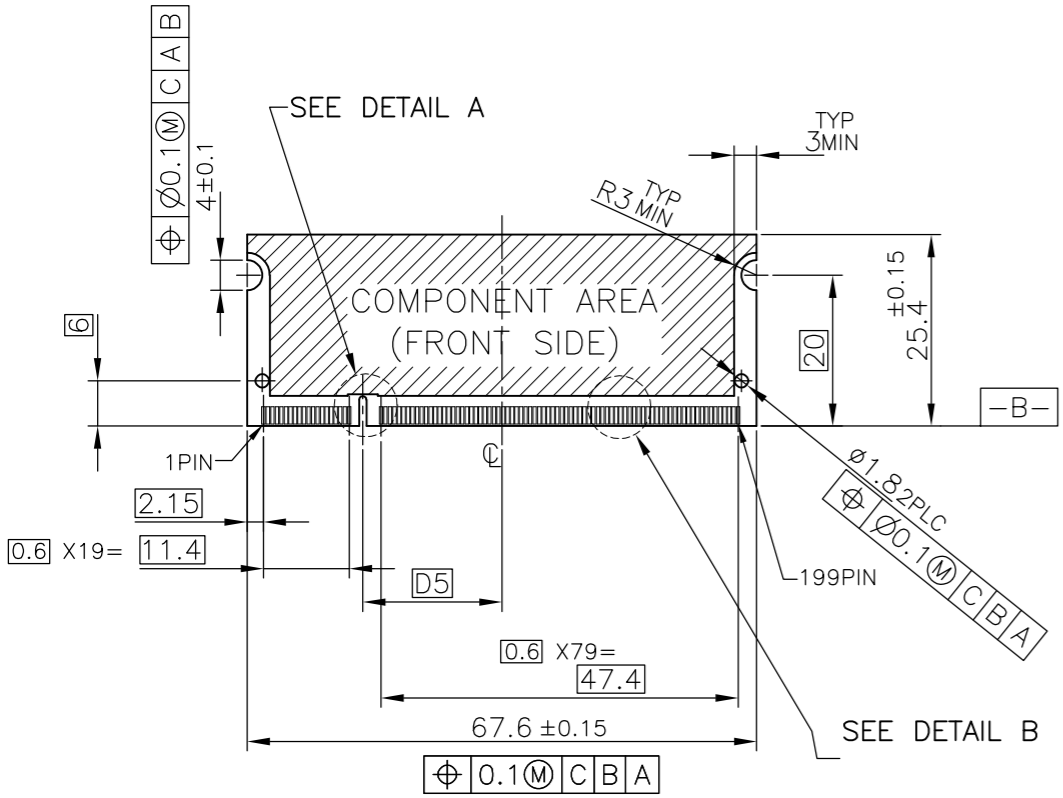


REFERENCE P.C.BOARD PATTERN LAYOUT FOR DUAL USE (CONNECTOR MOUNTING SIDE)

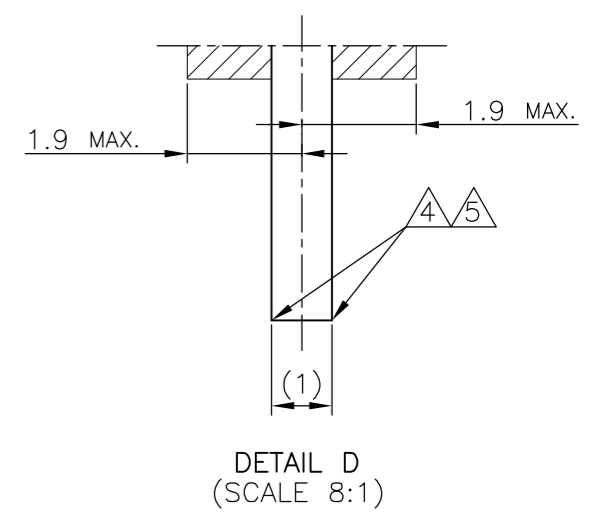
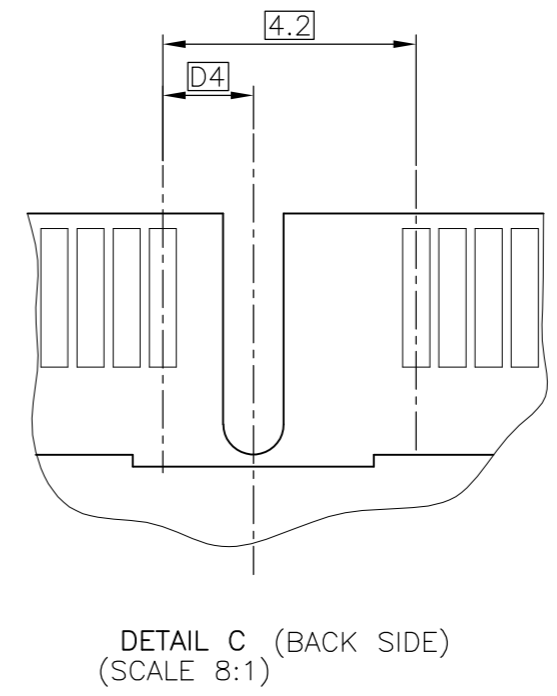
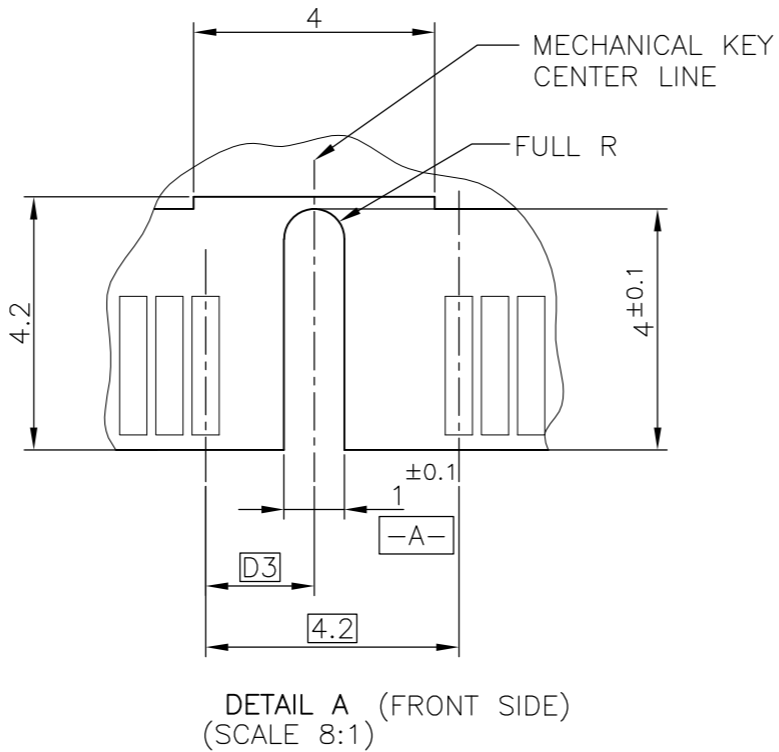
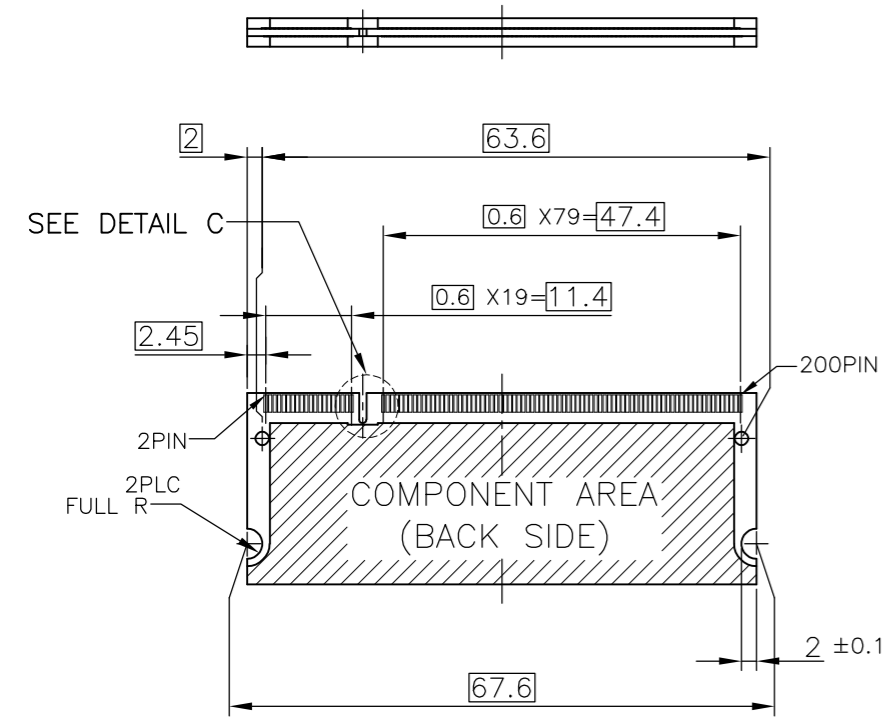
THIS DRAWING IS A CONTROLLED DOCUMENT.		DWN	Tyco Electronics Kawasaki, Japan		
DIMENSIONS: MM		CHK	NAME		
TOLERANCES UNLESS OTHERWISE SPECIFIED:		APVD	DDR1 & DDR2 SODIMM SOCKET 0.6mm PITCH 200POS 8mm HEIGHT STANDARD TYPE		
0 PLC ±		PRODUCT SPEC	SIZE	CAGE CODE	DRAWING NO
1 PLC ±		APPLICATION SPEC	A3	00779	1612619
2 PLC ±		WEIGHT	RESTRICTED TO		
3 PLC ±		CUSTOMER DRAWING	SCALE	SHEET	REV
4 PLC ±			2:1	2 OF 4	E1
ANGLES ±					
FINISH					

THIS DRAWING IS UNPUBLISHED. RELEASED FOR PUBLICATION NOV. 2002.
 © COPYRIGHT 2002 BY TYCO ELECTRONICS CORPORATION. ALL RIGHTS RESERVED.

LOC	DIST	REVISIONS			
P	LTR	DESCRIPTION	DATE	DWN	APVD
J		SEE SHEET 1	-	-	-



- (APPLIED TO SHEET 3)
1. TOLERANCES ON ALL DIMENSIONS ± 0.15 UNLESS OTHERWISE SPECIFIED.
 2. P.C.BOARD THICKNESS APPLIES ACROSS TABS AND INCLUDES PLATING AND/OR METALIZATION.
 3. FINISH OF PAD : GOLD PLATING 0.00076 MIN. OVER Ni PLATING 0.002MIN.
- ▲ NO BURR.
- ▲ CHAMFER 0.25 MAX x 45° IF EXIST.



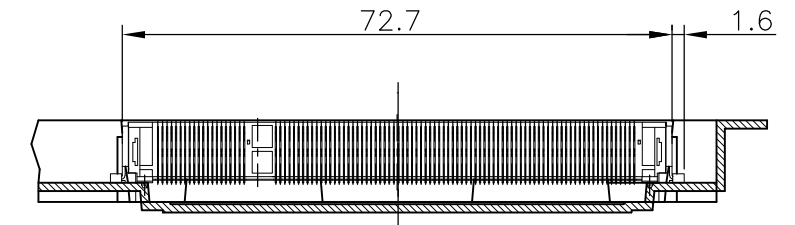
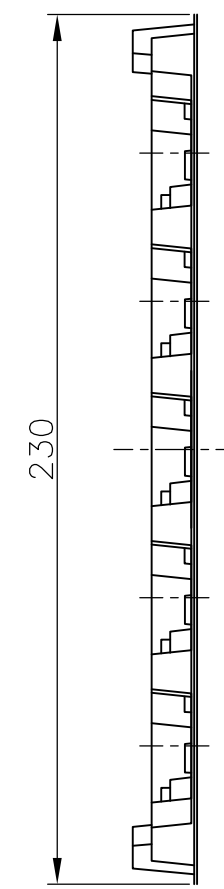
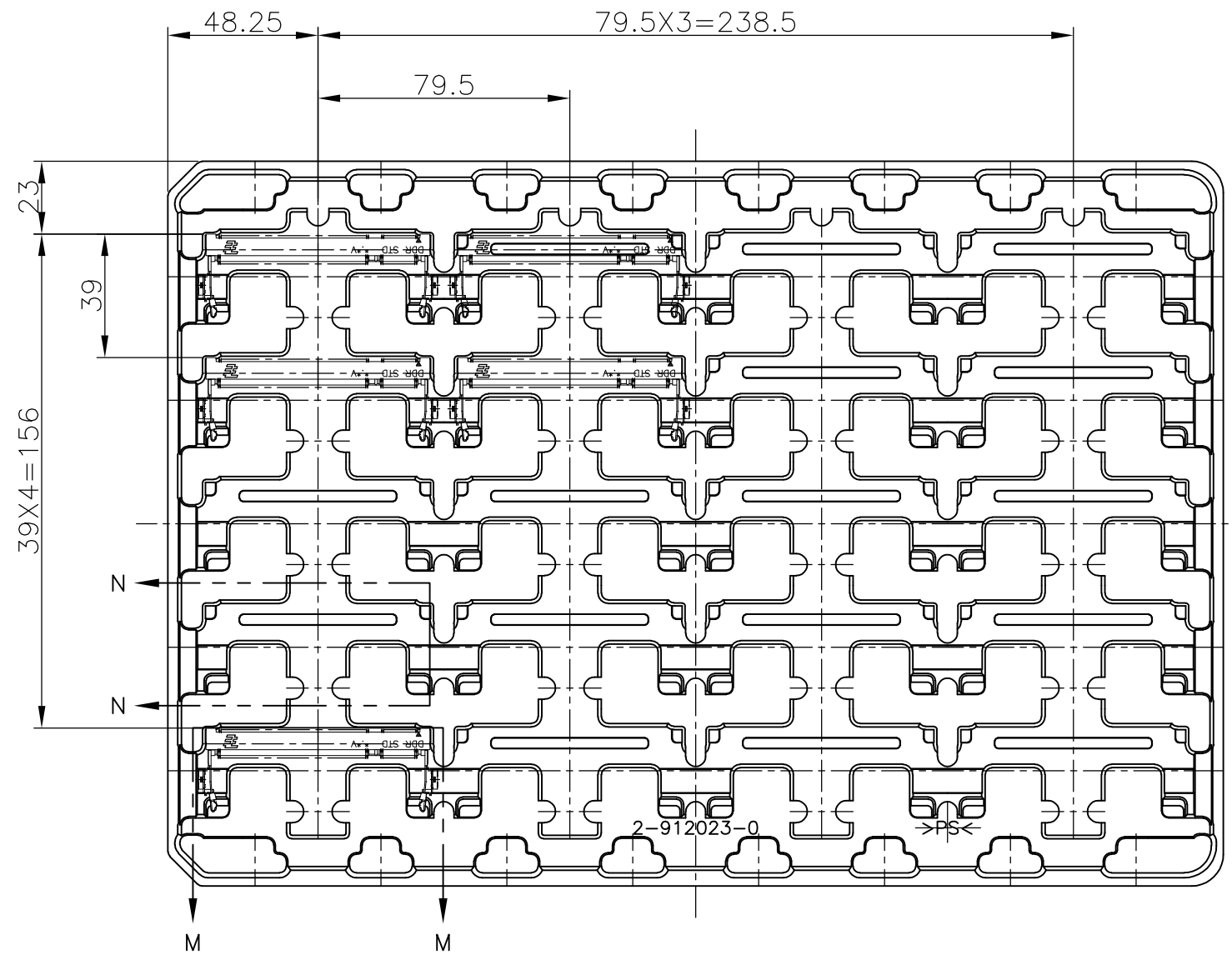
1.8V	17.55	2.4	2.7
2.5V	18.45	1.5	1.8
POWER SUPPLY	D5	D4	D3

推奨基板仕様
 RECOMMENDED MATING P.C.B CONFIGURATION

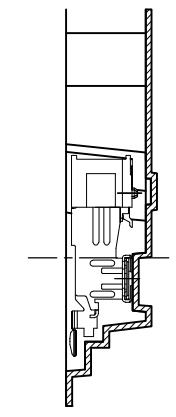
THIS DRAWING IS A CONTROLLED DOCUMENT.		DWN		Tyco Electronics		Tyco Electronics AMP K.K.	
DIMENSIONS: MM		TOLERANCES UNLESS OTHERWISE SPECIFIED:		NAME		Kawasaki, Japan	
0 PLC ±		1 PLC ±		PRODUCT SPEC		DDR1 & DDR2 SODIMM SOCKET	
2 PLC ±		3 PLC ±		APPLICATION SPEC		0.6mm PITCH 200POS	
4 PLC ±		ANGLES ±		WEIGHT		8mm HEIGHT STANDARD TYPE	
MATERIAL		FINISH		SIZE		RESTRICTED TO	
				A3			
				CAGE CODE			
				DRAWING NO			
				C-1612619			
				SCALE		SHEET	
				2:1		3 OF 4	
				CUSTOMER DRAWING		REV	
						E1	

THIS DRAWING IS UNPUBLISHED. RELEASED FOR PUBLICATION NOV , 2002.
 © COPYRIGHT 2002 BY TYCO ELECTRONICS CORPORATION. ALL RIGHTS RESERVED.

LOC	DIST	REVISIONS			
P	LTR	DESCRIPTION	DATE	DWN	APVD
J		SEE SHEET 1	-	-	-

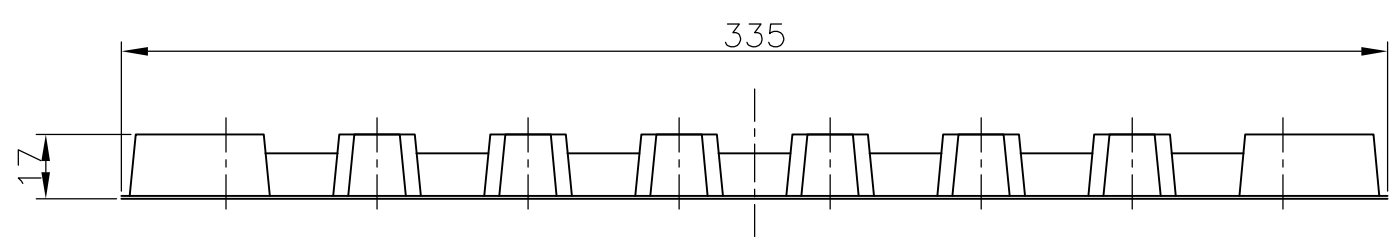


M-M
SCALE 1:1
(180DEG. ROTATE)



N-N
SCALE 1:1

1. THE DIRECTION OF EACH CONNECTOR ON A TRAY IS REFERRED TO THIS DRAWING.
2. GENERAL TOLERANCE: ±0.5



20EA/TRAY	1612619-4
20EA/TRAY	1612619-1
QTY	P/N

THIS DRAWING IS A CONTROLLED DOCUMENT.		DWN	Tyco Electronics Tyco Electronics AMP K.K. Kawasaki, Japan			
DIMENSIONS: MM		CHK				
TOLERANCES UNLESS OTHERWISE SPECIFIED:		APVD	NAME			
0 PLC ± 0.5		PRODUCT SPEC	DDR1 & DDR2 SODIMM SOCKET			
1 PLC ± 0.5		APPLICATION SPEC	0.6mm PITCH 200POS			
2 PLC ± 0.5		WEIGHT	SIZE	CAGE CODE	DRAWING NO	RESTRICTED TO
3 PLC ± 0.5			A3	00779	C-1612619	
4 PLC ± 0.5		CUSTOMER DRAWING		SCALE	SHEET	REV
ANGLES ± 3'				1:2	4 OF 4	E1
FINISH						

单击下面可查看定价，库存，交付和生命周期等信息

[>>TE Connectivity\(泰科\)](#)