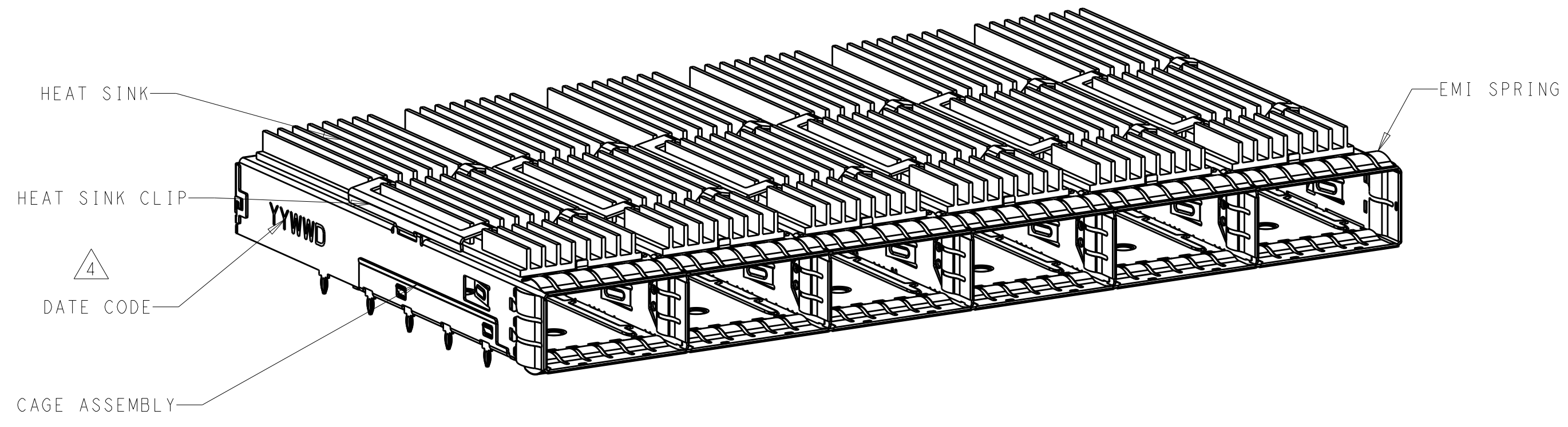
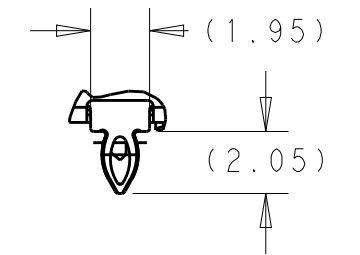
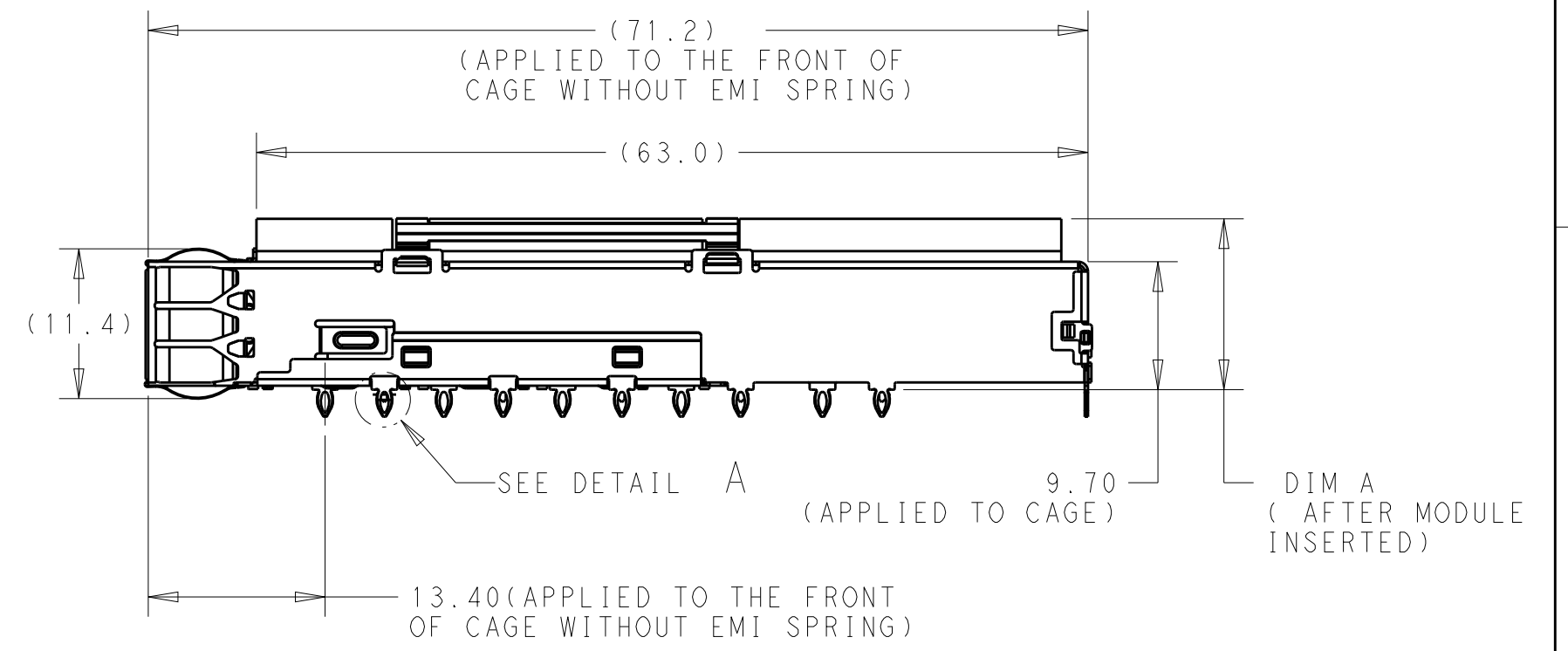
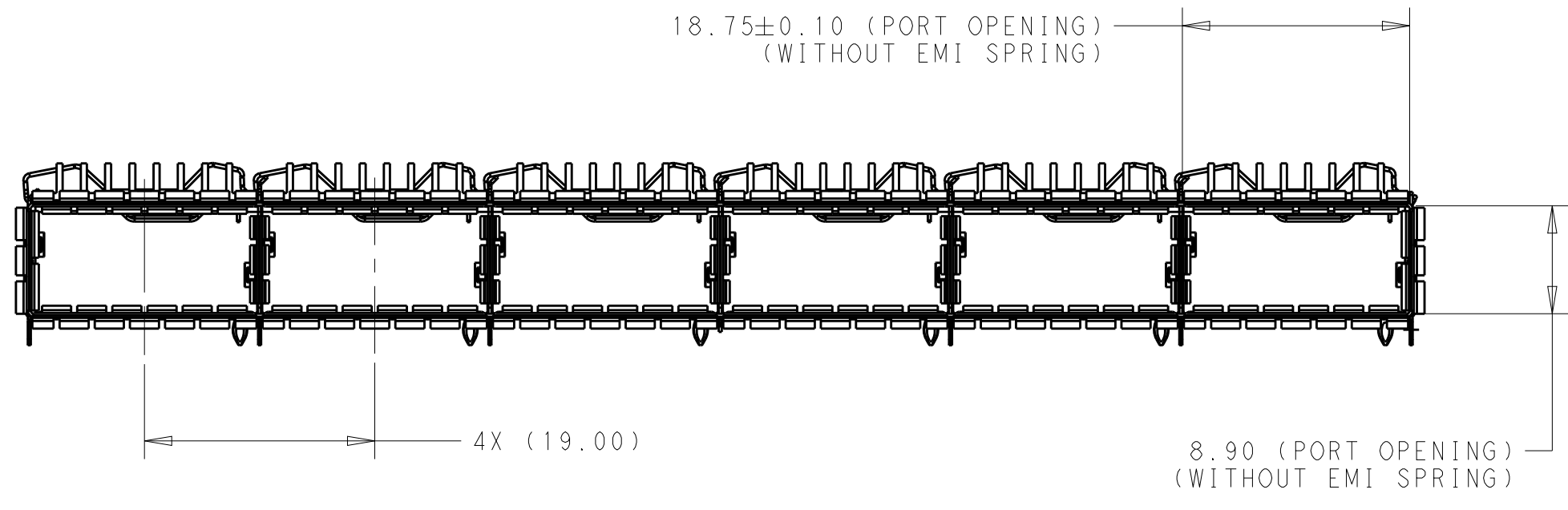


THIS DRAWING IS UNPUBLISHED. RELEASED FOR PUBLICATION 20
 © COPYRIGHT 20 BY - ALL RIGHTS RESERVED.

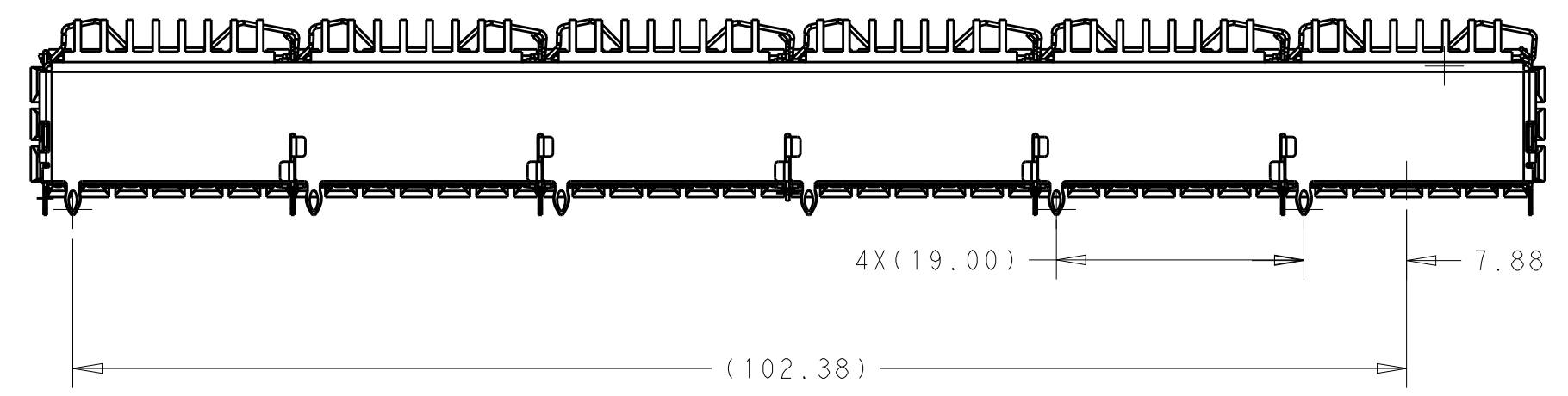
| REVISIONS | | | | |
|-----------|-----|--------------------------------|-----------|-------|
| P | LTR | DESCRIPTION | DATE | APVD |
| 1 | | INITIAL RELEASE | 23AUG2018 | SH SH |
| 2 | | ADDED DIMENSION FOR PLUGGED IN | 09NOV2018 | SH SH |
| A | | INITIAL RELEASE | 12JUN2019 | SH SH |



- 1 CAGE ASSEMBLY: STAINLESS STEEL
HEAT SINK: ALUMINUM/ANODIZED BLACK
HEAT SINK CLIP: STAINLESS STEEL
EMI SPRING: COPPER ALLOY/ NICKEL PLATED
- 2 REFERENCE APPLICATION SPECIFICATION 114-60025 FOR RECOMMENDED DRILL HOLE DIAMETER AND PLATING THICKNESS. BOARD LAYOUT PER THIS PRINT.
- 3 DATUM AND BASIC DIMENSION ESTABLISHED BY CUSTOMER
- 4 DATE CODE(YYWWD) MARKED APPROXIMATELY AS SHOWN.
- 5. MATES WIHT QSFP-DD MSA COMPATIBLE TRANSCEIVER.
- 6. MINIMUM PC BOARD THICKNESS:
SINGLE SIDED: 1.57 MIN
DOUBLE SIDED: 3.00 MIN



DETAIL A
SCALE 4:1



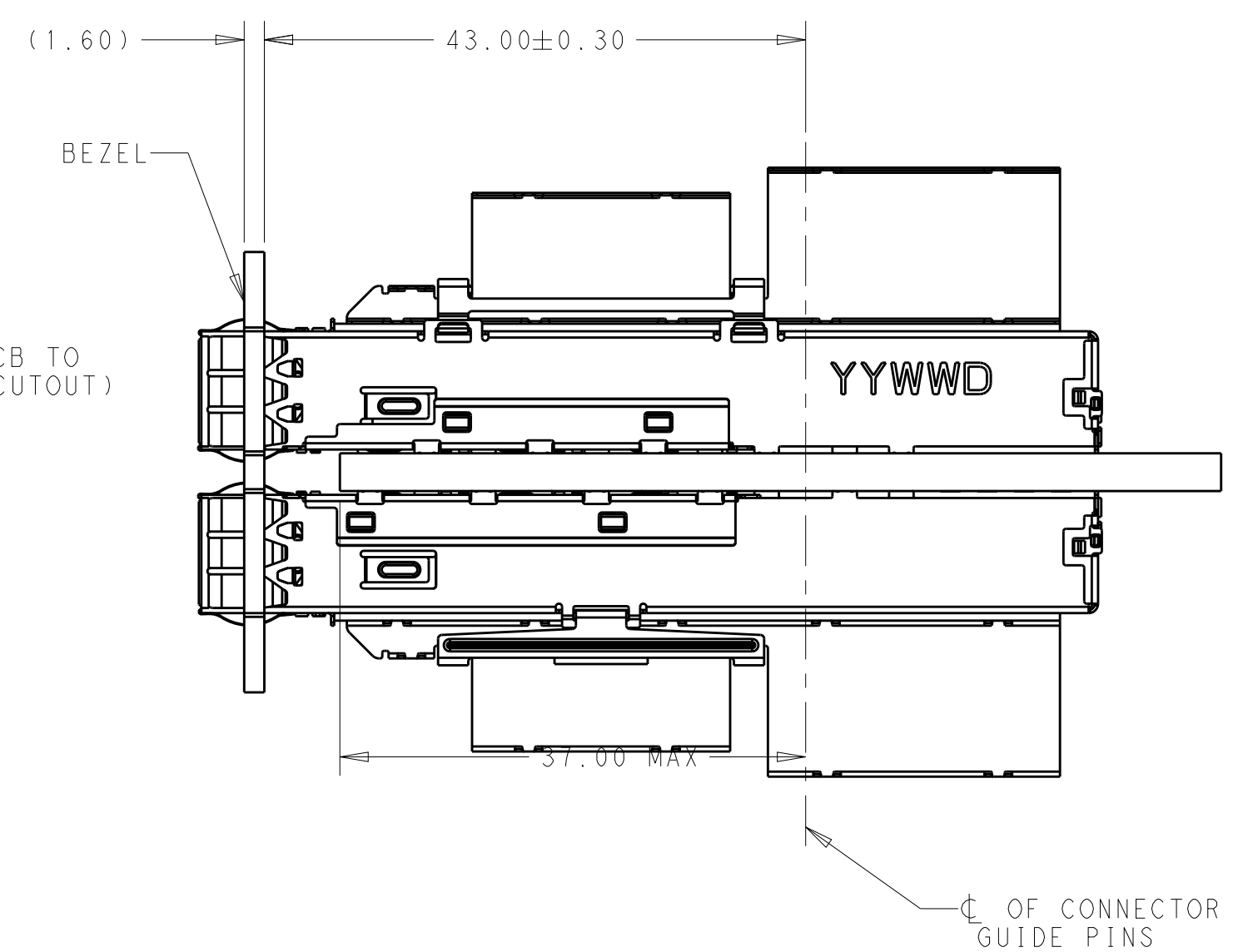
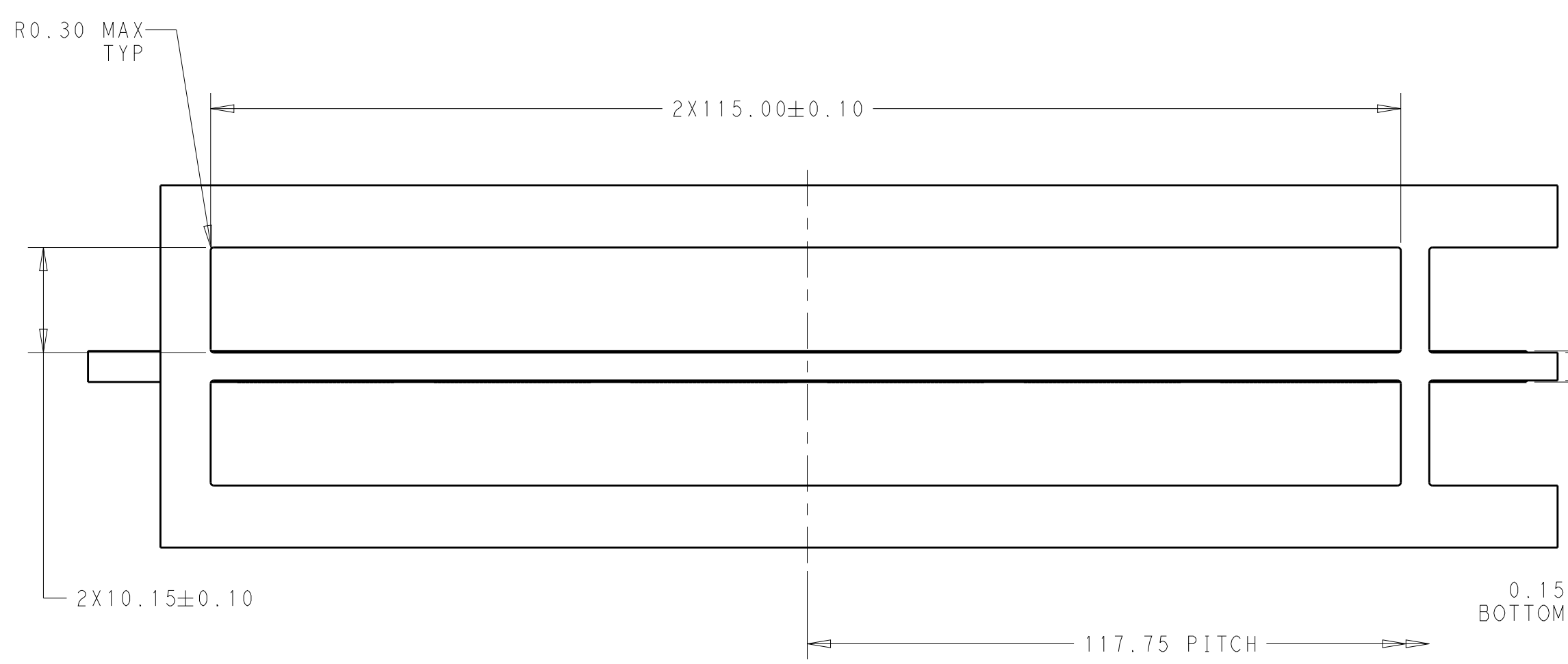
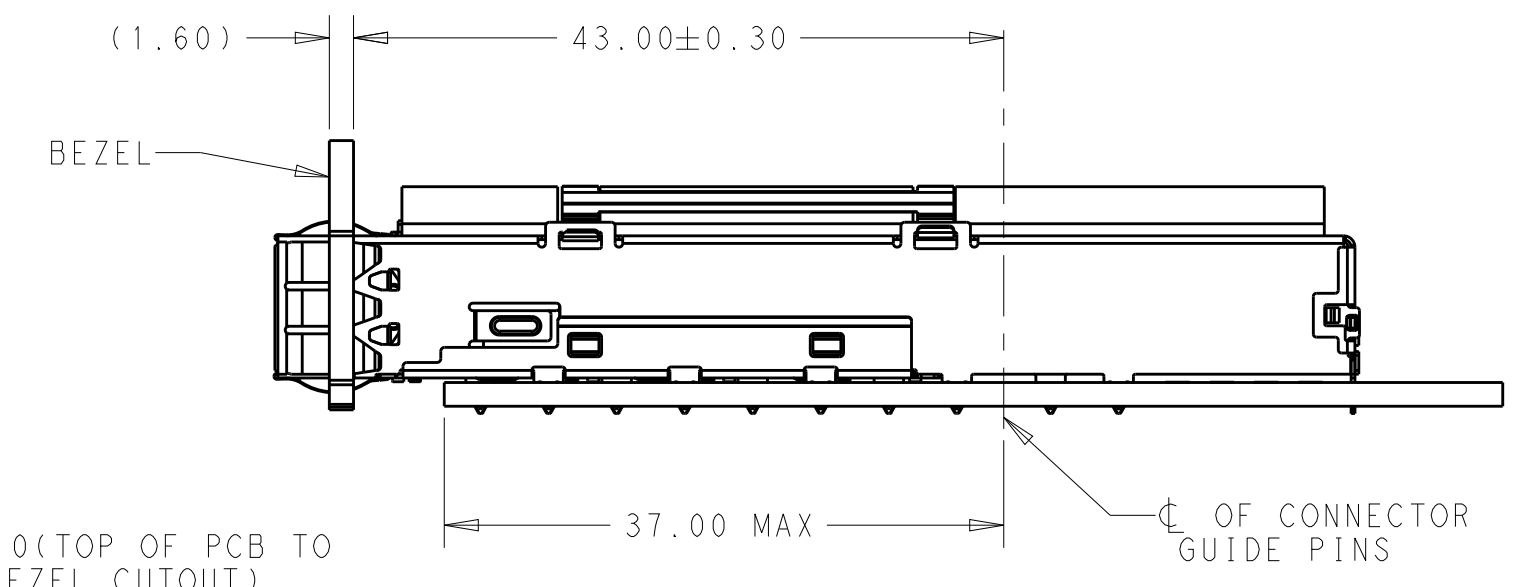
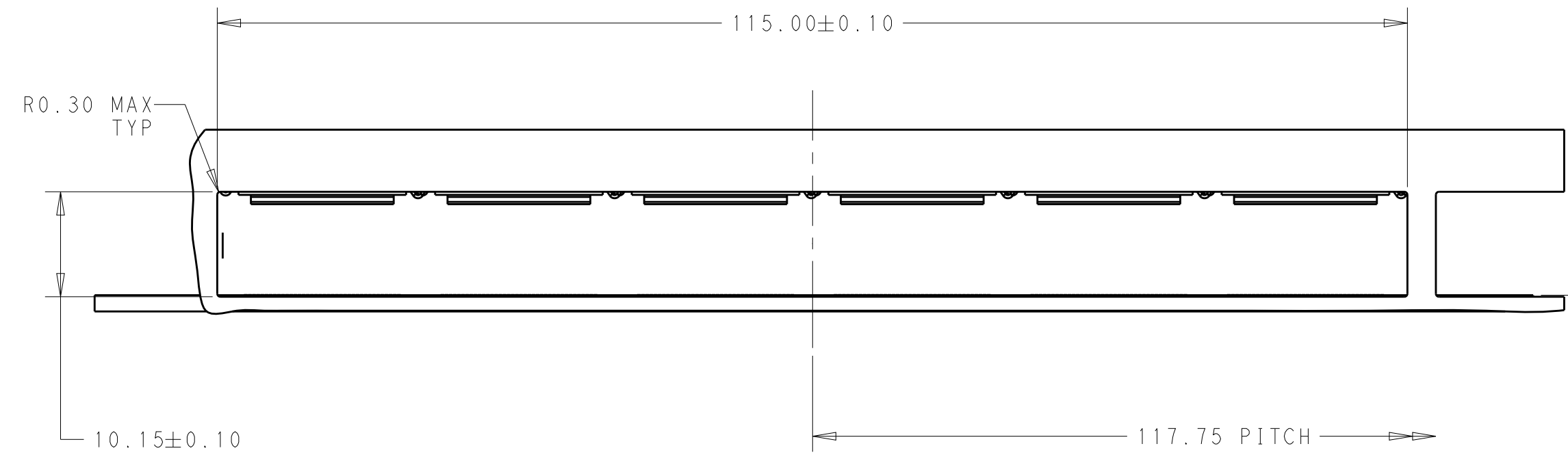
SCALE 2:1


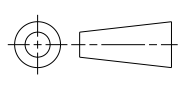
| | | | | |
|------------------|-------|-------------|-----------------------|------|
| NET | 23.00 | 2342891-3 | CAGE ASSY WITH NET HS | 3 |
| SAN | 16.00 | 2342891-2 | CAGE ASSY WITH SAN HS | 2 |
| PCI | 13.70 | 2342891-1 | CAGE ASSY WITH PCI HS | 1 |
| HS SPECIFICATION | DIM A | PART NUMBER | DESCRIPTION | ITEM |

| | | | | | | | | | | | | | | | | | |
|--|-------|-----------------------|-------------|----------------------------|-------|-------|-------|-------|-------|---|-------|---|--------|----|--------|---|-------------------|
| THIS DRAWING IS A CONTROLLED DOCUMENT. | | DWN STEPHEN HE | 23AUG2018 | STE TE Connectivity | | | | | | | | | | | | | |
| DIMENSIONS: mm | | CHK SEAN HAN | 23AUG2018 | | | | | | | | | | | | | | |
| TOLERANCES UNLESS OTHERWISE SPECIFIED: | | APVD SEAN HAN | 23AUG2018 | | | | | | | | | | | | | | |
| <table border="1"> <tr><td>0 PLC</td><td>±0.25</td></tr> <tr><td>1 PLC</td><td>±0.25</td></tr> <tr><td>2 PLC</td><td>±0.25</td></tr> <tr><td>3 PLC</td><td>±</td></tr> <tr><td>4 PLC</td><td>±</td></tr> <tr><td>ANGLES</td><td>±1</td></tr> <tr><td>FINISH</td><td>-</td></tr> </table> | | 0 PLC | ±0.25 | | 1 PLC | ±0.25 | 2 PLC | ±0.25 | 3 PLC | ± | 4 PLC | ± | ANGLES | ±1 | FINISH | - | PRODUCT SPEC - |
| 0 PLC | ±0.25 | | | | | | | | | | | | | | | | |
| 1 PLC | ±0.25 | | | | | | | | | | | | | | | | |
| 2 PLC | ±0.25 | | | | | | | | | | | | | | | | |
| 3 PLC | ± | | | | | | | | | | | | | | | | |
| 4 PLC | ± | | | | | | | | | | | | | | | | |
| ANGLES | ±1 | | | | | | | | | | | | | | | | |
| FINISH | - | | | | | | | | | | | | | | | | |
| MATERIAL | - | APPLICATION SPEC - | WEIGHT - | SIZE A2 | | | | | | | | | | | | | |
| CUSTOMER DRAWING | | SCALE 1:1 | | DRAWING NO C-2342891 | | | | | | | | | | | | | |
| | | SHEET 1 OF 5 | | RESTRICTED TO - | | | | | | | | | | | | | |
| | | | | REV A | | | | | | | | | | | | | |

THIS DRAWING IS UNPUBLISHED. RELEASED FOR PUBLICATION 20
 © COPYRIGHT 20 BY - ALL RIGHTS RESERVED.

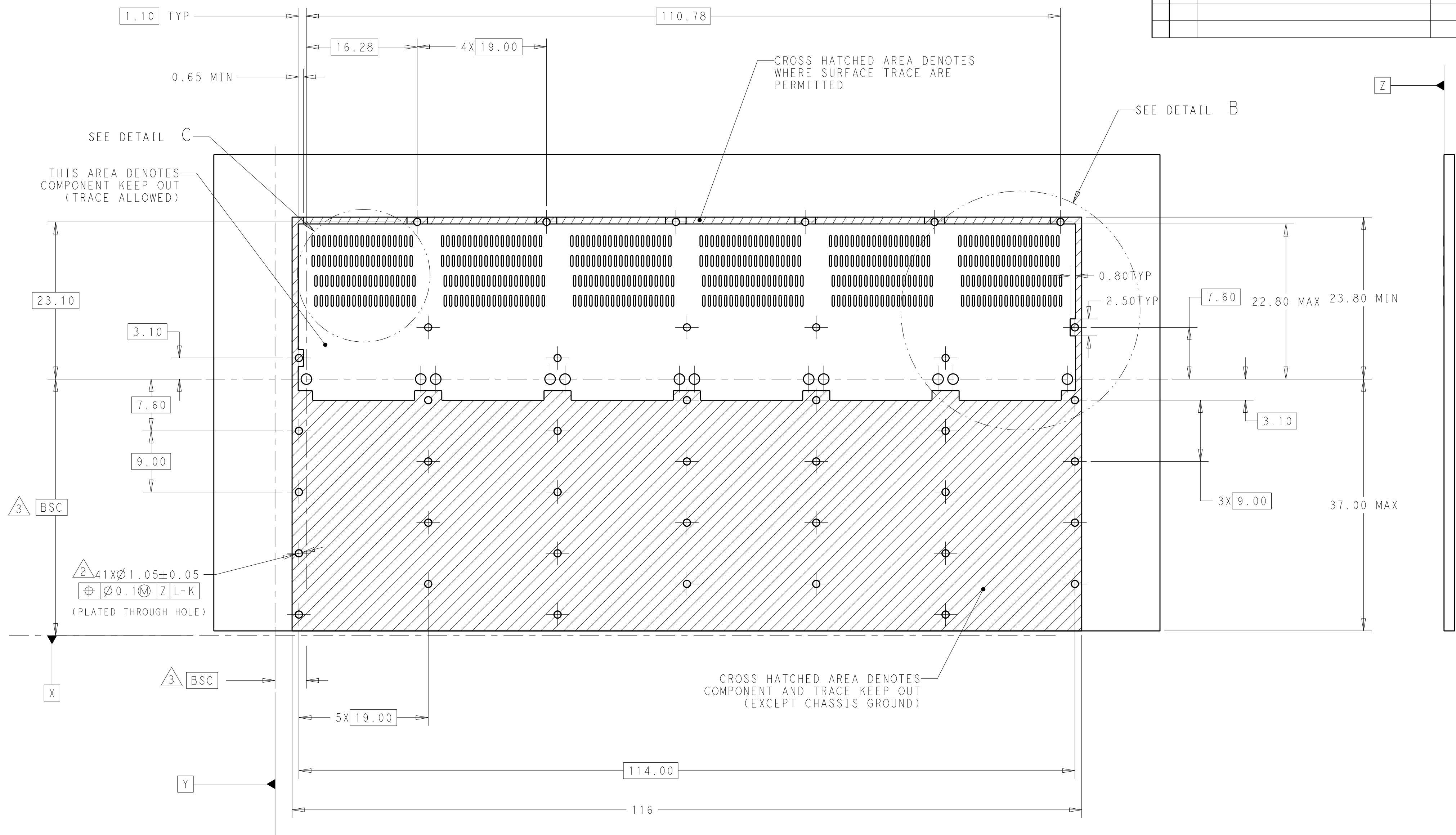
| REVISIONS | | | | |
|-----------|-----|-------------|------|------|
| P | LTR | DESCRIPTION | DATE | APVD |
| - | - | SEE SHEET 1 | - | - |
| | | | | |
| | | | | |



| | | | | |
|---|--|-----------------------------|---|-----------------|
| THIS DRAWING IS A CONTROLLED DOCUMENT. | | DWN 23AUG2018 STEPHEN HE |  TE Connectivity | |
| DIMENSIONS: | | CHK 23AUG2018 SEAN HAN | | |
| mm | TOLERANCES UNLESS OTHERWISE SPECIFIED: | APVD 23AUG2018 SEAN HAN | NAME CAGE ASSEMBLY WIHT HEAT SINK FOR GM QSFP-DD 1X6 EXTRUSION | |
|  | 0 PLC ±0.25 1 PLC ±0.25 2 PLC ±0.25 3 PLC ± 4 PLC ± ANGLES ±1 FINISH - | PRODUCT SPEC - | SIZE A2 | CAGE CODE - |
| MATERIAL - | - | APPLICATION SPEC - | DRAWING NO C-2342891 | RESTRICTED TO - |
| - | - | WEIGHT - | SCALE 1:1 | SHEET 2 OF 5 |
| CUSTOMER DRAWING | | | REV A | |

THIS DRAWING IS UNPUBLISHED. RELEASED FOR PUBLICATION 20
 © COPYRIGHT 20 BY - ALL RIGHTS RESERVED.

| REVISIONS | | | | |
|-----------|-----|-------------|------|------|
| P | LTR | DESCRIPTION | DATE | APVD |
| - | - | SEE SHEET 1 | - | - |
| | | | | |
| | | | | |

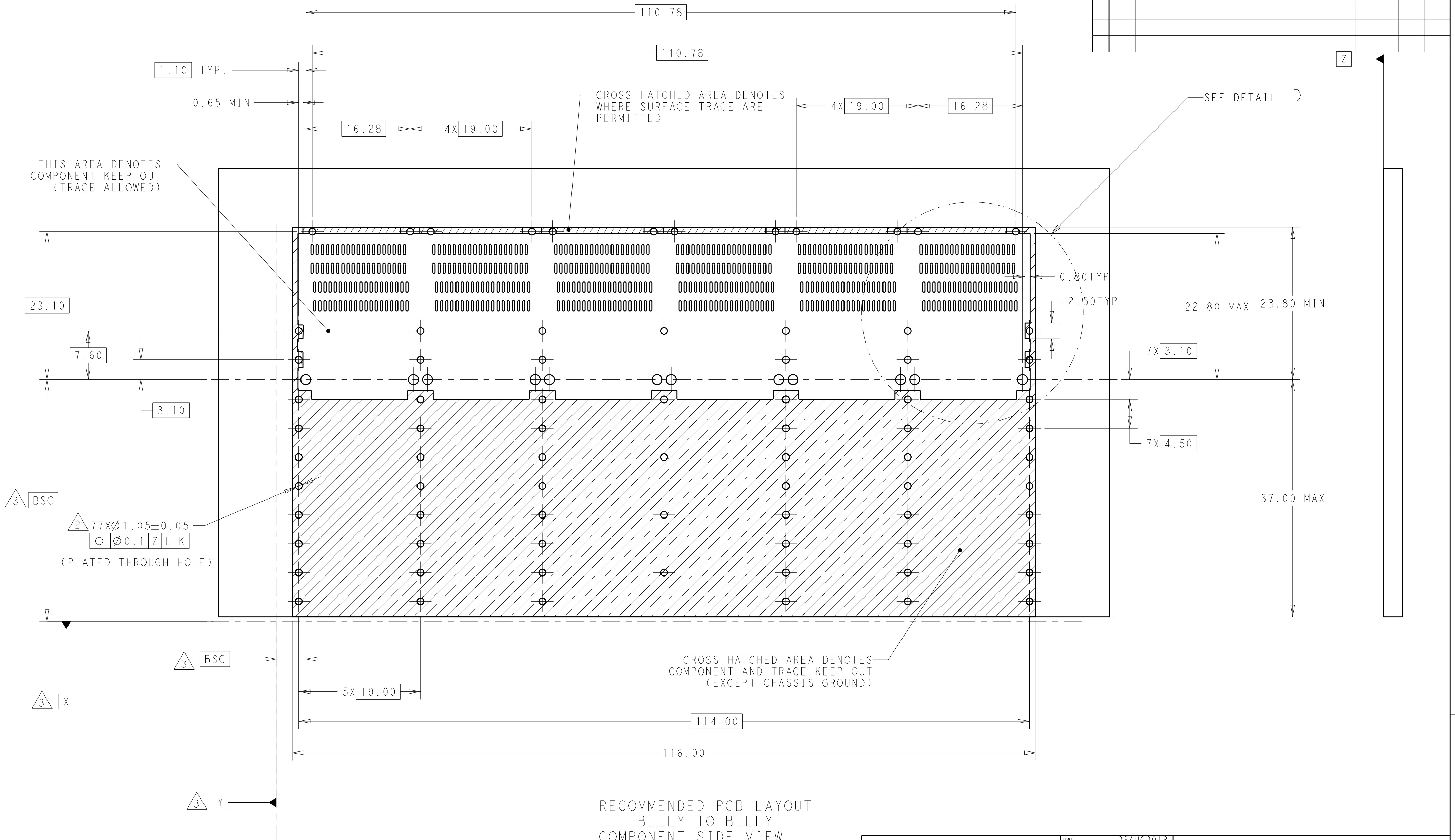


RECOMMENDED PCB LAYOUT
 SINGLE TYPE
 COMPONENT SIDE VIEW

| | | | | |
|--|--|--------------------------------|--|--------------------|
| THIS DRAWING IS A CONTROLLED DOCUMENT. | | DWN STEPHEN HE 23AUG2018 | TE Connectivity | |
| DIMENSIONS: mm | | CHK SEAN HAN 23AUG2018 | | |
| TOLERANCES UNLESS OTHERWISE SPECIFIED: | | APVD SEAN HAN 23AUG2018 | NAME CAGE ASSEMBLY WIHT HEAT SINK FOR GM QSFP-DD 1X6 EXTRUSION | |
| 0 PLC ±0.25 1 PLC ±0.25 2 PLC ±0.25 3 PLC ± 4 PLC ± ANGLES ±1 FINISH - | | PRODUCT SPEC - | SIZE A2 | CAGE CODE - |
| MATERIAL - | | APPLICATION SPEC - | DRAWING NO C-2342891 | RESTRICTED TO - |
| - | | WEIGHT - | SCALE 1:1 | SHEET 3 OF 5 |
| - | | CUSTOMER DRAWING | REV A | |

THIS DRAWING IS UNPUBLISHED. RELEASED FOR PUBLICATION 20
 © COPYRIGHT 20 BY - ALL RIGHTS RESERVED.

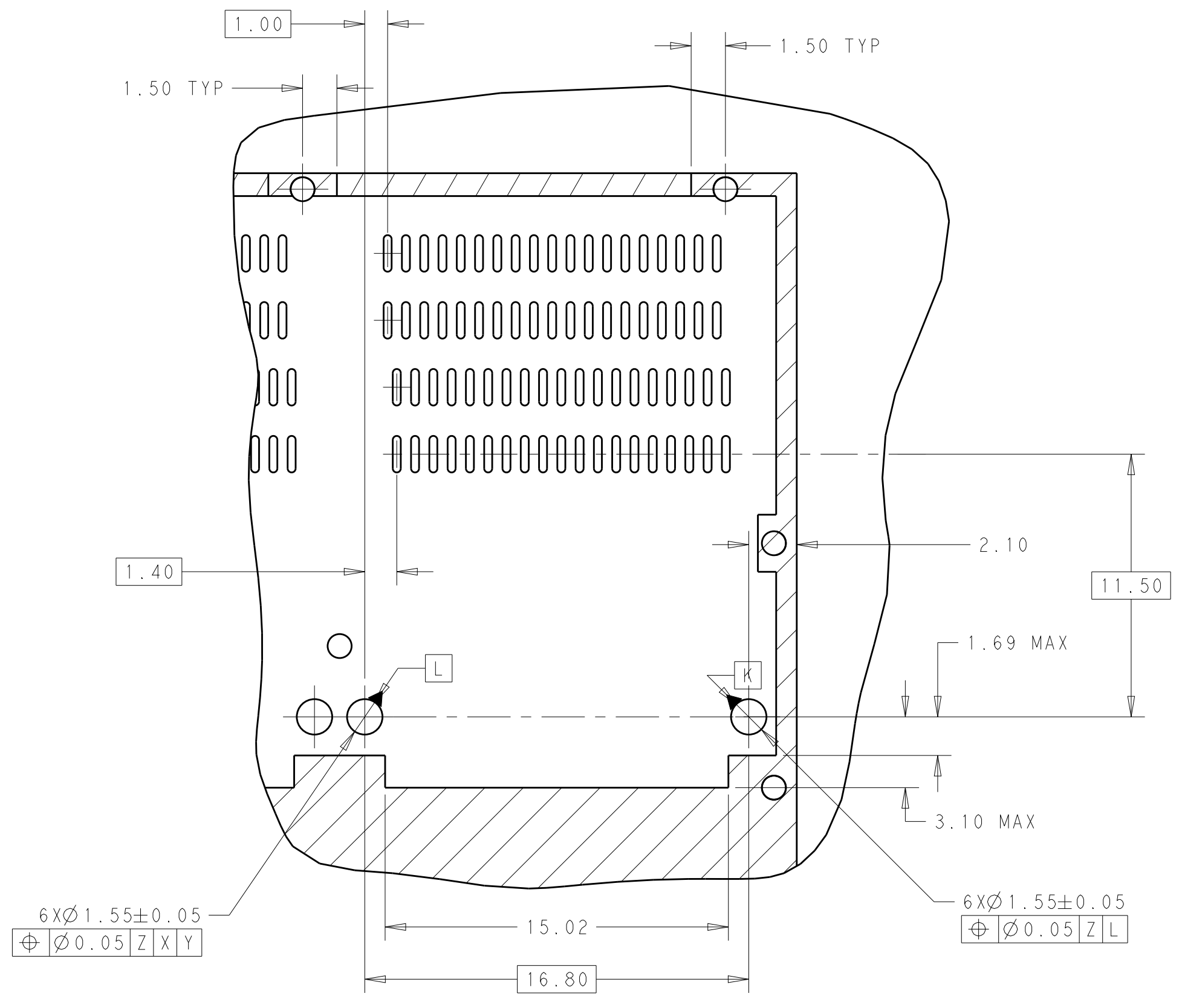
| REVISIONS | | | | |
|-----------|-----|-------------|------|------|
| P | LTR | DESCRIPTION | DATE | APVD |
| - | - | SEE SHEET 1 | - | - |
| | | | | |
| | | | | |



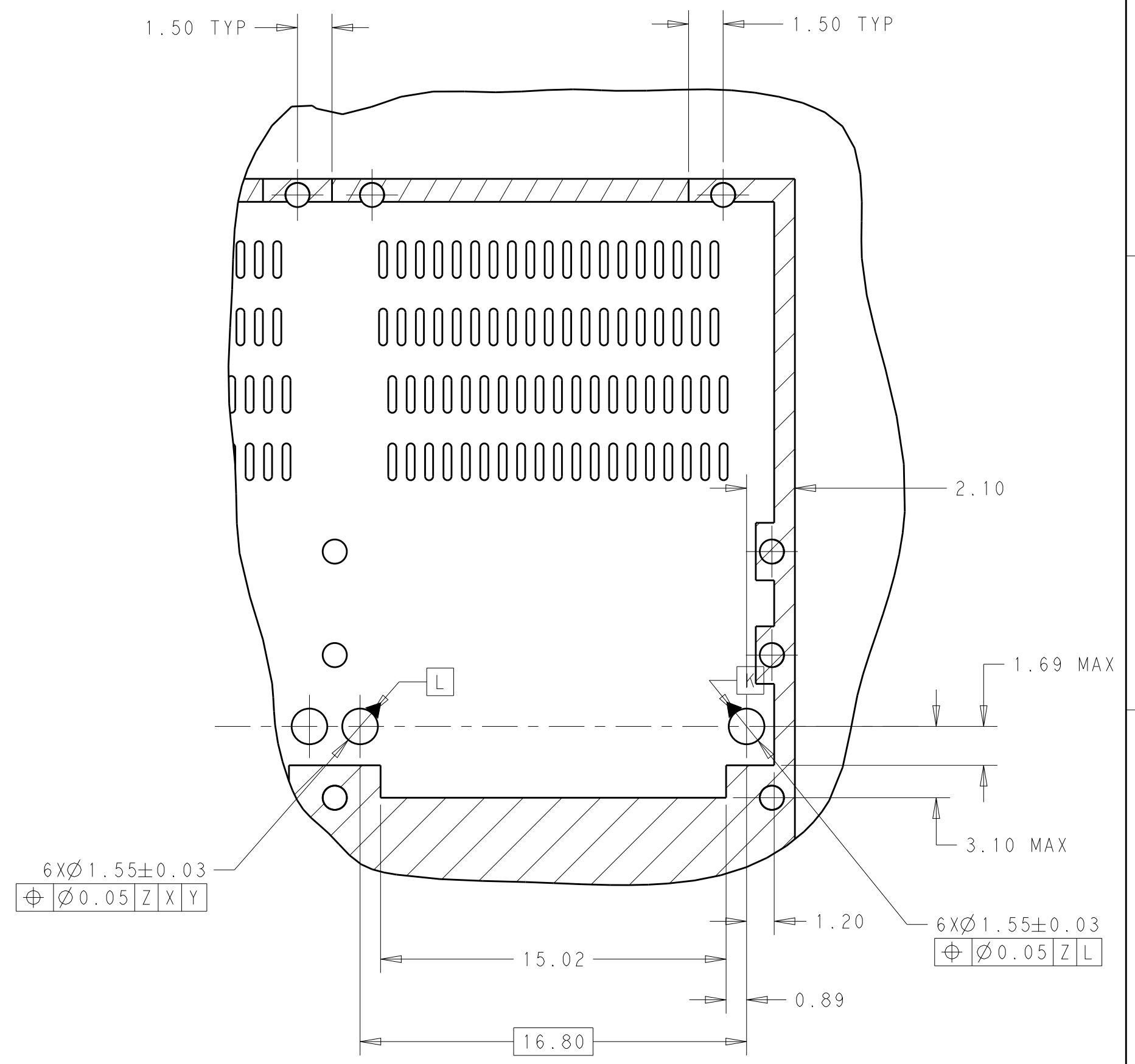
| | | | | |
|--|--|--|--|------------------------------|
| THIS DRAWING IS A CONTROLLED DOCUMENT. | | DWN 23AUG2018 STEPHEN HE | TE Connectivity | |
| | | CHK 23AUG2018 SEAN HAN | | |
| | | APVD 23AUG2018 SEAN HAN | NAME CAGE ASSEMBLY WIHT HEAT SINK FOR GM QSFP-DD 1X6 EXTRUSION | |
| DIMENSIONS: mm | | TOLERANCES UNLESS OTHERWISE SPECIFIED: | | PRODUCT SPEC - |
| | | 0 PLC ±0.25 | 1 PLC ±0.25 | APPLICATION SPEC - |
| MATERIAL | | 2 PLC ±0.25 | 3 PLC ± | WEIGHT - |
| | | 4 PLC ± | ANGLES ±1 | CUSTOMER DRAWING |
| | | FINISH - | | SCALE 1:1 SHEET 4 OF 5 REV A |

THIS DRAWING IS UNPUBLISHED. RELEASED FOR PUBLICATION 20
 © COPYRIGHT 20 BY - ALL RIGHTS RESERVED.

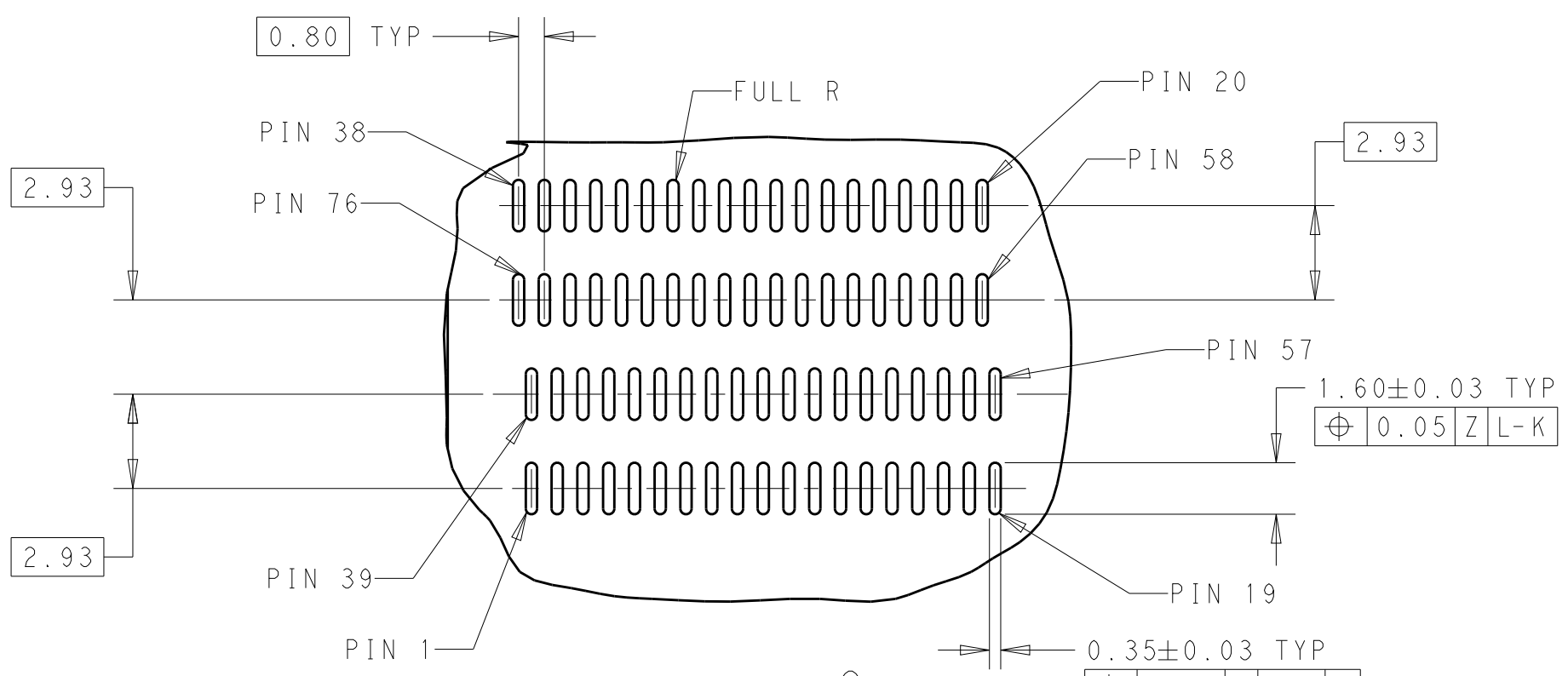
| REVISIONS | | | | |
|-----------|-----|-------------|------|------|
| P | LTR | DESCRIPTION | DATE | APVD |
| - | - | SEE SHEET 1 | - | - |
| | | | | |
| | | | | |



DETAIL B
SCALE 5:1



DETAIL D
SCALE 5:1



DETAIL C
SCALE 5:1

| | | | | | | |
|--|-------------|-----------------------------|-----------------|-------------------------------------|--------------|------------|
| THIS DRAWING IS A CONTROLLED DOCUMENT. | | DWN 23AUG2018 STEPHEN HE | TE Connectivity | NAME | | |
| DIMENSIONS: | | CHK 23AUG2018 SEAN HAN | | CAGE ASSEMBLY WIHT HEAT SINK FOR GM | | |
| mm | | APVD 23AUG2018 SEAN HAN | | QSFP-DD 1X6 EXTRUSION | | |
| TOLERANCES UNLESS OTHERWISE SPECIFIED: | | PRODUCT SPEC | | SIZE | CAGE CODE | DRAWING NO |
| 0 PLC ±0.25 | 1 PLC ±0.25 | APPLICATION SPEC | A2 | - | C-2342891 | - |
| 2 PLC ±0.25 | 3 PLC ± | WEIGHT | SCALE 1:1 | | SHEET 5 OF 5 | REV A |
| 4 PLC ± | ANGLES ±1 | CUSTOMER DRAWING | | | | |
| FINISH | | | | | | |

单击下面可查看定价，库存，交付和生命周期等信息

[>>TE Connectivity\(泰科\)](#)