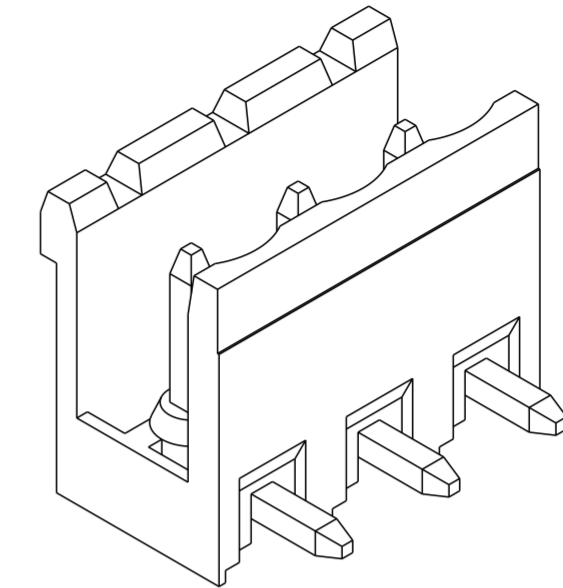
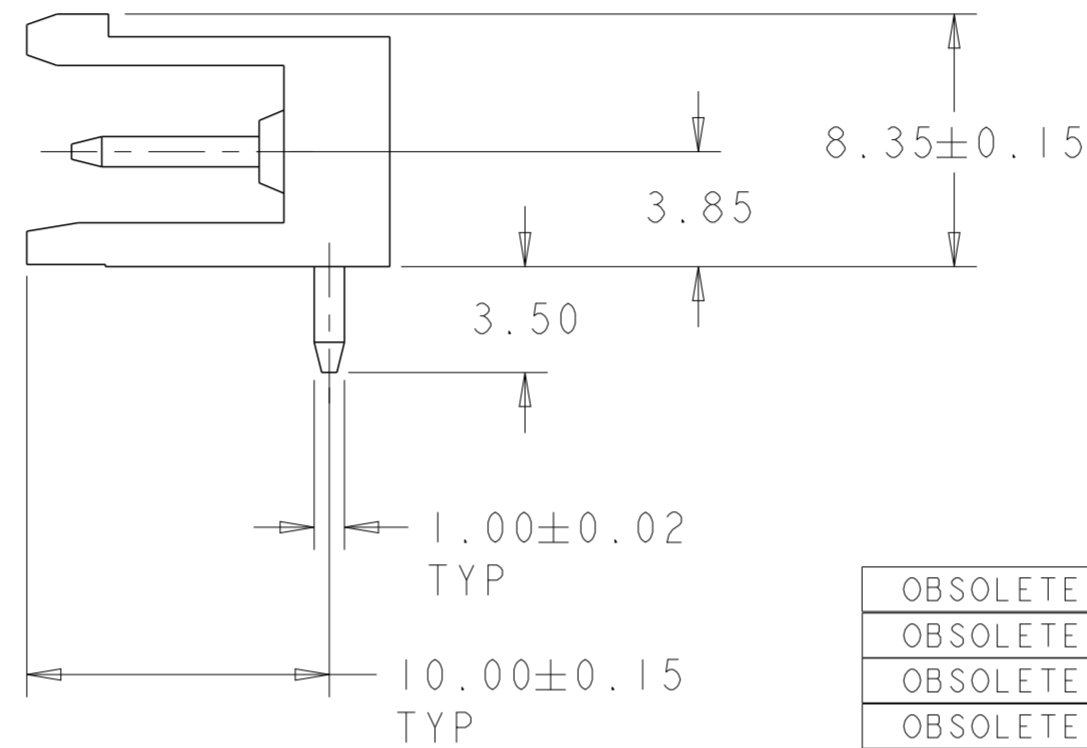
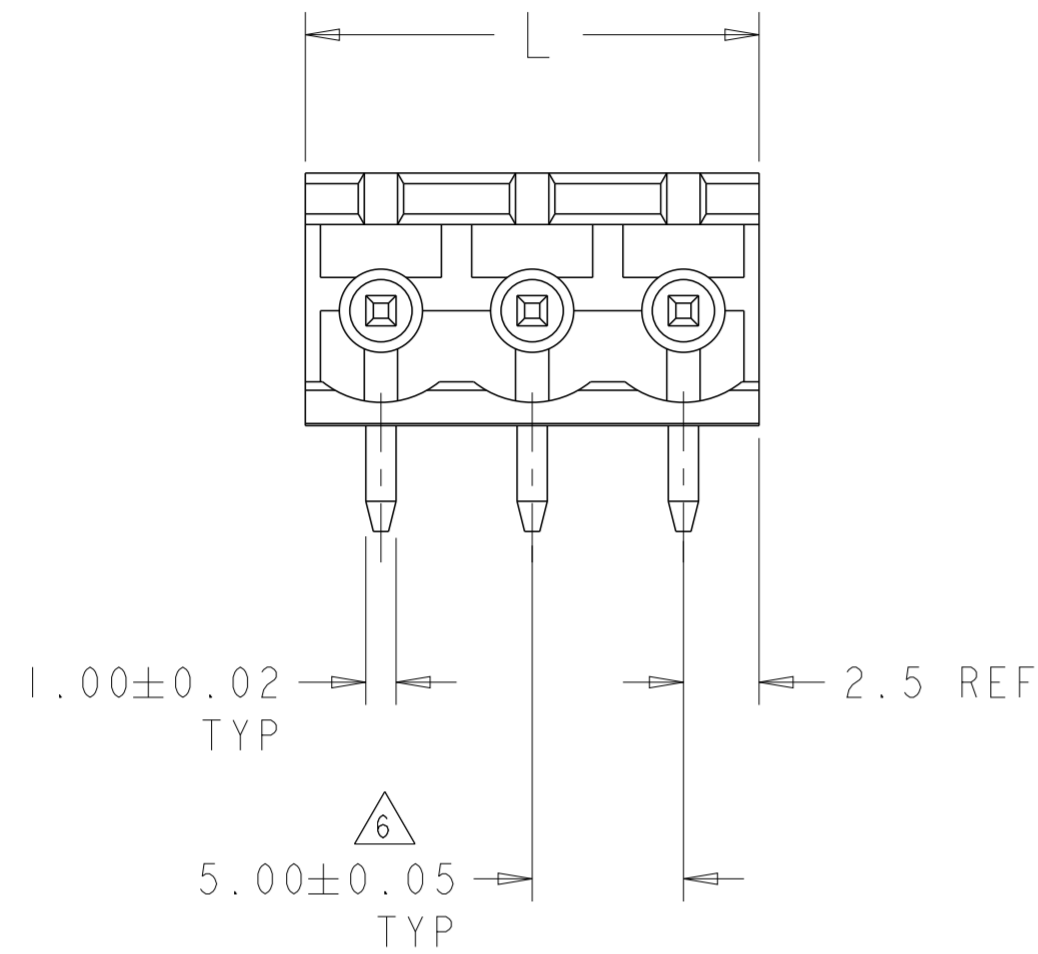
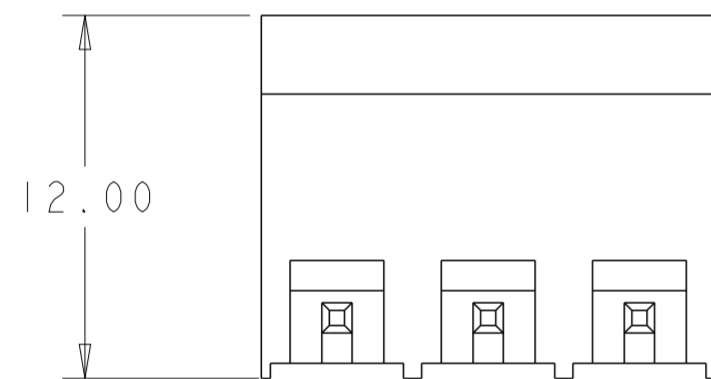


| REVISIONS | | | | | |
|-----------|-----|---------------------------|-----------|-----|------|
| P | LTR | DESCRIPTION | DATE | DWN | APVD |
| D4 | | REVISED PER ECO-12-007964 | 02MAY2012 | KH | MS |
| D5 | | 3-7 AND 3-3 PART OBSOLETE | 29AUG2020 | DV | PS |

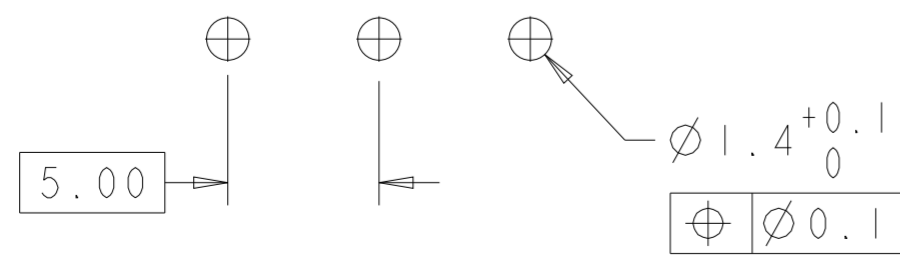


282812-3 AS SHOWN

| OBSOLETE | COLOR | PLATING | SPECIAL | NO OF POSN | PART NUMBER |
|----------|---------|-------------|--------------|------------|-------------|
| OBSOLETE | GREEN | MATTE TIN | - | 15.0 | 3-282812-7 |
| OBSOLETE | ORANGE | TIN | - | 75.0 | 3-282812-6 |
| OBSOLETE | ORANGE | TIN | - | 65.0 | 3-282812-5 |
| OBSOLETE | ORANGE | TIN | - | 15.0 | 3-282812-4 |
| OBSOLETE | GREEN | 0.76um GOLD | - | 15.0 | 3-282812-3 |
| OBSOLETE | GREEN | TIN | SEE DETAIL M | 55.0 | 3-282812-1 |
| | GREEN | TIN | - | 125.0 | 2-282812-5 |
| | GREEN | TIN | - | 120.0 | 2-282812-4 |
| | GREEN | TIN | - | 115.0 | 2-282812-3 |
| | GREEN | TIN | - | 110.0 | 2-282812-2 |
| | GREEN | TIN | - | 105.0 | 2-282812-1 |
| | GREEN | TIN | - | 100.0 | 2-282812-0 |
| | GREEN | TIN | - | 95.0 | 1-282812-9 |
| | GREEN | TIN | - | 90.0 | 1-282812-8 |
| | GREEN | TIN | - | 85.0 | 1-282812-7 |
| | GREEN | TIN | - | 80.0 | 1-282812-6 |
| | GREEN | TIN | - | 75.0 | 1-282812-5 |
| | GREEN | TIN | - | 70.0 | 1-282812-4 |
| | GREEN | TIN | - | 65.0 | 1-282812-3 |
| | GREEN | TIN | - | 60.0 | 1-282812-2 |
| | GREEN | TIN | - | 55.0 | 1-282812-1 |
| | GREEN | TIN | - | 50.0 | 1-282812-0 |
| | GREEN | TIN | - | 45.0 | 282812-9 |
| | GREEN | TIN | - | 40.0 | 282812-8 |
| | GREEN | TIN | - | 35.0 | 282812-7 |
| | GREEN | TIN | - | 30.0 | 282812-6 |
| | GREEN | TIN | - | 25.0 | 282812-5 |
| | GREEN | TIN | - | 20.0 | 282812-4 |
| | GREEN | TIN | - | 15.0 | 282812-3 |
| | GREEN | TIN | - | 10.0 | 282812-2 |
| COLOR | PLATING | SPECIAL | L | NO OF POSN | PART NUMBER |



- 1. MATERIALS AND FINISH
HOUSING: PA 6-6, UL 94-V0, COLOR: SEE TABLE.
TERMINAL: COPPER ALLOY, SEE TABLE.
- 2. SUITABLE FOR 1,6-2,4mm PC BOARD THICKNESS.
- 3. END-TO-END STACKABLE WITHOUT LOSS OF CENTERLINE SPACING.
- 4. RECOGNIZED UNDER THE COMPONENT PROGRAM OF UNDERWRITERS LABORATORIES INC. FILE N° E60677.
- 5. IMO CERTIFICATE WITH SURVEILLANCE IN CONFORMITY WITH IEC 998-1/998-2-1.
- 6. NOT CUMULATIVE TOLERANCE.
- 7. BUCHANAN LOGO TO APPEAR ON HOUSING, LOCATION OPTIONAL WHERE SPACE PERMITS.
- 8. SELECTIVELY LOADED IN POSITIONS 1, 4, 5, 8 & 11.



RECOMMENDED PC BOARD LAYOUT

THIS DRAWING IS A CONTROLLED DOCUMENT.

| | | | |
|----------------|--|----------------------------|---|
| DIMENSIONS: mm | TOLERANCES UNLESS OTHERWISE SPECIFIED: | DWN S. WELDON 12SEP2002 | TE Connectivity |
| | | CHK C. RICHARD 12SEP2002 | |
| | | APVD C. RICHARD 12SEP2002 | |
| | | PRODUCT SPEC 108-20166 | NAME TERMINAL BLOCK HEADER ASSEMBLY 90 DEGREE, OPEN ENDS, STACKING 5.00mm PITCH |
| | | APPLICATION SPEC 114-20079 | SIZE A2 CAGE CODE 00779 DRAWING NO C-282812 |
| MATERIAL | FINISH | WEIGHT | RESTRICTED TO |
| | | | SCALE 4:1 SHEET 1 OF 2 REV D5 |

4

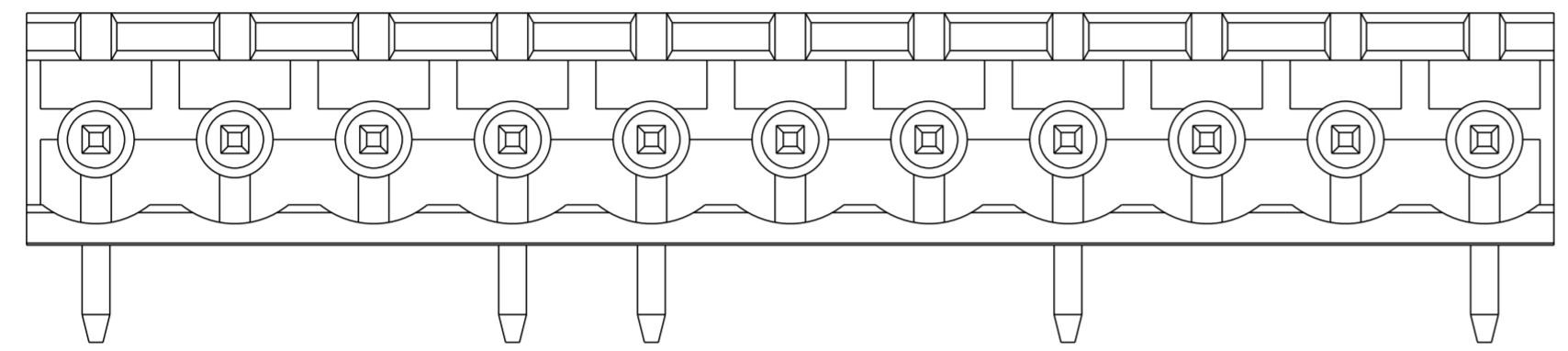
3

2

1

© 2020 TE Connectivity. All Rights Reserved.

| REVISIONS | | | | |
|-----------|-----|-------------|------|------|
| P | LTR | DESCRIPTION | DATE | APVD |
| - | | SEE SHEET 1 | - | - |
| | | | | |
| | | | | |
| | | | | |



△
DETAIL M

| | | | | |
|--|--|---------------------------------|--|--------------------|
| THIS DRAWING IS A CONTROLLED DOCUMENT. | | DWN S. WELDON 12SEP2002 | | |
| DIMENSIONS: mm | | CHK C. RICHARD 12SEP2002 | | |
| TOLERANCES UNLESS OTHERWISE SPECIFIED: | | APVD C. RICHARD 12SEP2002 | NAME TERMINAL BLOCK HEADER ASSEMBLY 90 DEGREE, OPEN ENDS, STACKING 5.00mm PITCH | |
| 0 PLC ±- 1 PLC ±.2 2 PLC ±.25 3 PLC ±- 4 PLC ±- ANGLES ±2 FINISH | | PRODUCT SPEC 108-20166 | SIZE A2 | CAGE CODE 00779 |
| MATERIAL | | APPLICATION SPEC 114-20079 | DRAWING NO C-282812 | RESTRICTED TO |
| | | WEIGHT - | SCALE 3:1 | SHEET 2 OF 2 |
| | | CUSTOMER DRAWING | REV D5 | |

单击下面可查看定价，库存，交付和生命周期等信息

[>>TE Connectivity\(泰科\)](#)