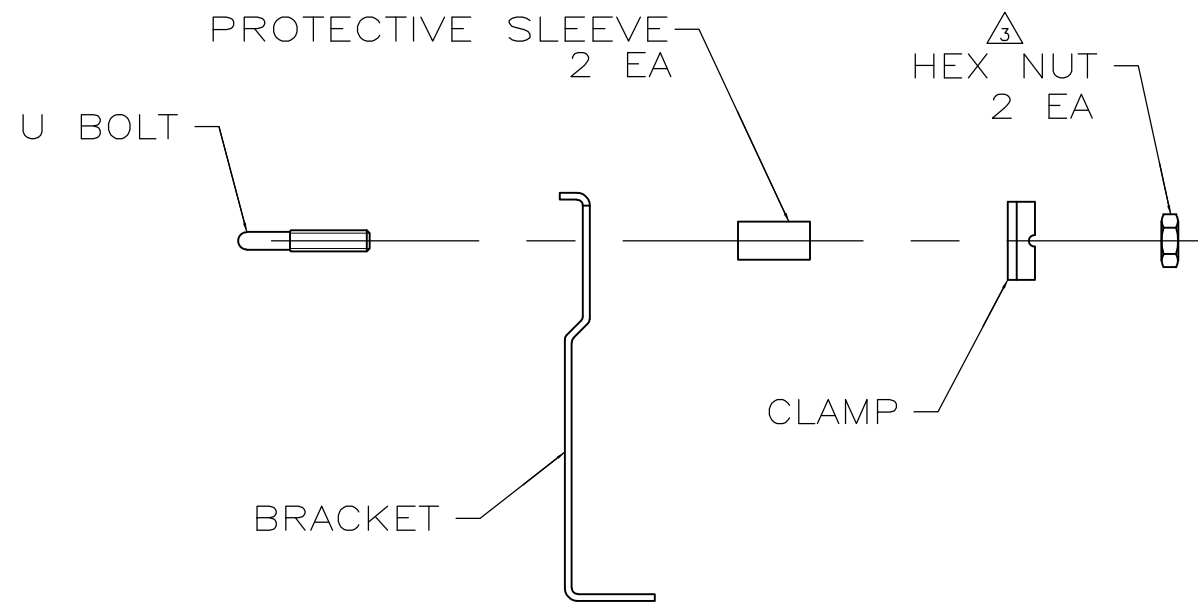
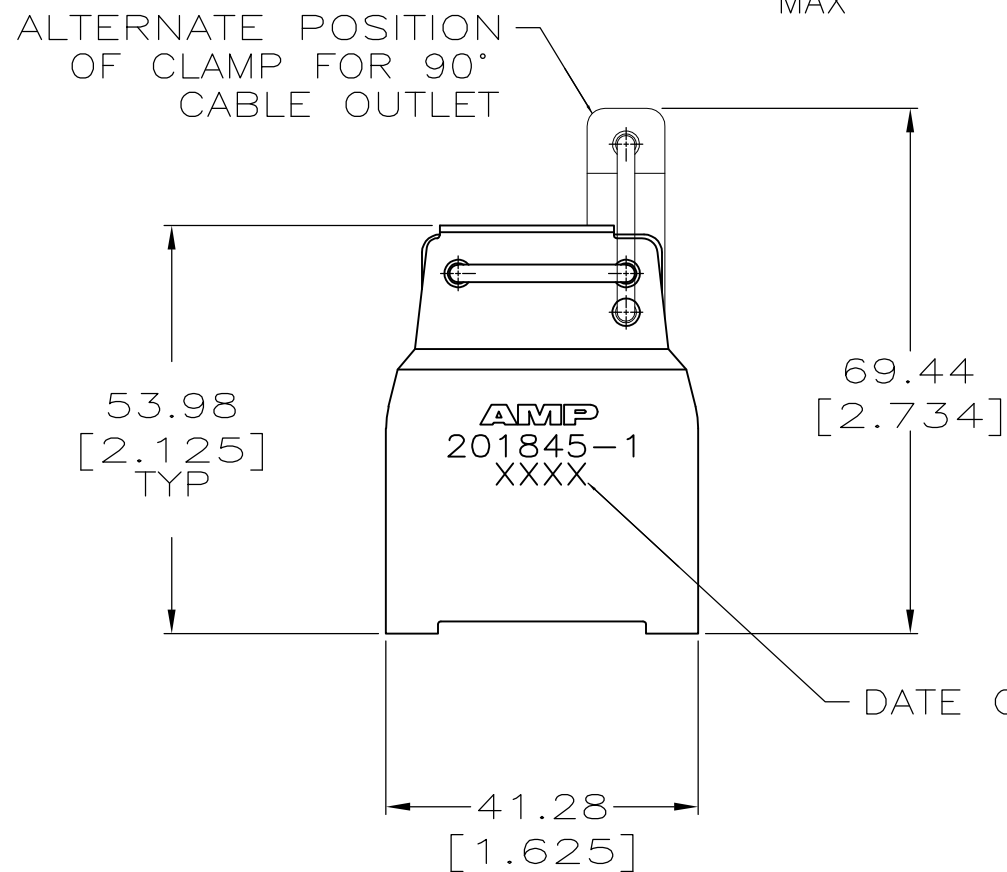
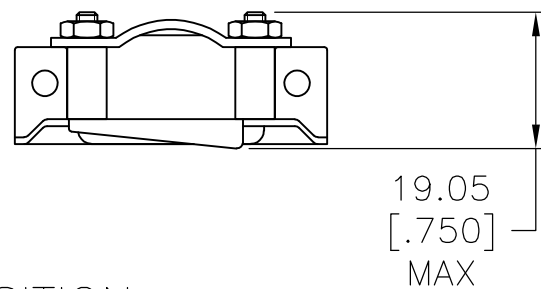


THIS DRAWING IS UNPUBLISHED. RELEASED FOR PUBLICATION
 © COPYRIGHT BY TYCO ELECTRONICS CORPORATION. ALL RIGHTS RESERVED.

LOC	DIST	REVISIONS			
P	LTR	DESCRIPTION	DATE	DWN	APVD
FT	0	E	REVISED PER ECO-08-031035	15DEC08	HMR GS



- 1 U BOLT: STAINLESS STEEL.
BRACKET, CLAMP & HEX NUT: CARBON STEEL.
PROTECTIVE SLEEVE: POLYVINYL CHLORIDE.
- 2 U BOLT: PASSIVATED.
BRACKET & CLAMP: 5.08um[.000200] MIN NICKEL PLATED.
- 3 ZINC PLATED.

201845-2
201845-1
PART NUMBER

ASSEMBLED VIEW

THIS DRAWING IS A CONTROLLED DOCUMENT.		DWN C.REIFSNYDER 29 AUG 95	Tyco Electronics Corporation Harrisburg, Pa 17105-3608													
DIMENSIONS: mm [INCHES]		CHK R.STONE 31 AUG 95	NAME CLAMP KIT, UNASSEMBLED, STRAIN RELIEF, 26 PLACE, M SERIES													
TOLERANCES UNLESS OTHERWISE SPECIFIED:		APVD G.STEINHAUER 05 OCT 95	PRODUCT SPEC	RESTRICTED TO												
<table border="0"> <tr><td>0 PLC</td><td>± -</td></tr> <tr><td>1 PLC</td><td>± -</td></tr> <tr><td>2 PLC</td><td>± 0.38[.015]</td></tr> <tr><td>3 PLC</td><td>± -</td></tr> <tr><td>4 PLC</td><td>± -</td></tr> <tr><td>ANGLES</td><td>± -</td></tr> </table>		0 PLC	± -	1 PLC	± -	2 PLC	± 0.38[.015]	3 PLC	± -	4 PLC	± -	ANGLES	± -	APPLICATION SPEC	SIZE A3	CAGE CODE 00779
0 PLC	± -															
1 PLC	± -															
2 PLC	± 0.38[.015]															
3 PLC	± -															
4 PLC	± -															
ANGLES	± -															
MATERIAL	FINISH	WEIGHT	DRAWING NO C-201845	SCALE 1:1												
-	-	-	CUSTOMER DRAWING	SHEET 1 OF 1												
			REV E													

单击下面可查看定价，库存，交付和生命周期等信息

[>>TE Connectivity\(泰科\)](#)