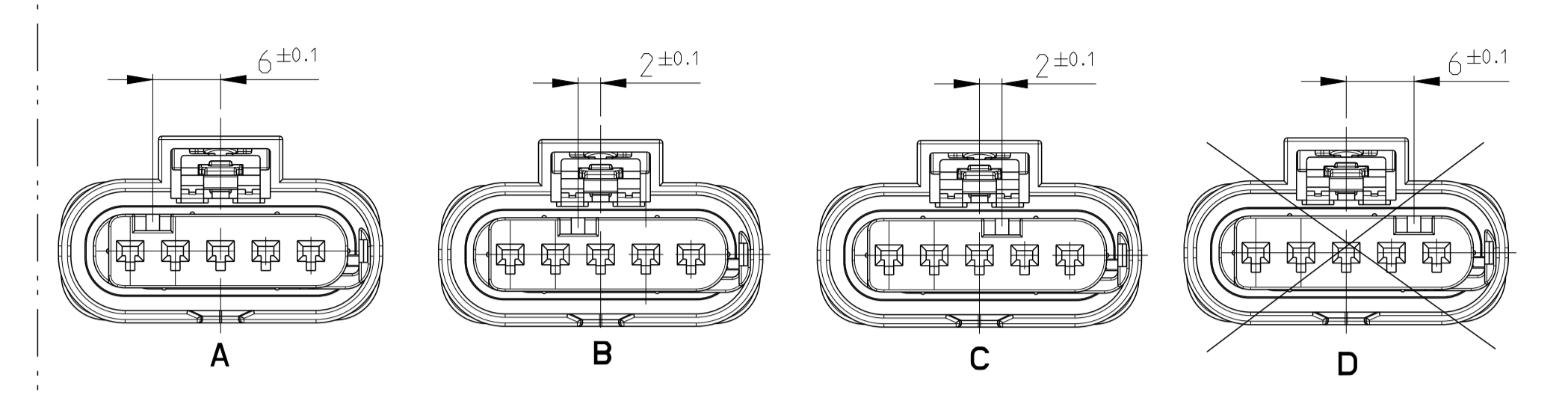


CODINGS Kodierungen M 2:1

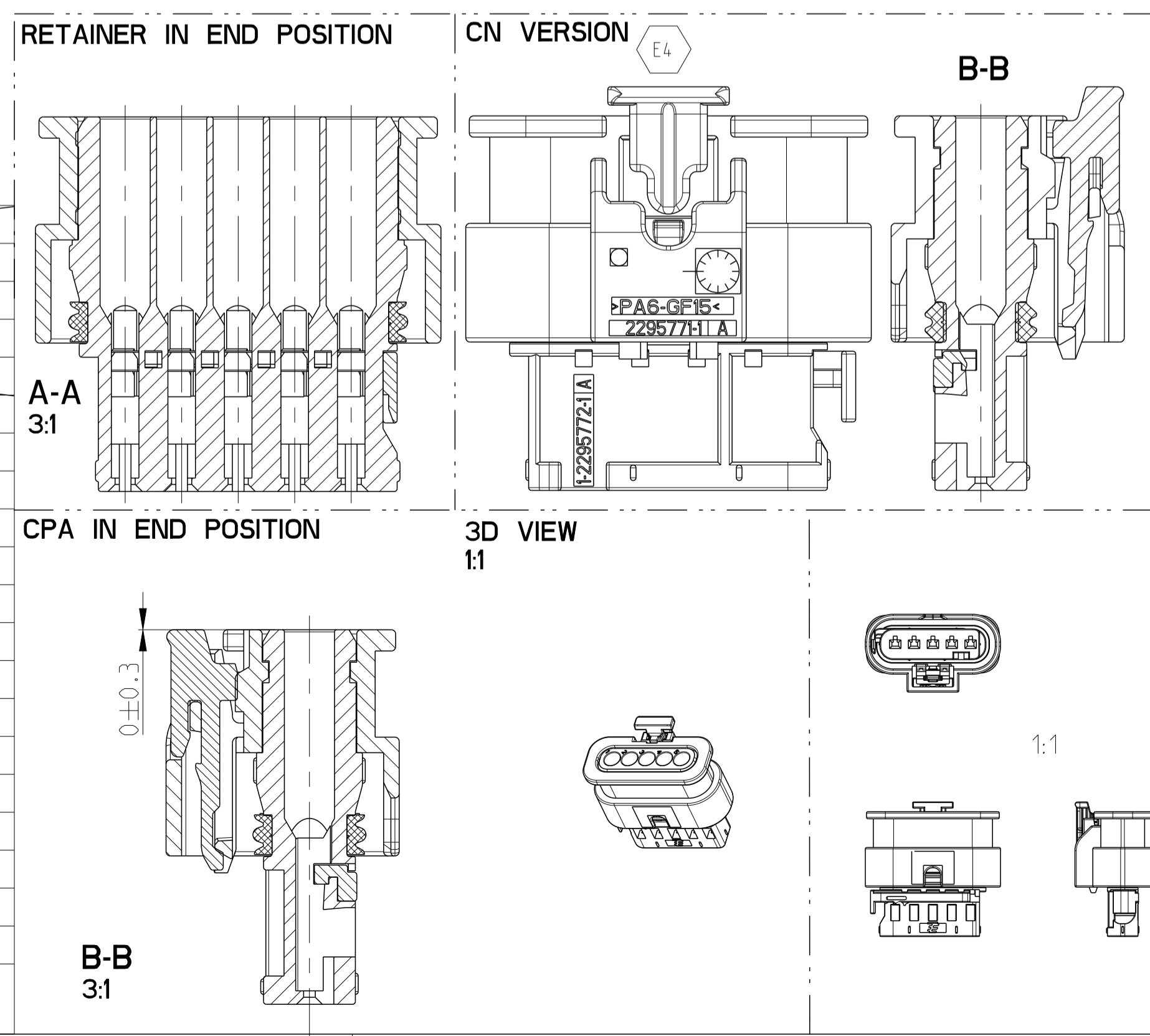


REVISIONS				
P.	LTN.	DESCRIPTION	DATE	OWN APVD
E1	3-1718806-1	ADDED TO BOM	22JUN2017	SZN RT
E2	LASERPRINT	UPDATED WITH CN MANUF	13FEB2018	SZN RT
E3	DIVERGENT VERSION	ADDED	10AUG2018	LSZ SZN
E4	LASER PRINT	UPDATED WITH CN LOCATION	06AUG2019	SZN LSZ

NOTES: Bemerkungen:

- ONLY THE GERMAN LANGUAGE VERSION IS AUTHORITY. Massgebend ist nur der deutsche Text.
- AREA FOR PRINT. Bereich für Bedruckung.
- USABLE CONTACTS MCON 1.2. SEE TE Connectivity -NO. 1452674, VERSION SINGLE WIRE SEAL. Verwendbare Kontakte MCON 1.2 siehe TE Connectivity -Zeichnung 1452674, Ausführung Einzeldichtung.
- MAX. WIRE SIZE RANGE 1.0 mm² FLR PERMITTED FOR CAVITY-Ø 3.5MM. QUANTITY SEE WIRE HARNESS DRAWING FOR PERMISSIBLE CURRENT CARRYING CAPACITY OF THE SINGLE CONTACT SEE PRODUCT SPECIFICATION NO.108-18782 max. zulässiger Leitungsquerschnitt 1,0 mm² FLR, für Kammer-Ø 3,5mm die Stückzahl ist im Leitungssatz festgelegt die zulässige Strombelastbarkeit für die einzelnen Kontakte ist der Spezifikation 108-18782 zu entnehmen.
- SUPPLIER-MARK. Lieferantenkennzeichnung.
- SPACE OF ACTIVITY. Betätigungsfreiraum.
- SUPPLY CONDITION: CPA IN PRELOCKED POSITION. Auslieferungszustand: Gehäusesicherung in Vorraststellung.
- SUPPLY CONDITION: RETAINER IN PRELOCKED POSITION. Auslieferungszustand: Zweite Kontaktsicherung in Vorraststellung.
- WARPAGE PERMITTED TO MAX. -0.5mm. Verzug zulässig bis max. -0.5mm.
- TE CONNECTIVITY ORDER-NO. TE Connectivity Bestell-Nr.
- ACCORDING TO INTERFACE DRAWING SEE TE-NO. 114-18679-3. Passend zur Schnittstellen-Zeichnung siehe TE-Nr. 114-18679-3.
- ASSEMBLY LINE SEGMENT IDENTIFICATION. Markierung für Segment der Assembly Anlage.
- DATE CODE (DDYY). Datum Kodierung (TTJJ).
- OPTIONAL-DIVERGENT MARKING FOR PARTS FROM CHINESE AND U.S. PRODUCTION. Abweichende Beschriftung zulässig fuer Teile aus China und U.S. Produktion.

TE-ORDER-NO.	COD	TITLE	REV	QTY	TITLE	MATERIAL	SURFACE/COLOUR	ITEM
4-1718806-1	D	5pos. MCON 1.2 - LL Connector, Sealed	D	1	MCON 1.2 - CPA	PA46-GF15	GRAY SIML. TO RAL 7037	5
				1	5pos. MCON 1.2 - Seal	MVQ-30	NATURE	4
				1	5pos. MCON 1.2 - Retainer	PA66-GF15	VIOLETT SIML. TO RAL 4006	3
				1	5pos. MCON 1.2 - Protec. Cover	PA6-GF15	VIOLETT SIML. TO RAL 9011	2
3-1718806-1	C	5pos. MCON 1.2 - LL Connector, Sealed	E	1	5pos. MCON 1.2 - Recept. Hsg	PA66-GF30	GRAY SIML. TO RAL 4004	1
				1	MCON 1.2 - CPA	PA46-GF15	GRAY SIML. TO RAL 7037	5
				1	5pos. MCON 1.2 - Seal	MVQ-30	NATURE	4
				1	5pos. MCON 1.2 - Retainer	PA66-GF15	VIOLETT SIML. TO RAL 4006	3
2-1718806-1	B	5pos. MCON 1.2 - LL Connector, Sealed	E	1	5pos. MCON 1.2 - Protec. Cover	PA6-GF15	VIOLETT SIML. TO RAL 9011	2
				1	5pos. MCON 1.2 - Recept. Hsg	PA66-GF30	BLUE SIML. TO RAL 5012	1
				1	MCON 1.2 - CPA	PA46-GF15	GRAY SIML. TO RAL 7037	5
				1	5pos. MCON 1.2 - Seal	MVQ-30	NATURE	4
1-1718806-1	A	5pos. MCON 1.2 - LL Connector, Sealed	E	1	5pos. MCON 1.2 - Retainer	PA66-GF15	VIOLETT SIML. TO RAL 4006	3
				1	5pos. MCON 1.2 - Protec. Cover	PA6-GF15	BLACK SIML. TO RAL 9011	2
				1	5pos. MCON 1.2 - Recept. Hsg	PA66-GF30	BLACK SIML. TO RAL 9011	1
				1	MCON 1.2 - CPA	PA46-GF15	GRAY SIML. TO RAL 7037	5



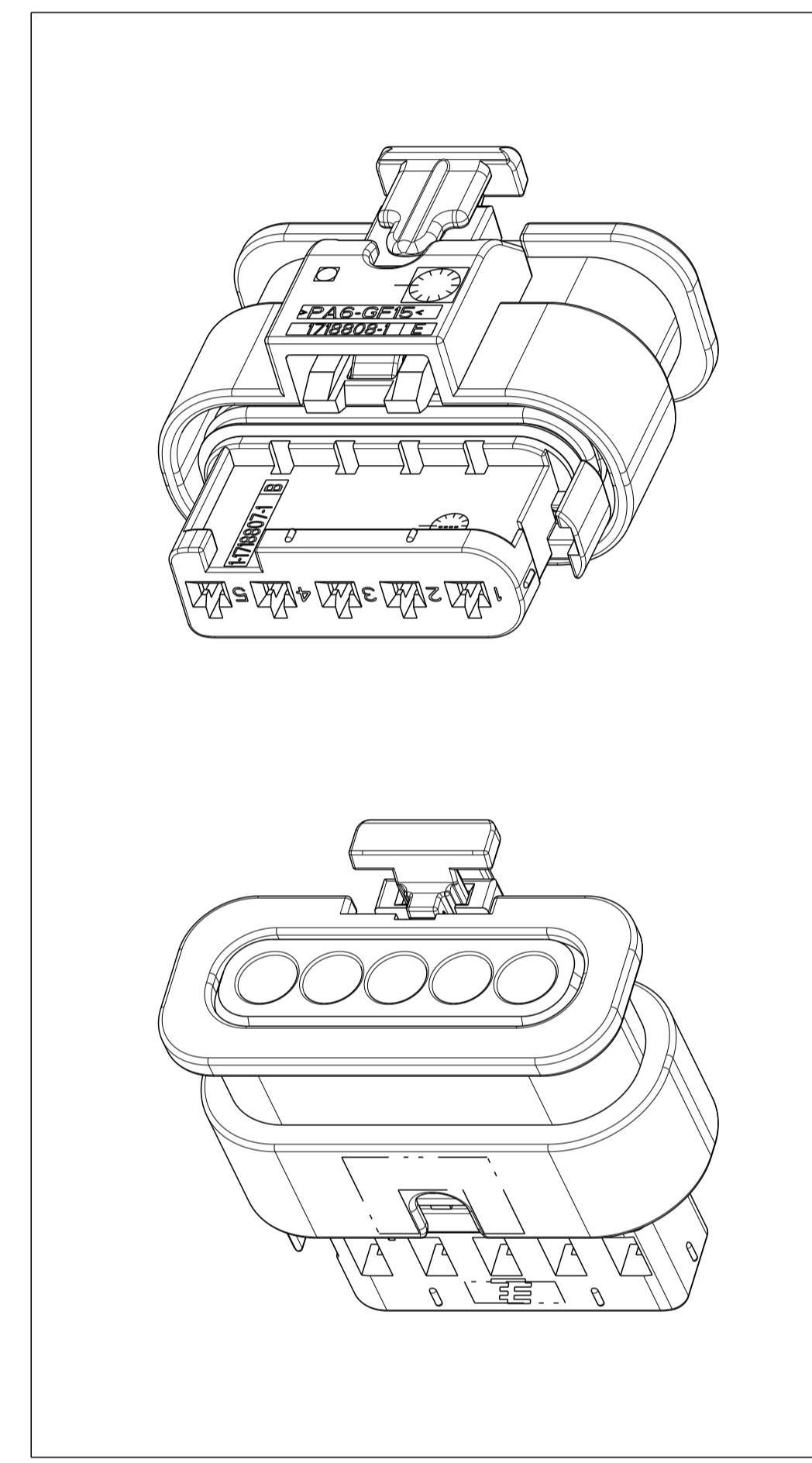
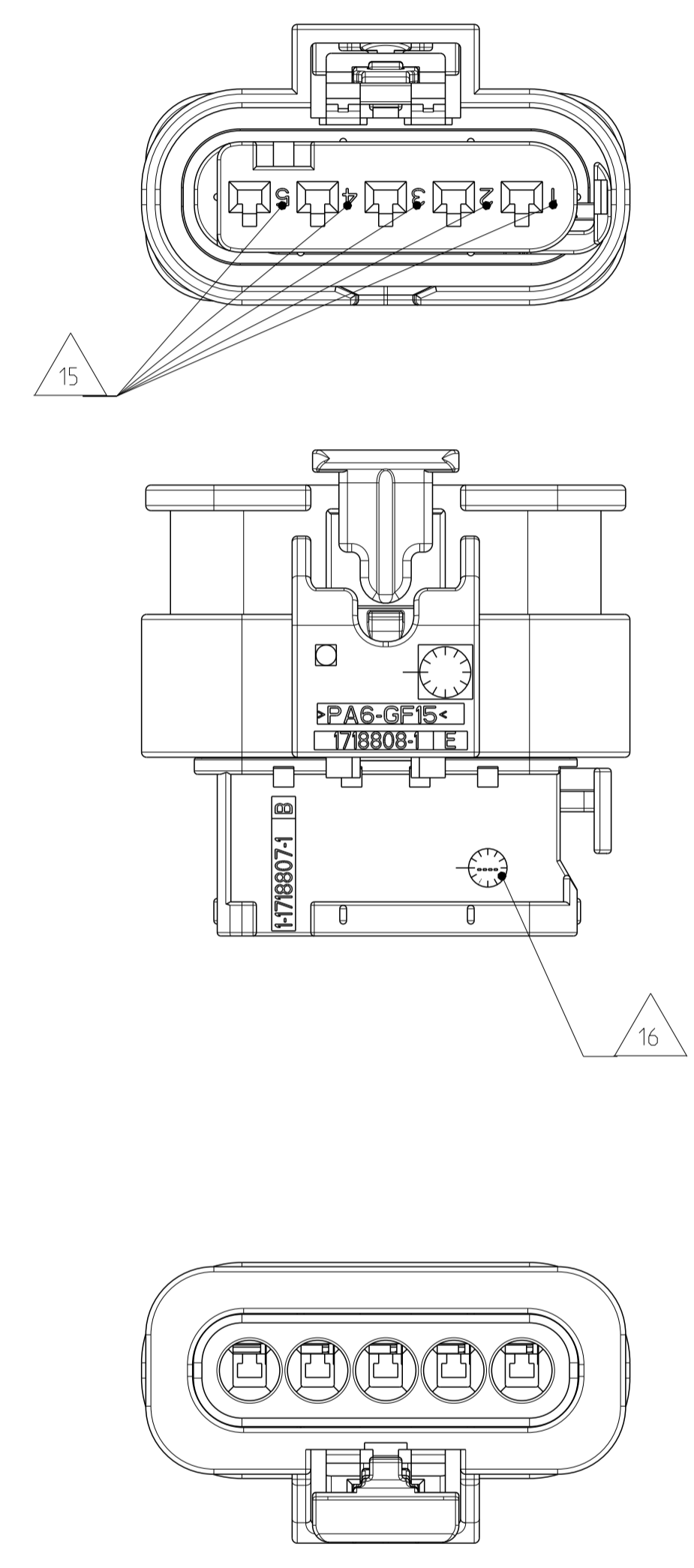
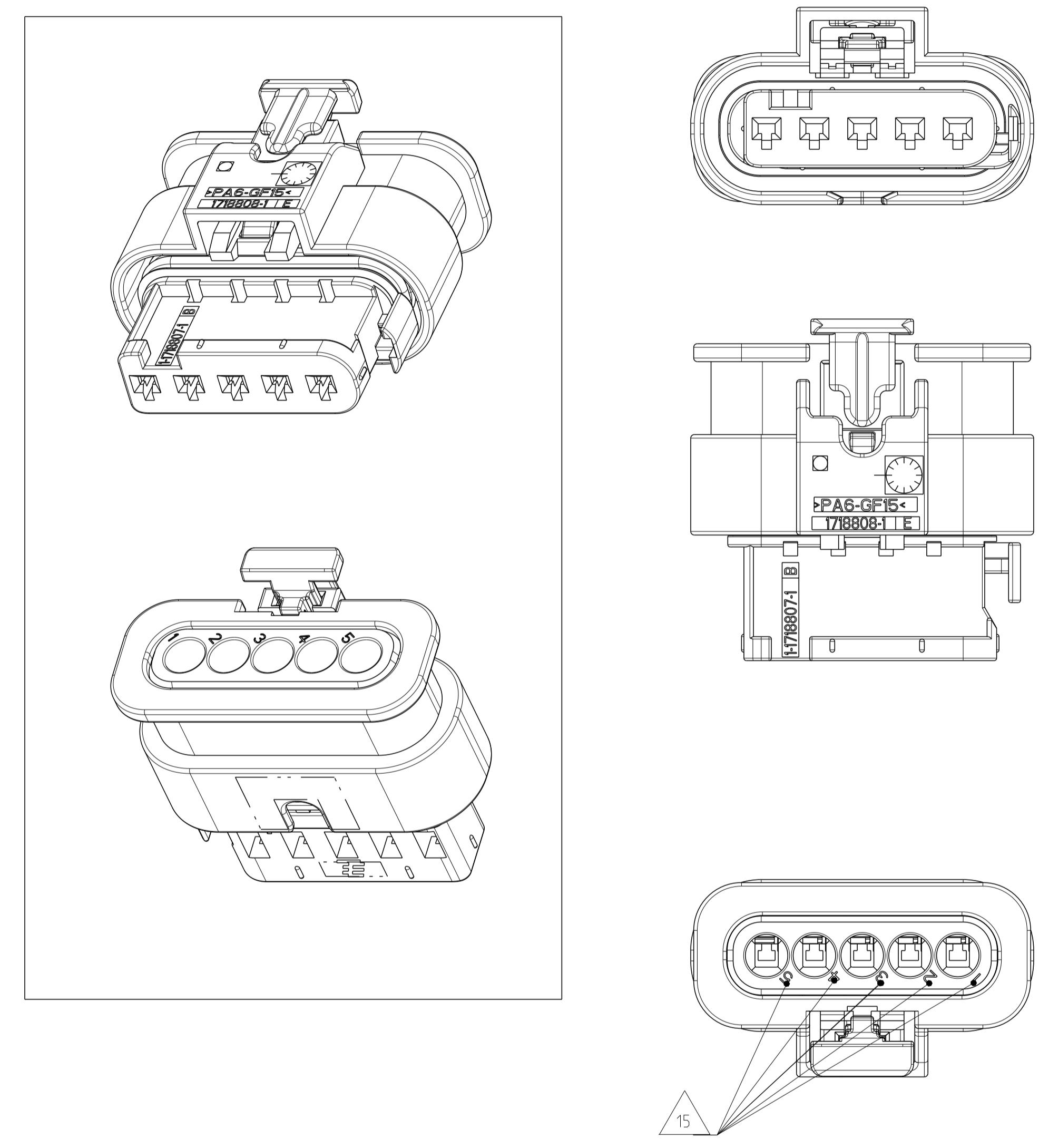
TOLERANCES UNLESS OTHERWISE SPECIFIED ACC. TO DIN 16901-140. CENTRIC TO NOMINAL DIMENSION. EDITION 1982-11 SHALL APPLY. Freimessstoleranzen nach DIN 16901-140. Es gilt die Ausgabe 1982-11.		THIS DRAWING IS A CONTROLLED DOCUMENT.		OWN: G. Roth	09AUG2018
DIMENSIONS: mm		TOLERANCES UNLESS OTHERWISE SPECIFIED		CHK: A. Schraebel	17FEB2005
0 PLC	±0.1	1 PLC	±0.05	NAME: 5pos. MCON 1.2 LL Connector, Sealed	
2 PLC	±0.03	3 PLC	±0.013	PRODUCT SPEC: 108-18969	
4 PLC	±0.008	5 PLC	±0.004	APPLICATION SPEC: 114-18861	
MATERIAL: TBD		FINISH: -		WEIGHT: -	
CUSTOMER DRAWING		SCALE: 4:1		SHEET: 1 OF 2	

REVISIONS				
P.	LTN	DESCRIPTION	DATE	APVD
		SEE SHEET 1		

E3 Divergent marking for parts from various tools 3:1

Version 1

E3 Version 2



- E3** 15 Contact cavity marking
- 16 Date clock for inner housing

DIMENSIONS: mm		TOLERANCES UNLESS OTHERWISE SPECIFIED: 0 PLC ±0.5 1 PLC ±0.13 2 PLC ±0.075 3 PLC ±0.05 4 PLC ±0.025 ANGLES ±0.0001		THIS DRAWING IS A CONTROLLED DOCUMENT. DWN: G. Roth 17FEB2005 CHK: A. Schraebel 17FEB2005 APVD: -		NAME: 5pos. MCON 1.2 LL Connector, Sealed PRODUCT SPEC: - APPLICATION SPEC: -	
MATERIAL: TBD		FINISH: -		WEIGHT: -		SIZE: A1 CAGE CODE: 00779 DRAWING NO: C=1718806	
CUSTOMER DRAWING				SCALE: 4:1		SHEET: 2 OF 2 REVISION: 4	

单击下面可查看定价，库存，交付和生命周期等信息

[>>TE Connectivity\(泰科\)](#)