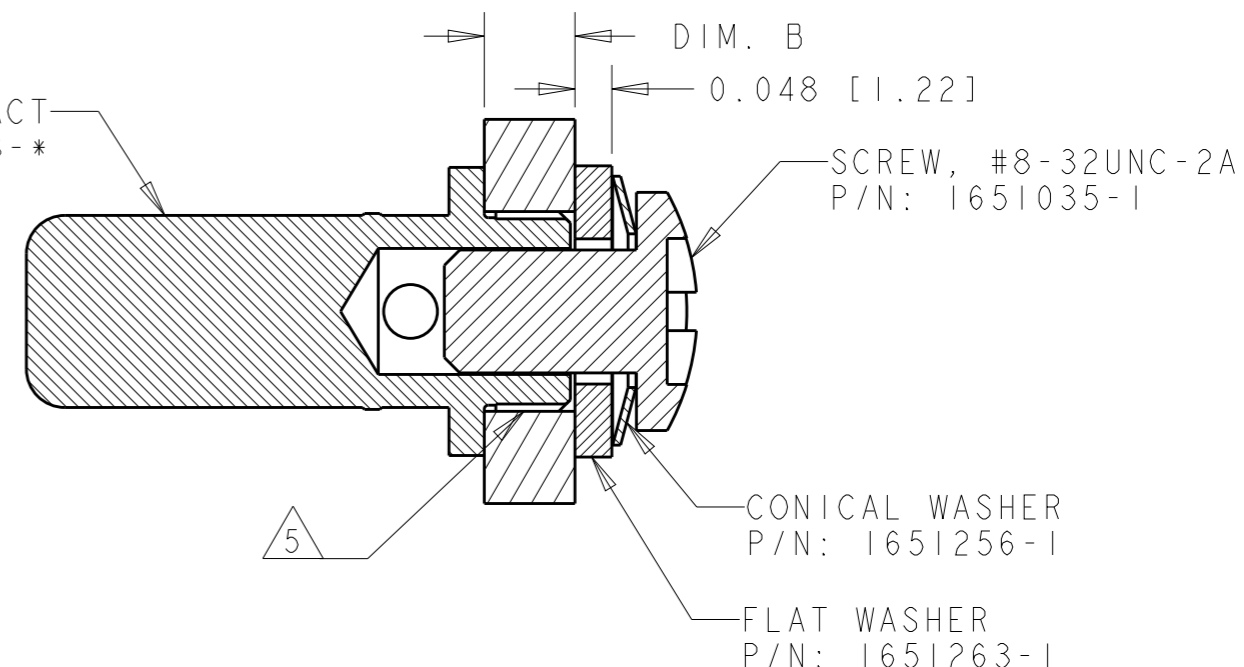
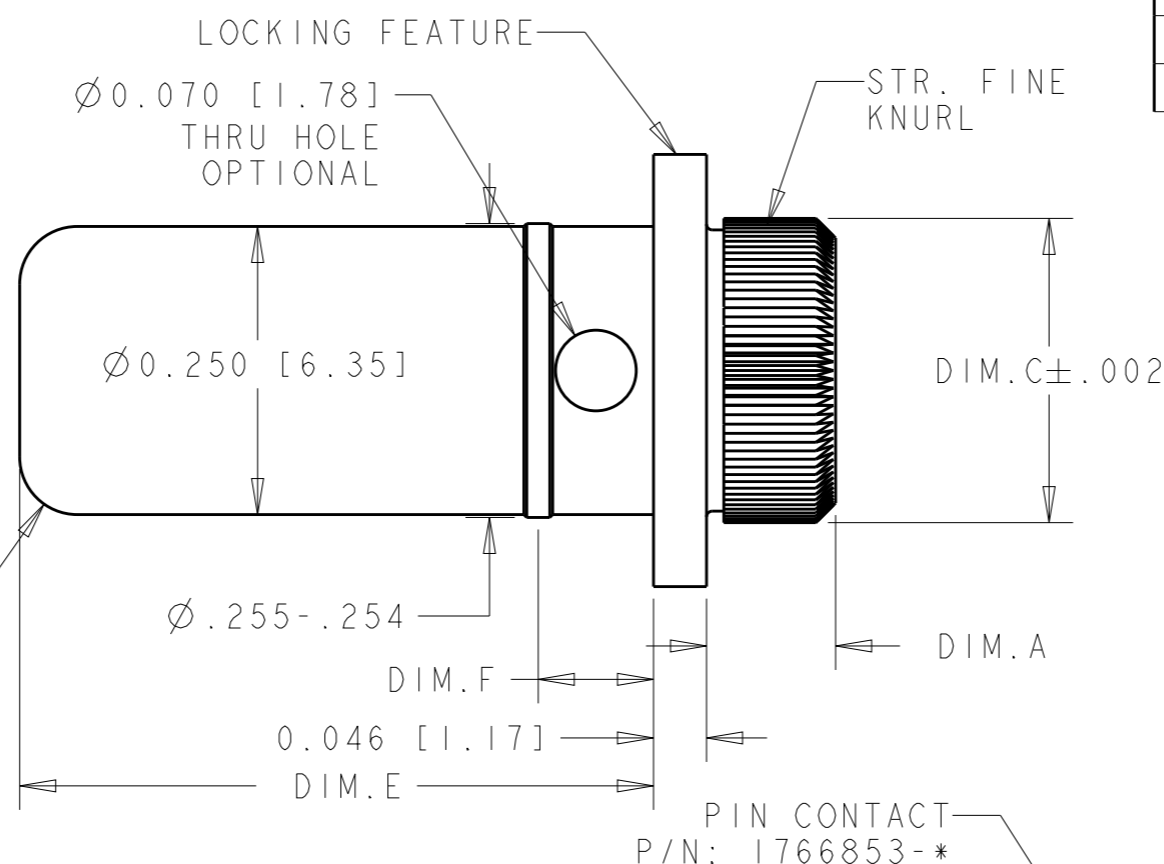
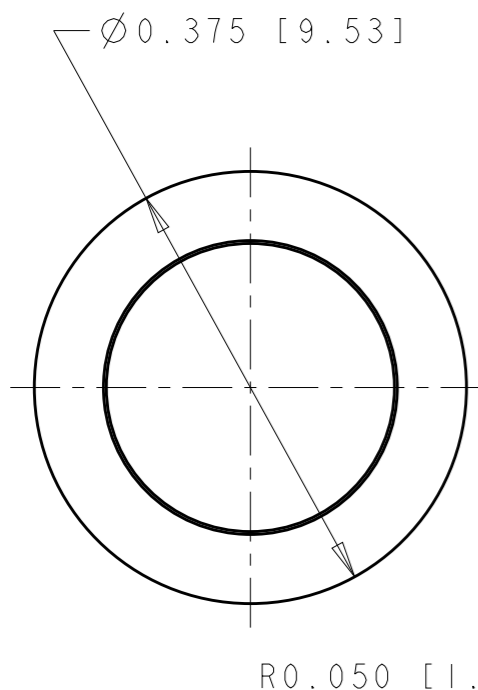


REVISIONS

P	LTR	DESCRIPTION	DATE	DWN	APVD
	CI	REVISED PER ECR-16-007650	27MAY2016	RS	SZ



- PART NUMBER CHANGES AND/OR DESIGN CHANGES AFFECTING ITEM INTERCHANGEABILITY REQUIRE PRIOR TYCO APPROVAL AND AUTHORIZATION BY REVISION TO THIS DRAWING.
- ITEMS PROVIDED TO THIS SPECIFICATION SHALL BE IDENTIFIED ON THE CONTAINER WITH THE FOLLOWING INFORMATION:
PART NUMBER & DATE CODE OF MANUFACTURE.

3 MATERIAL: PIN CONTACT: COPPER ALLOY
CONICAL WASHER: SPRING STEEL
SCREW & FLAT WASH.: STEEL

4 FINISH: PIN CONTACT: SILVER PLATE .00020 MIN THICK
OVER NICKEL .000040 MIN THICK.
SCREW: ZINC PLATE
CONICAL & FLAT WASH.: NICKEL PLATE

5 RECOMMENDED HOLE DIAMETER AFTER PLATING:
Ø DIM. D ± .002.

CI	PART NUMBER	DIM. A	DIM. B	DIM. C	DIM. D	DIM. E	DIM. F
CI	6648224-3	0.057	0.064	0.250	0.244	0.731	0.281
CI	6648224-2	0.057	0.064	0.250	0.244	0.550	0.100
	6648224-1	0.112	0.118	0.267	0.261	0.550	0.100

THIS DRAWING IS A CONTROLLED DOCUMENT.		DWN G.PETERS 01MAY2007	TE Connectivity			
DIMENSIONS: INCHES		CHK D.ORRIS 01MAY2007				
TOLERANCES UNLESS OTHERWISE SPECIFIED:		APVD S.FLICKINGER 01MAY2007				
0 PLC ± 1 PLC ± 2 PLC ±.02[.5] 3 PLC ±.010[.25] 4 PLC ± ANGLES ±.5		NAME PIN CONTACT, SIZ4 #4, SCREW MOUNT, LOCKING STYLE, PRESS FIT				
MATERIAL -		PRODUCT SPEC -	SIZE A3	CAGE CODE 00779	DRAWING NO C-6648224	RESTRICTED TO -
FINISH -		APPLICATION SPEC -	SCALE 2:1		SHEET 1 OF 1	REV CI
material_2		WEIGHT -	CUSTOMER DRAWING			

单击下面可查看定价，库存，交付和生命周期等信息

[>>TE Connectivity\(泰科\)](#)