

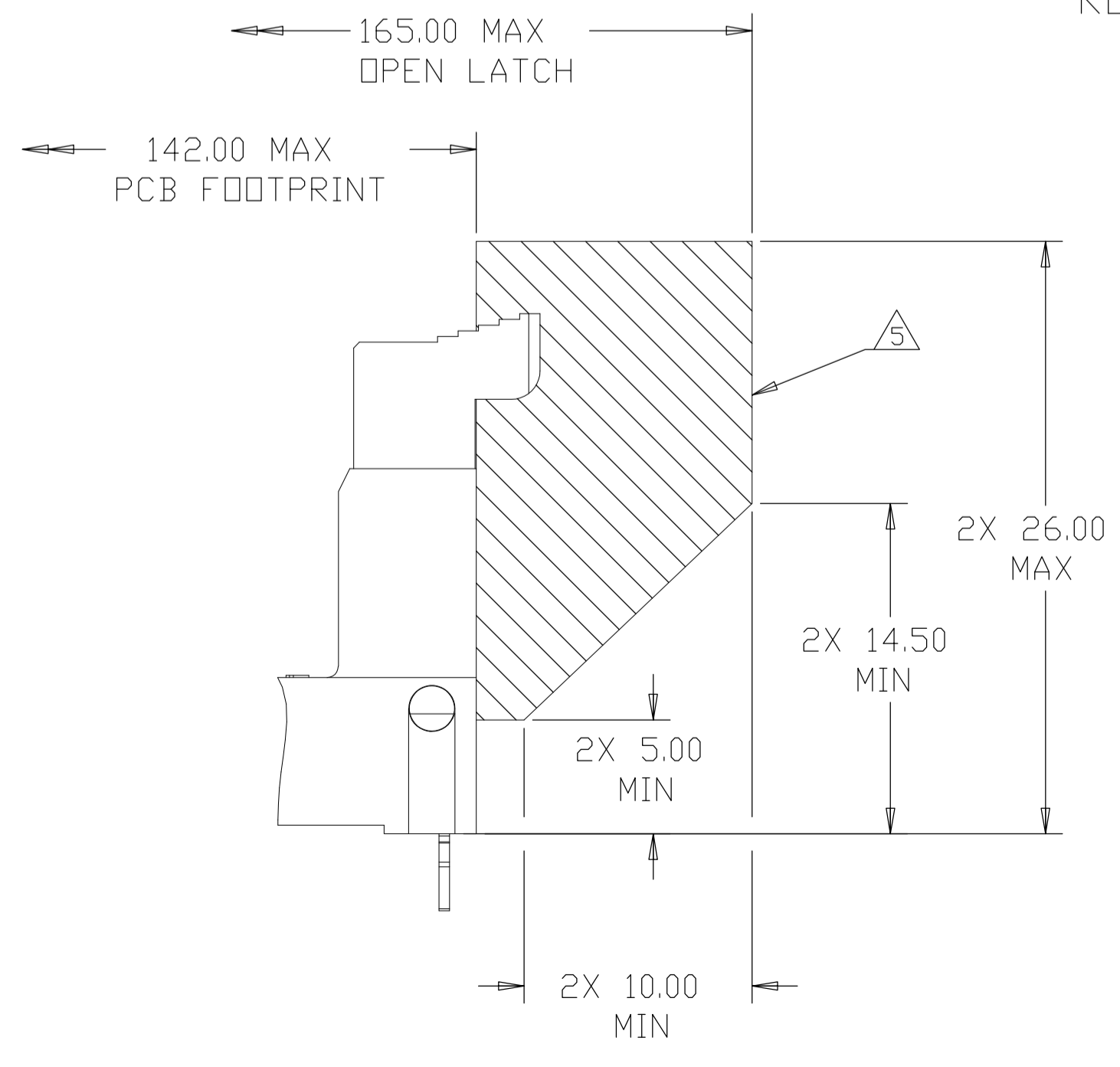
MAX COMPONENT HEIGHT IN EXTRACTOR SHADOW AREA. SEE RECOMMENDED PCB LAYOUT.

2.67±0.25 FOR 1.60 (.063") THK PCB
 3.18±0.25 FOR 2.36 (.093") THK PCB
 4.00±0.25 FOR 3.18 (.125") THK PCB

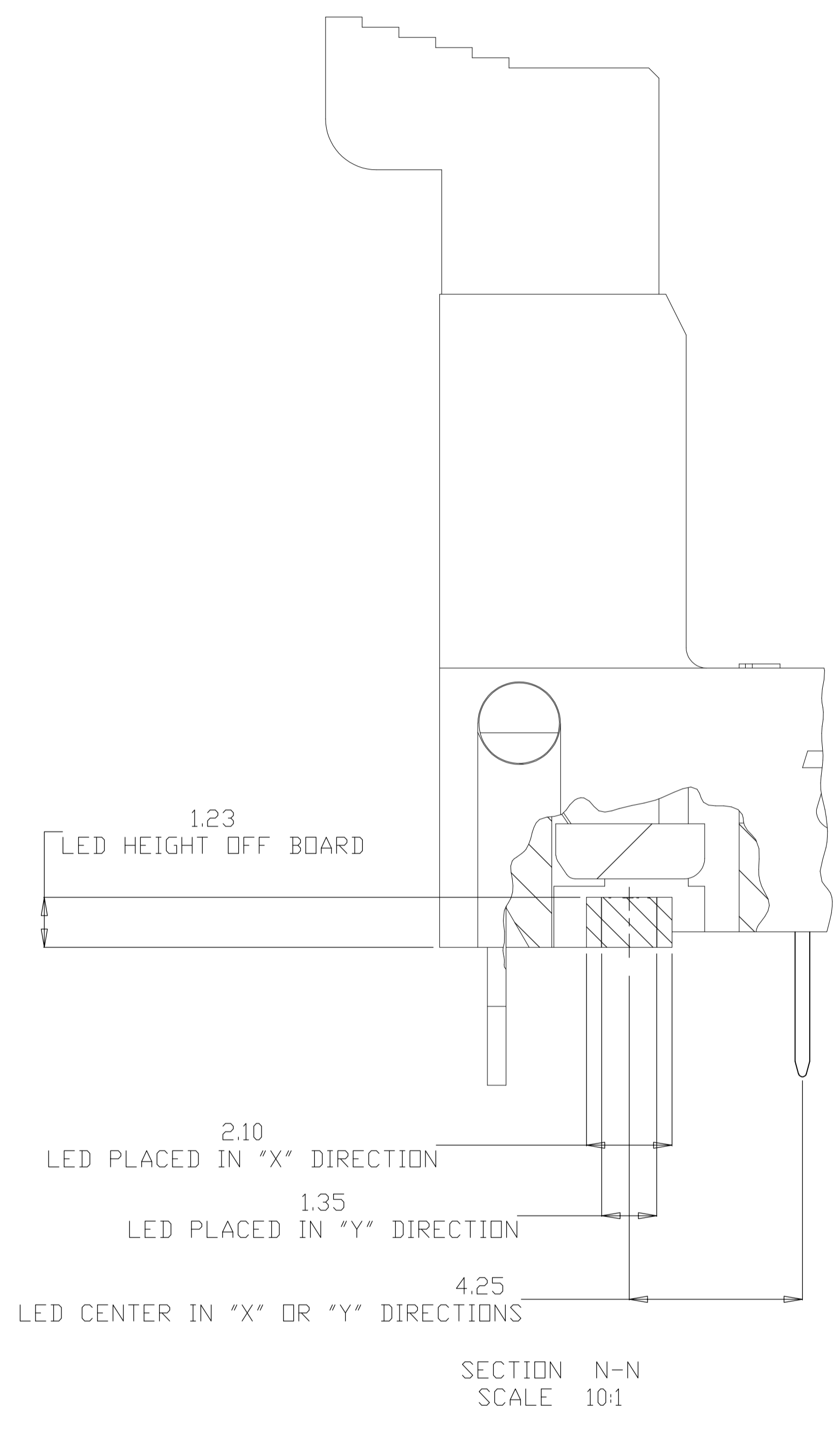
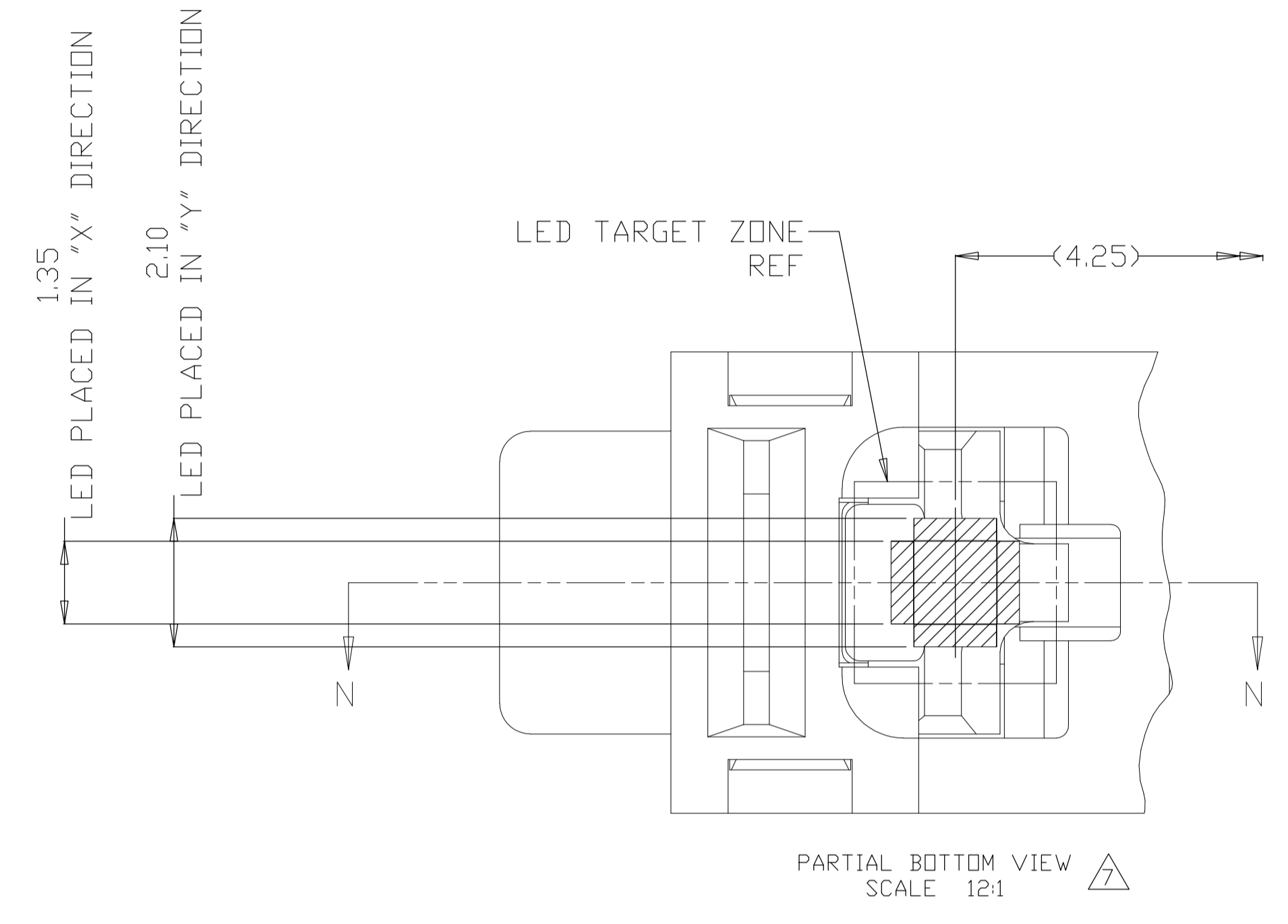
RETENTION BARB TYPE SHOWN ON ALL SHEET UNLESS OTHERWISE NOTED

PLEASE CHECK SHEET 2 FOR PART LIST

- MATERIALS:**
 HOUSING: HIGH TEMPERATURE NYLON, UL94 V-0
 EXTRACTOR: HIGH TEMPERATURE NYLON, UL94 V-0
 CONTACTS: COPPER ALLOY
 RETENTION BARB: BRASS, TIN PLATED
- INTERFACE FINISH:**
 (1) 0.00038 MIN THK GOLD OVER 0.00127 MIN THK NICKEL.
 (2) 0.00008 MIN THK GOLD OVER 0.00127 MIN THK NICKEL.
 (3) 0.00076 MIN THK GOLD OVER 0.00127 MIN THK NICKEL.
 (4) 0.00051 MIN THK GOLD OVER 0.00127 MIN THK NICKEL.
- FINISHED HOLE SIZE. 0.15 MAXIMUM ANNULAR RING.**
- KEEP OUT ZONE.**
- KEEP OUT AREA RESERVED FOR SOCKET EXTRACTORS, BOTH ENDS.**
- SOLDERTAIL FINISH:**
 0.00300 MIN THK MATTE TIN OVER 0.00127 MIN THK NICKEL.
- LED LOCATION AS APPLICABLE PER CUSTOMER.**
- DATUM [-G-] IS CONNECTOR SIDE SURFACE OF PCB.**



THIS DRAWING IS A CONTROLLED DOCUMENT.		DWN: SANDERS YAN 21AUG2007 CHK: LEO ZHOU 21AUG2007 APVD: STEVEN YAO 21AUG2007		TE Connectivity	
DIMENSIONS: mm 0. PLC ± - 1. PLC ± 0.5 2. PLC ± 0.13 3. PLC ± 0.013 4. PLC ± 0.0001 ANGLES ± -	TOLERANCES UNLESS OTHERWISE SPECIFIED:	NAME: SOCKET ASSEMBLY, VERTICAL DDR3 DIMM, SOLDER TAIL, 240 POSITION, LOWER RESISTANCE TYPE PRODUCT SPEC: 108-60071 APPLICATION SPEC: 114-13154 SIZE: A1 CAGE CODE: 00779		DRAWING NO: 1932031 CUSTOMER DRAWING	
MATERIAL:		WEIGHT: -		RESTRICTED TO:	
		SCALE: 4:1		SHEET 1 OF 4 REV C8	



RETENTION BARB	NATURAL	BLUE<2935U>	0.00038 MIN <15u''>	2.67	6-1932031-2
	BLACK	BLACK	0.00051 MIN <20u''>	2.67	6-1932031-1
	NATURAL	BLACK	0.00051 MIN <20u''>	2.67	6-1932031-0
	NATURAL	NATURAL	0.00076 MIN <30u''>	3.18	5-1932031-9
		BLUE<2935U>	0.00038 MIN <15u''>	3.18	5-1932031-8
	BLACK	BLACK	0.00076 MIN <30u''>	4.00	5-1932031-2
				3.18	5-1932031-1
	NATURAL	BLUE<284C>	0.00038 MIN <15u''>	3.18	4-1932031-9
		BLACK		3.18	4-1932031-7
	NATURAL	GREEN<368C>	0.00038 MIN <15u''>	3.18	3-1932031-4
	NATURAL	BLUE<284C>	0.00038 MIN <15u''>	3.18	2-1932031-6
				2.67	2-1932031-5
	BLACK	BLACK	0.00008 MIN <3u''>	4.00	1-1932031-6
				4.00	1-1932031-5
	NATURAL	BLACK	0.00038 MIN <15u''>	4.00	1-1932031-2
				3.18	1-1932031-1
2.67				1-1932031-0	
NATURAL	NATURAL	0.00008 MIN <3u''>	2.67	1932031-7	
			3.18	1932031-5	
NATURAL	NATURAL	0.00038 MIN <15u''>	2.67	1932031-4	
HOUSING STYLE	EXTRACTOR COLOR	HOUSING COLOR	CONTACT GOLD INTERFACE	TAIL LENGTH	PART NUMBER

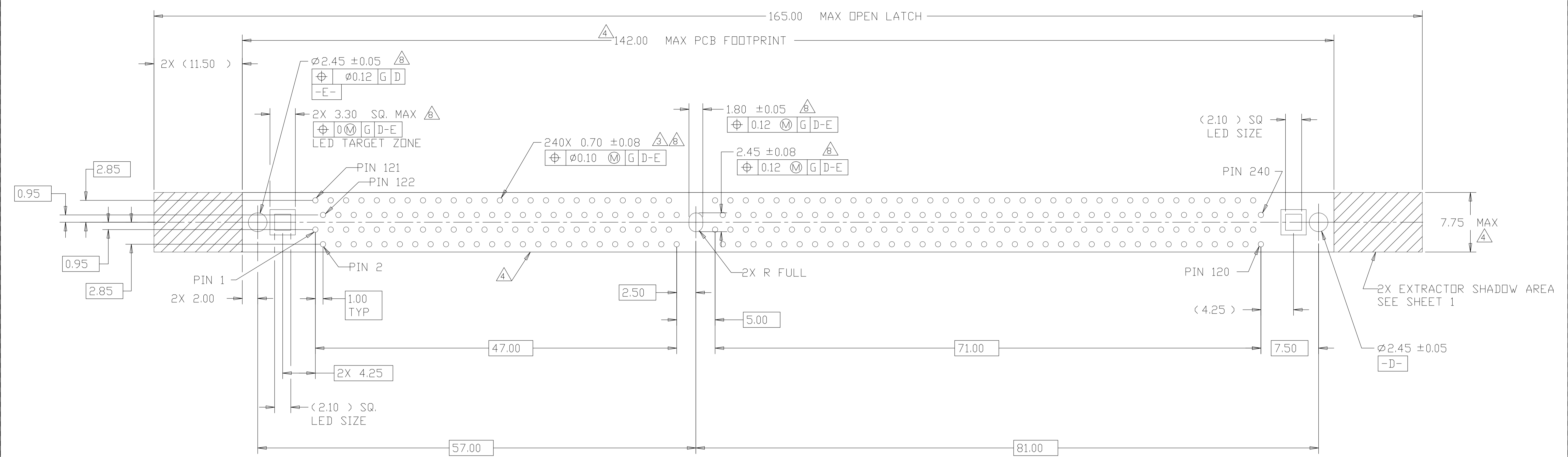
THIS DRAWING IS A CONTROLLED DOCUMENT.

DMN SANDERS YAN 21AUG2007	APVD STEVEN YAO 21AUG2007	NAME	RESTRICTED TO
CHK LEO ZHOU 21AUG2007	NAME	SIZE	SCALE
PRODUCT SPEC	108-60071	114-13154	4:1
APPLICATION SPEC	114-13154	100779	2 OF 4
MATERIAL	FINISH	WEIGHT	REV C8

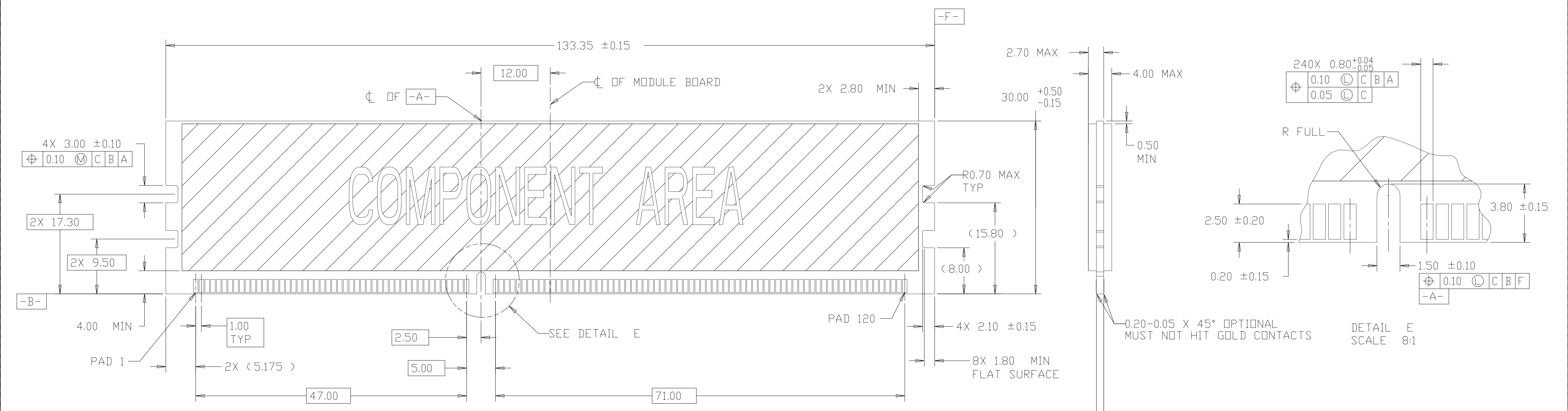
SOCKET ASSEMBLY, VERTICAL DDR3 DIMM, SOLDER TAIL, 240 POSITION, LOWER RESISTANCE TYPE

STE TE Connectivity

CUSTOMER DRAWING SCALE 4:1 SHEET 2 OF 4 REV C8

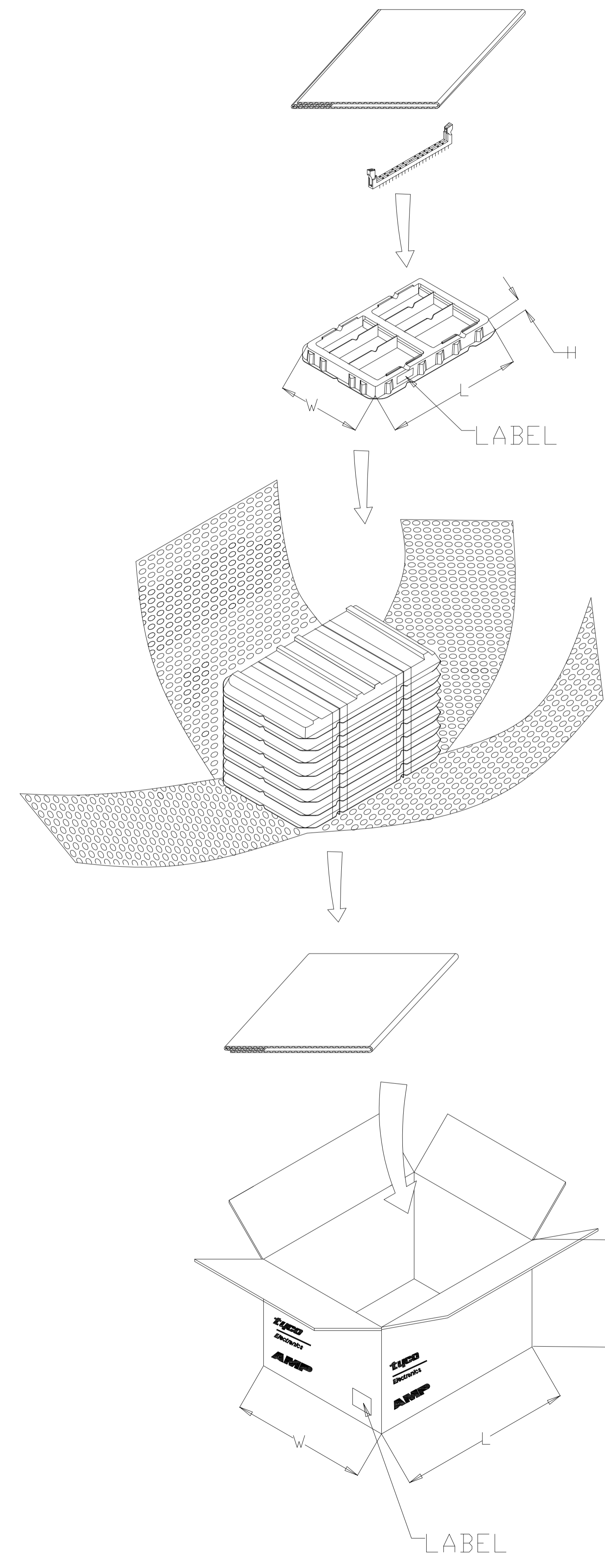


RECOMMENDED PCB LAYOUT VIEWED FROM CONNECTOR SIDE



RECOMMENDED MODULE LAYOUT SCALE 3:1 REFER TO JEDEC MD-269 FOR COMPLETE MODULE DETAILS

THIS DRAWING IS A CONTROLLED DOCUMENT.		DIN SANDERS YAN 21AUG2007		TE Connectivity	
DIMENSIONS: mm		CHK LEO ZHOU 21AUG2007			
TOLERANCES UNLESS OTHERWISE SPECIFIED:		APVD STEVEN YAO 21AUG2007		NAME SOCKET ASSEMBLY, VERTICAL DDR3 DIMM, SOLDER TAIL, 240 POSITION, LOWER RESISTANCE TYPE	
0. PLC ± -	1. PLC ± 0.50	PRODUCT SPEC 108-60071		APPLICATION SPEC	
2. PLC ± 0.13	3. PLC ± 0.013	CAGE CODE DRAWING NO 114-13154		SIZE A1	
4. PLC ± 0.0001	ANGLES ± -	WEIGHT		SCALE 4:1	
MATERIAL FINISH		CUSTOMER DRAWING		SHEET 3 OF 4	



BOTTOM TRAY

TRAY

CARTON

NOTES:

1. MATERIAL:
 - 1.1 TRAY: PVC
 - 1.2 SHIPPING CARTON : CORRUGATED FIBERBOARD
2. DIMENSION :
 - 2.1 TRAY : L=363, W=255, H=33
 - 2.2 SHIPPING CARTON : L=375, W=265, H=280
3. QUANTITY :
 - 3.1 PRIMARY PACKING : 50 PCS/TRAY
 - 3.2 SECONDARY PACKING : 8 TRAY/CARTON(400PCS)
4. WEIGHT :
 - 4.1 NET WEIGHT : 3.76 KG
 - 4.2 GROSS WEIGHT: 6.00 KG

THIS DRAWING IS A CONTROLLED DOCUMENT.		DRN SANDERS YAN 21AUG2007	TE Connectivity
DIMENSIONS: mm		CHK LEO ZHOU 21AUG2007	
TOLERANCES UNLESS OTHERWISE SPECIFIED:		APVD STEVEN YAO 21AUG2007	NAME
0. PLC ± -		PRODUCT SPEC	SOCKET ASSEMBLY,
1. PLC ± 0.50		108-60071	VERTICAL DDR3 DIMM,SOLDER TAIL,
2. PLC ± 0.13		APPLICATION SPEC	240 POSITION,LOWER RESISTANCE TYPE
3. PLC ± 0.013		114-13154	SIZE CAGE CODE DRAWING NO
4. PLC ± 0.0001		WEIGHT	A1 00779 C=1932031
ANGLES ± -		CUSTOMER DRAWING	RESTRICTED TO
MATERIAL FINISH		SCALE --	SHEET 4 OF 4 REV C8

单击下面可查看定价，库存，交付和生命周期等信息

[>>TE Connectivity\(泰科\)](#)